

Getting Started

It is recommended to first read **Tutorial.pdf** in the unzipped folder you created.

Get Support and Offer Input

Freenove provides free and responsive product and technical support, including but not limited to:

- Product quality issues
- Product use and build issues
- Questions regarding the technology employed in our products for learning and education
- Your input and opinions are always welcome
- We also encourage your ideas and suggestions for new products and product improvements

For any of the above, you may send us an email to:

support@freenove.com

Safety and Precautions

Please follow the following safety precautions when using or storing this product:

- Keep this product out of the reach of children under 6 years old.
- This product should be **used only when there is adult supervision present** as young children lack necessary judgment regarding safety and the consequences of product misuse.
- This product contains small parts and parts, which are sharp. This product contains electrically conductive parts. **Use caution with electrically conductive parts near or around power supplies, batteries and powered (live) circuits.**
- When the product is turned ON, activated or tested, some parts will move or rotate. **To avoid injuries to hands and fingers keep them away from any moving parts!**
- It is possible that an improperly connected or shorted circuit may cause overheating. **Should this happen, immediately disconnect the power supply or remove the batteries and do not touch anything until it cools down!** When everything is safe and cool, review the product tutorial to identify the cause.
- Only operate the product in accordance with the instructions and guidelines of this tutorial, otherwise parts may be damaged or you could be injured.
- Store the product in a cool dry place and avoid exposing the product to direct sunlight.
- After use, always turn the power OFF and remove or unplug the batteries before storing.

About Freenove

Freenove provides open source electronic products and services worldwide.

Freenove is committed to assist customers in their education of robotics, programming and electronic circuits so that they may transform their creative ideas into prototypes and new and innovative products. To this end, our services include but are not limited to:

- Educational and Entertaining Project Kits for Robots, Smart Cars and Drones
- Educational Kits to Learn Robotic Software Systems for Arduino, Raspberry Pi and micro:bit
- Electronic Component Assortments, Electronic Modules and Specialized Tools
- **Product Development and Customization Services**

You can find more about Freenove and get our latest news and updates through our website:

<http://www.freenove.com>

Copyright

All the files, materials and instructional guides provided are released under [Creative Commons Attribution-NonCommercial-ShareAlike 3.0 Unported License](#). A copy of this license can be found in the folder containing the Tutorial and software files associated with this product.



This means you can use these resource in your own derived works, in part or completely but **NOT for the intent or purpose of commercial use.**

Freenove brand and logo are copyright of Freenove Creative Technology Co., Ltd. and cannot be used without written permission.



Raspberry Pi® is a trademark of Raspberry Pi Foundation (<https://www.raspberrypi.org/>).

Contents

Contents	I
Chapter 0 Processing	1
Install Processing Software	1
First Use	3
Chapter 1 LED	5
Project 1.1 Blink.....	5
Project 1.2 MouseLED.....	11
Chapter 2 LED Bar Graph	13
Project 2.1 FollowLight	13
Chapter 3 PWM	17
Project 3.1 BreathingLED.....	17
Chapter 4 RGBLED.....	23
Project 4.1 Multicolored LED	23
Chapter 5 Buzzer.....	30
Project 5.1 ActiveBuzzer	30
Chapter 6 ADC Module	34
Project 6.1 Voltmeter	34
Chapter 7 ADC & LED	43
Project 7.1 SoftLight.....	43
Project 7.2 NightLamp.....	49
Chapter 8 Thermistor	52
Project 8.1 Thermometer	52
Chapter 9 Motor & Driver	58
Project 9.1 Motor.....	58
Chapter 10 74HC595 & LED Bar Graph	67
Project 10.1 FollowLight.....	67
Chapter 11 74HC595 & Seven-segment display.....	73
Project 11.1 Seven -segment display.....	73
Project 11.2 4-digit Seven-segment display.....	79
Chapter 12 74HC595 & LED Matrix	86
Project 12.1 LED Matrix	86
Chapter 13 I2C-LCD1602.....	95
Project 13.1 LCD	95
Chapter 14 Joystick.....	101
Project 14 Joystick.....	101
Chapter 15 Relay & Motor.....	108
Project 15.1 Relay & Motor	108
Chapter 16 Stepper Motor	116
Project 16.1 Stepper Motor	116
Chapter 17 Matrix Keypad	125
Project 17.1 Calculator.....	125

Chapter 18 Infrared Motion Sensor	133
Project 18.1 Sense LED.....	133
App 1 Oscilloscope	137
App 1.1 Oscilloscope.....	137
App 2 Control Graphics	141
App 2.1 Ellipse.....	141
App 3 Pong Game	145
App 3.1 Pong Game.....	145
App 4 Snake Game	151
App 4.1 Snake Game.....	151
App 5 Tetris Game	156
App 5.1 Tetris Game.....	156
What's Next?	161

Chapter 0 Processing

Processing is a software used to write programs that can run on computers. Processing software is free and open source running on the Mac, Windows, and GNU/Linux platforms, which is the same as Arduino software. In fact, the development of Arduino software is based on Processing software, and they still have similar interface.

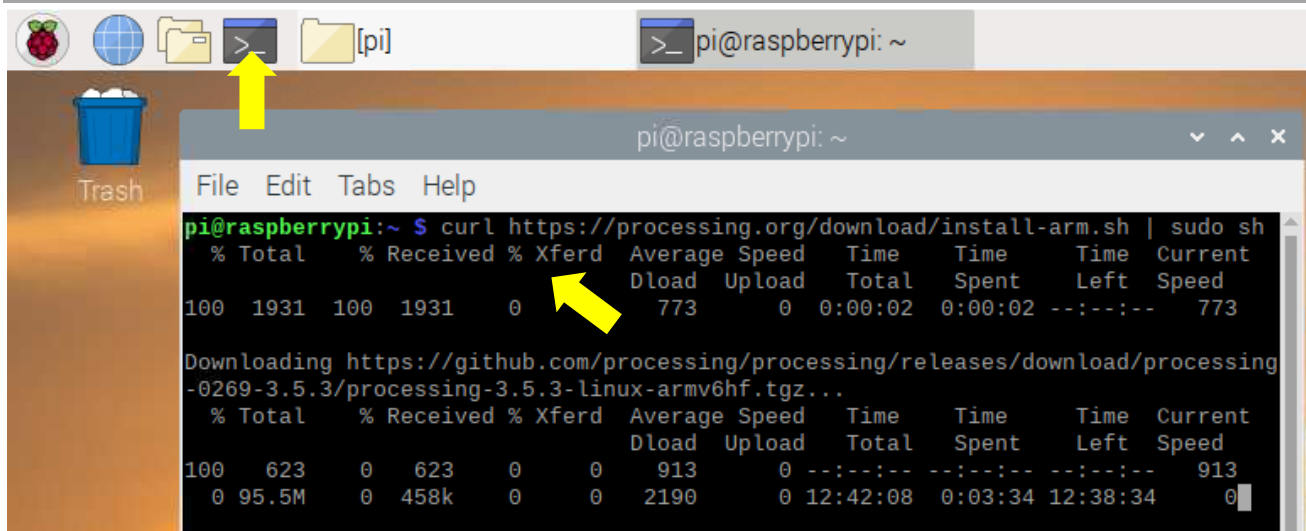
Programs written with Processing are also called sketches, and Java is the default language. Java language and C++ language have many similarities, so readers who have learned our basic tutorial are able to understand and write simple Processing sketches quickly.

This tutorial will introduce how to install and use processing software on Raspberry Pi through some electronic circuit projects. Chapters and sequence in this tutorial are basically the same as those in the C and python language tutorial. Our elaborate electronic circuits and interactive project with Processing are attached at the end, including virtual instruments, games (2D and 3D versions), etc.

Install Processing Software

Processing software / Processing Development Environment (PDE) makes it easy to write Processing programs. First install Processing software: type the following command in the terminal to start installation:

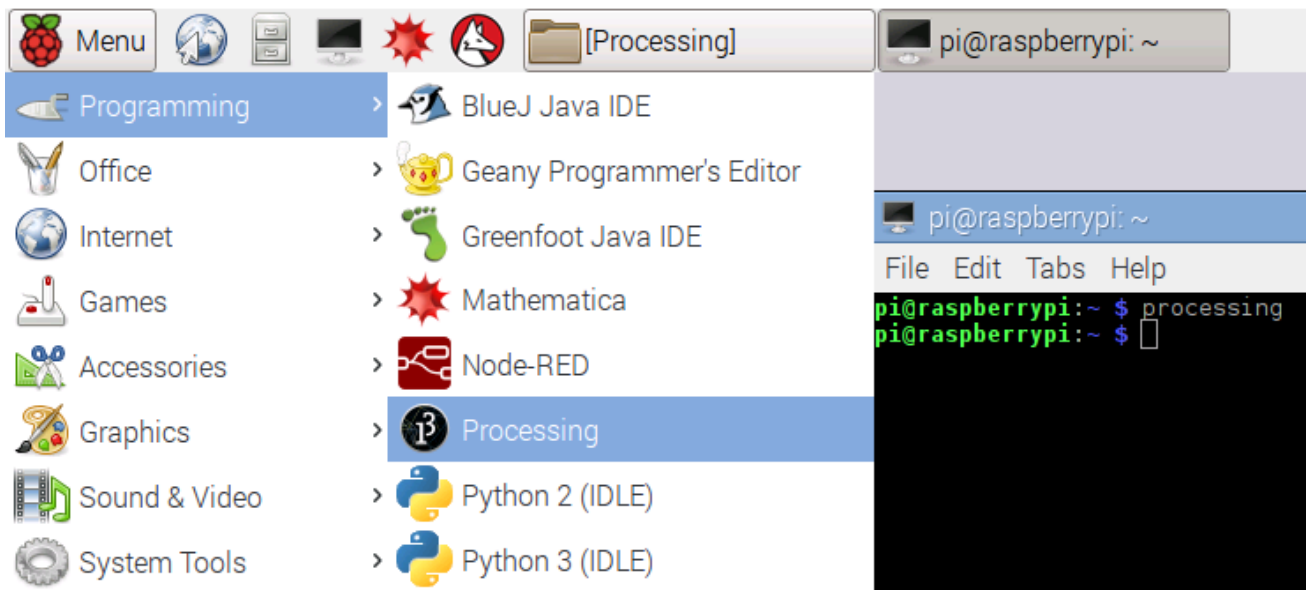
```
curl https://processing.org/download/install-arm.sh | sudo sh
```



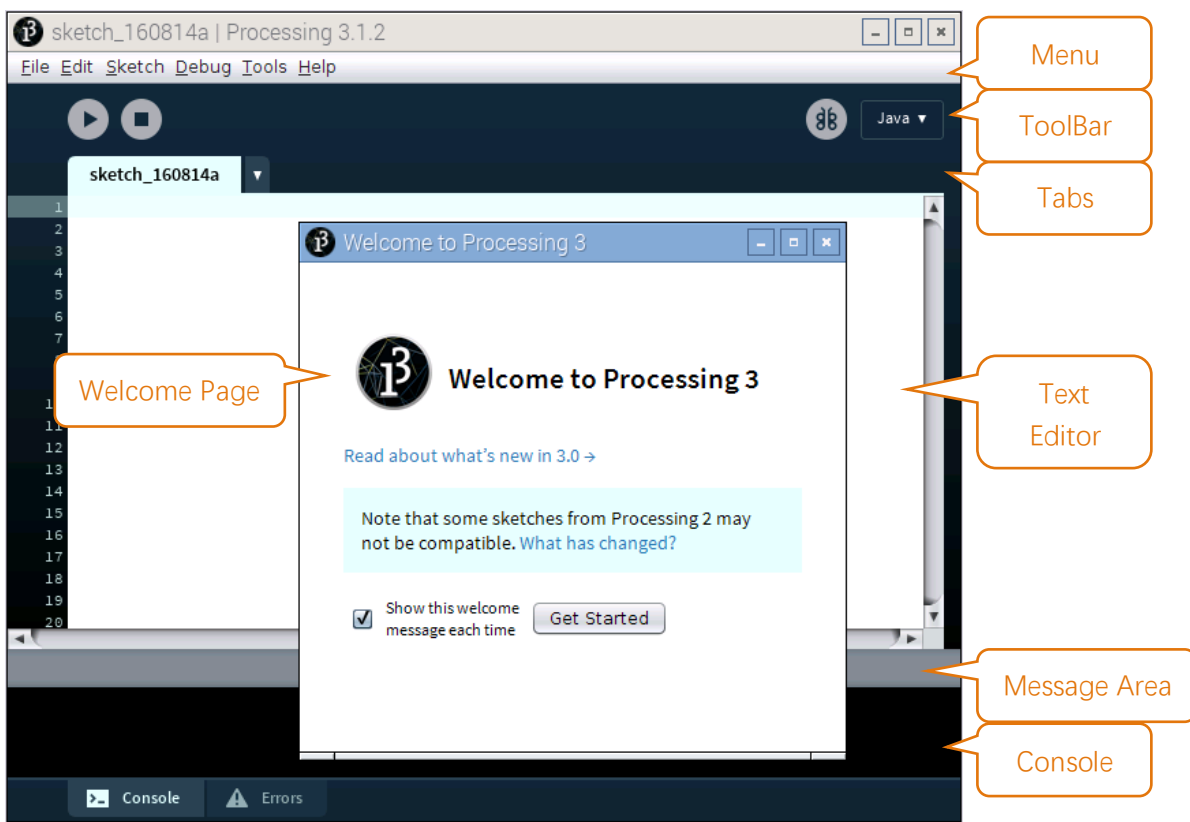
Ensure that your RPi always has the Internet to access during the installation process.

You can also download and install the software by visiting the official website <https://processing.org/>.

After the installation is completed, you can enter the "processing" to open processing software in any directory of the terminal, or open the software processing in the start menu of the system, as shown below:



Interface of processing software is shown below:



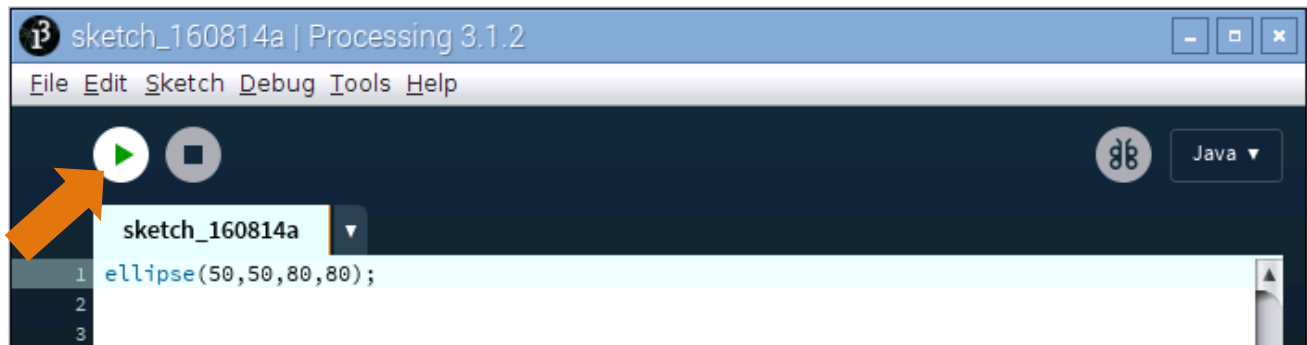
You're now running the Processing Development Environment (or PDE). There's not much to it; the large area is the Text Editor, and there's a row of buttons across the top; this is the toolbar. Below the editor is the Message Area, and below that is the Console. The Message Area is used for one line messages, and the Console is used for more technical details.

First Use

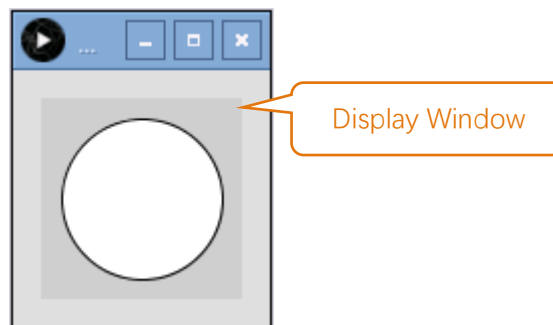
In the editor, type the following:

```
1 ellipse(50, 50, 80, 80);
```

This line of code means "draw an ellipse, with the center 50 pixels over from the left and 50 pixels down from the top, with a width and height of 80 pixels." Click the Run button (the triangle button in the Toolbar).

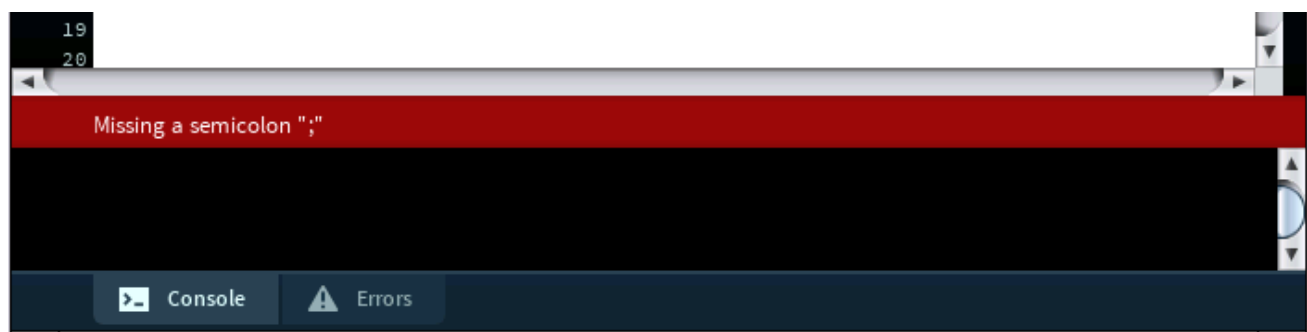


If you've typed everything correctly, you'll see a circle on your screen.

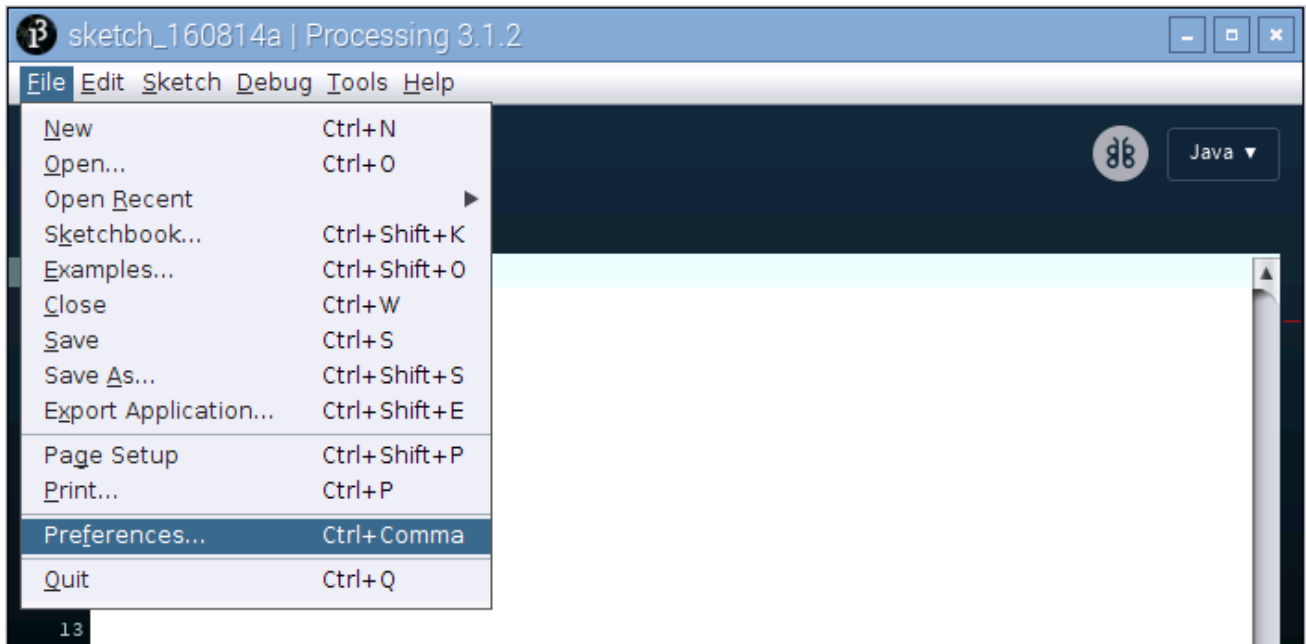


Click on "Stop" (the rectangle button in the Toolbar) or "Close" on Display Window to stop running the program.

If you didn't type it correctly, the Message Area will turn red and report an error. If this happens, make sure that you've copied the example code exactly: the numbers should be contained within parentheses and have commas between each of them, and each line should end with a semicolon.



You can export this sketch to an application to run it directly without opening the Processing. To export the sketch to the application, you must first save it.



So far, we have completed the first use. I believe you have felt the joy of it.

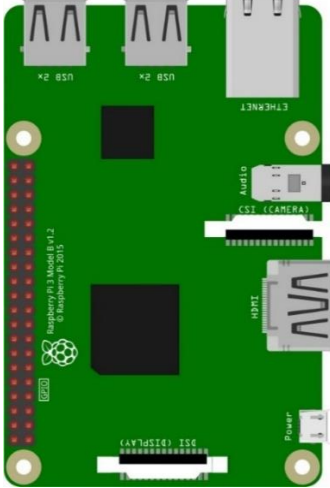
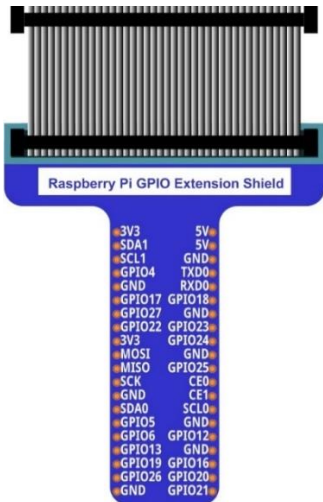
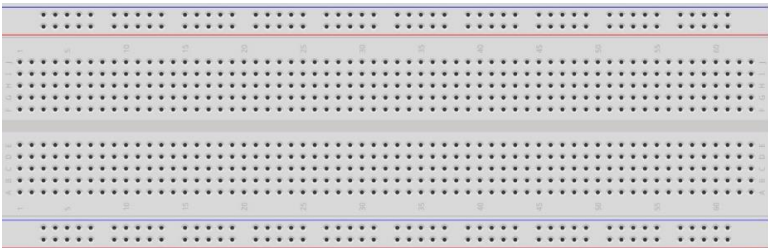



Chapter 1 LED

We will still start from Blink LED in this chapter, and also learn the usage of some commonly used functions of Processing Software.

Project 1.1 Blink

In this project, we will make a Blink LED and let Display window of Processing Blink at the same time.

Component List

<p>Raspberry Pi x1</p> 	<p>GPIO Extension Board & Wire x1</p> 	
<p>Breadboard x1</p> 		
<p>LED x1</p> 	<p>Resistor 220Ω x1</p> 	<p>Jumper Wire M/M x2</p> 

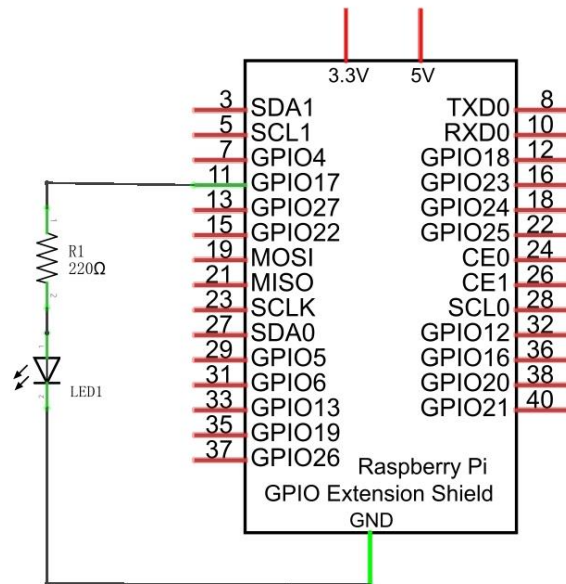
In the components list, Raspberry Pi, GPIO Extension Shield and Breadboard are necessary for each experiment. They will be listed only in text form.

Circuit

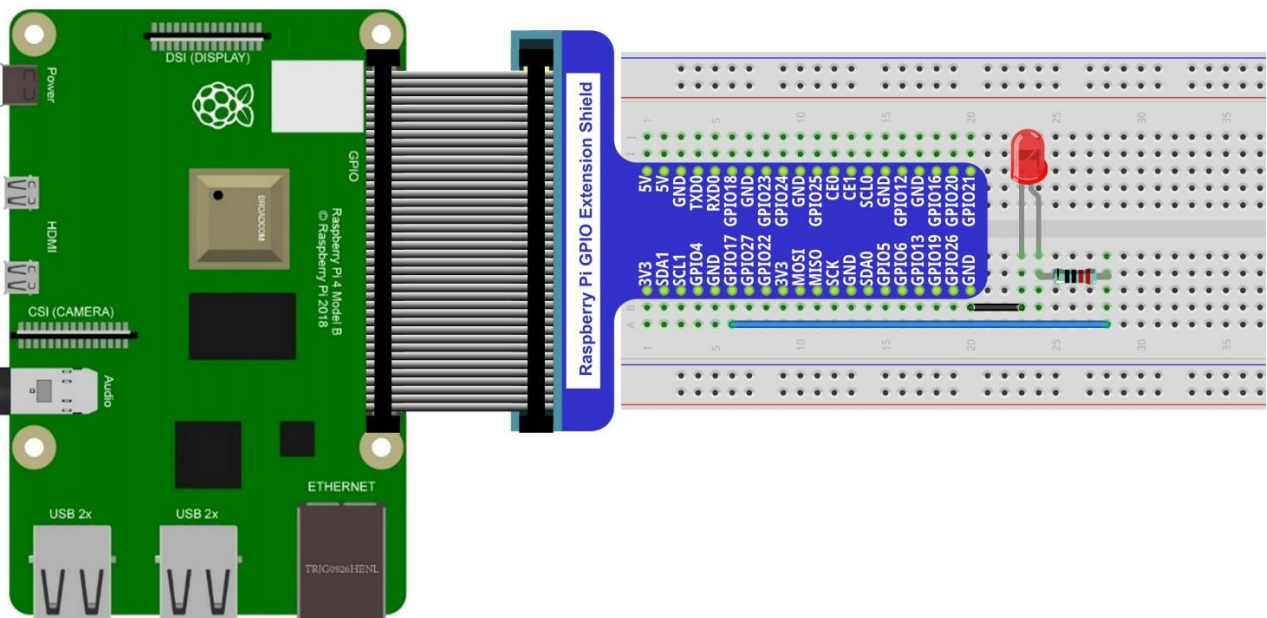
Build the circuit according to the circuit and hardware diagrams. After the circuit is built and verified correct, connect the RPi to GPIO Extension Shield. CAUTION: Avoid any possible short circuits (especially connecting 5V or GND, 3.3V and GND)!

WARNING: A short circuit can cause high current in your circuit, create excessive component heat and cause permanent damage to your RPi!

Schematic diagram



Hardware connection



Because the numbering of the GPIO Extension Shield is the same as that of the RPi GPIO, future hardware connection diagrams will only show that part of breadboard and GPIO Extension Shield.

Sketch

Sketch 1.1.1 Blink

Because the resource folder name is too long, for convenience, the folder will be named as "Freenove_Kit". If you have already renamed it, skip this command. Assume the absolute path is "/ home / pi" or "~ /", execute the following command in the user directory.

```
mv Freenove_Ultimate_Starter_Kit_for_Raspberry_Pi/ Freenove_Kit/
```

First, observe the result after running the sketch, and then learn about the code in detail.

1. Use Processing to open the file Sketch_01_1_1_Blink. (The following is only one line of command. There is a Space after Processing.)

```
Processing ~/Freenove_Kit/Processing/Sketches/Sketch_01_1_1_Blink/Sketch_01_1_1_Blink.pde
```

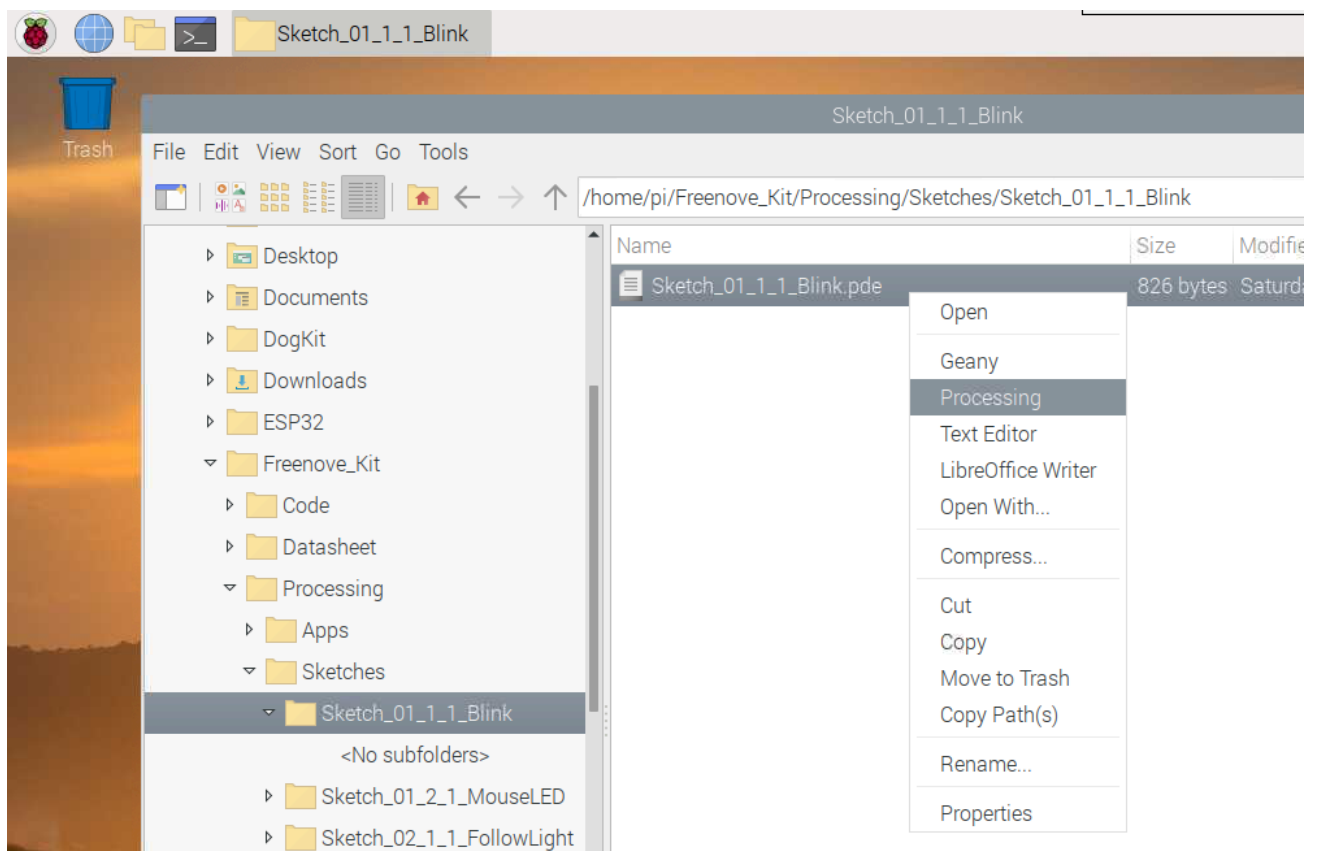
2. Click on "RUN" to run the code.

You can also open it as follows.

Click Raspberry Pi file manager. Find the file under path:

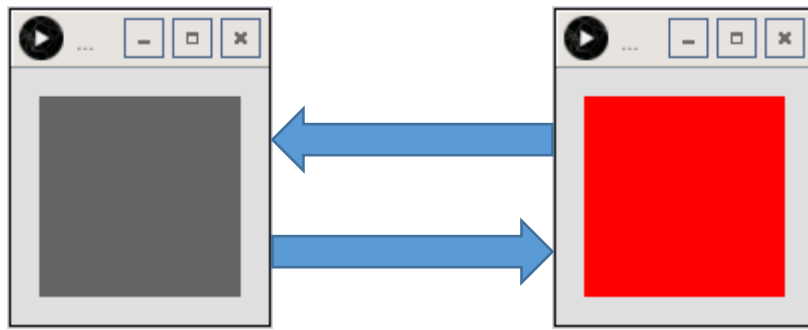
/home/pi/Freenove_Kit/Processing/Sketches/Sketch_01_1_1_Blink

And then right-click it and select Processing.



After the program is executed, LED will start Blinking and the background of Display window will change with

the change of LED state.



The following is program code:

```

1  import processing.io.*;
2
3  int ledPin = 17;    //define ledPin
4  boolean ledState = false; //define ledState
5
6  void setup() {
7    size(100, 100);
8    frameRate(1);    //set frame rate
9    GPIO.pinMode(ledPin, GPIO.OUTPUT); //set the ledPin to output mode
10 }
11
12 void draw() {
13   ledState = !ledState;
14   if (ledState) {
15     GPIO.digitalWrite(ledPin, GPIO.HIGH); //led on
16     background(255, 0, 0); //set the fill color of led on
17   } else {
18     GPIO.digitalWrite(ledPin, GPIO.LOW); //led off
19     background(102); //set the fill color of led off
20   }
21 }

```

Processing code usually have two functions: setup() and draw(), where the function setup() is only executed once while the function draw() will be executed repeatedly. In the function setup(), size(100, 100) specifies the size of the Display Window to 100x100pixl. FrameRate(1) specifies the refresh rate of Display Window to once per second, which means the draw() function will be executed once per second. GPIO.pinMode (ledPin, GPIO.OUTPUT) is used to set ledPin to output mode.

```

void setup() {
  size(100, 100);
  frameRate(1);    //set frame rate
  GPIO.pinMode(ledPin, GPIO.OUTPUT); //set the ledPin to output mode
}

```

In draw() function, each execution will invert the variable "ledState". When "ledState" is true, LED is turned ON,

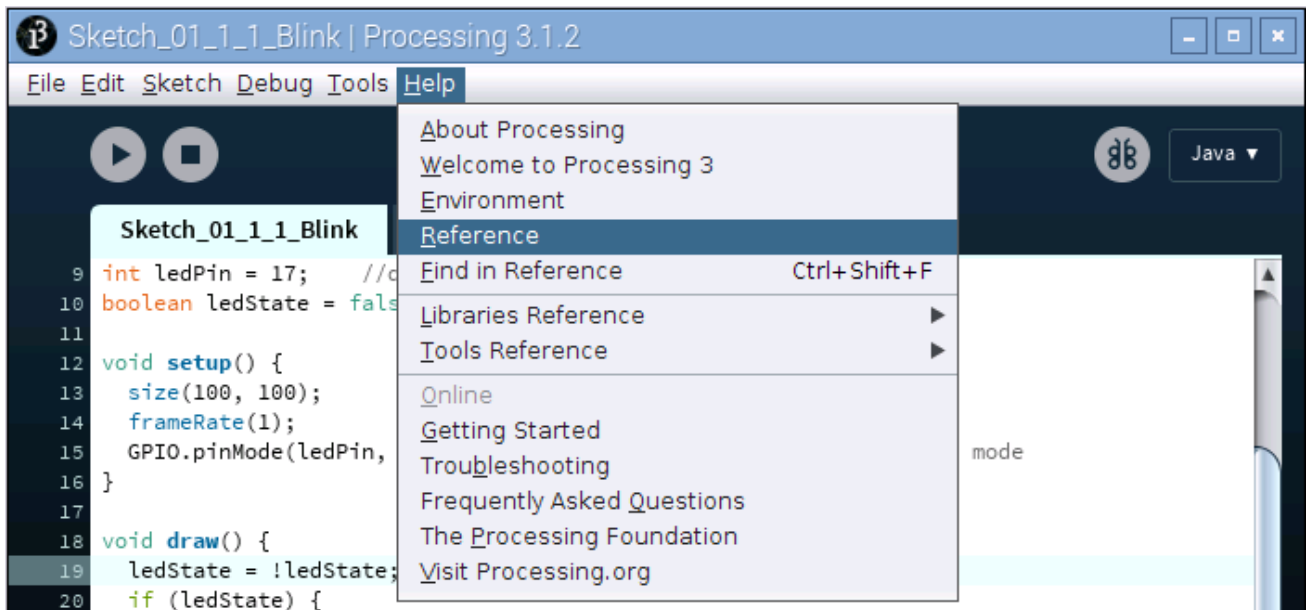
and the background color of display window is set to red. And when the “ledState” is false, the LED is turned OFF and the background color of display window is set to gray. Since the function draw() is executed once per second, the background color of Display Window and the state of LED will also change once per second. This process will repeat in an endless loop to achieve the effect of blinking.

```
void draw() {
  ledState = !ledState;
  if (ledState) {
    GPIO.digitalWrite(ledPin, GPIO.HIGH); //led on
    background(255, 0, 0); //set the fill color of led on
  } else {
    GPIO.digitalWrite(ledPin, GPIO.LOW); //led off
    background(102); //set the fill color of led off
  }
}
```

The following is brief descriptions of some functions:

setup()	The setup() function is run once when the program starts.
draw()	It is called directly after the setup() function. The draw() function continuously executes the lines of code within its block until the program stops or noLoop() is called. draw() is called automatically and should never be called explicitly.
size()	Defines width and height of the display window in pixels.
framerate()	Specifies the number of frames to be displayed every second.
background()	Set the color of the background of the display window.
GPIO.pinMode()	Configures a pin to act either as input or output.
GPIO.digitalWrite()	Sets an output pin to be either high or low.

All functions used in this code can be found in the Reference of Processing Software, in which built-in functions are described in details, and there are some sample programs. It is recommended that beginners learn more about usage and function of those functions. The localization of Reference can be opened with the following steps: click the menu bar "Help" → "Reference".



Then the following page will be displayed in the web browser:



Or you can directly access to the official website for reference: <http://processing.org/reference/>

Project 1.2 MouseLED

In this project, we will use the mouse to control the state of LED.

The components and circuits of this project are the same as the previous section.

Sketch

Sketch 1.2.1 MouseLED

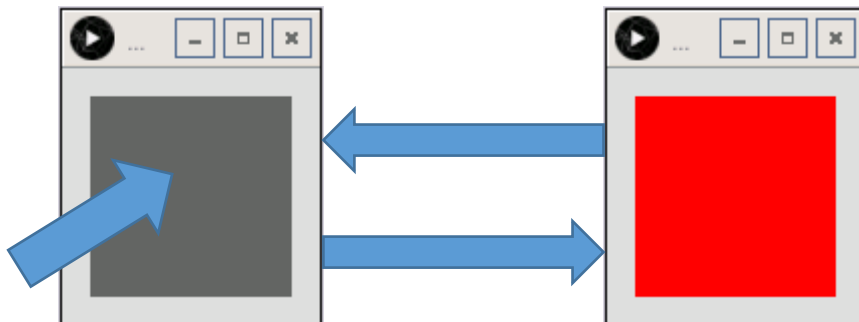
First, observe the result after running the sketch, and then learn the code in detail.

1. Use Processing to open the file Sketch_01_2_1_MouseLED.

```
processing
~/Freenove_Kit/Processing/Sketches/Sketch_01_2_1_MouseLED/Sketch_01_2_1_MouseLED.pde
```

2. Click on "RUN" to run the code.

After the program is executed, the LED is in OFF-state, and background color of Display window is gray. Click the grey area of the Display Window with the mouse, LED is turned ON and Display window background color becomes red. Click on the Display Window again, the LED is turned OFF and the background color becomes gray, as shown below.



The following is program code:

```
1  import processing.io.*;
2
3  int ledPin = 17;
4  boolean ledState = false;
5  void setup() {
6      size(100, 100);
7      GPIO.pinMode(ledPin, GPIO.OUTPUT);
8      background(102);
9  }
10
11 void draw() {
12     if (ledState) {
13         GPIO.digitalWrite(ledPin, GPIO.HIGH);
14         background(255, 0, 0);
15     } else {
```

```
16     GPIO.digitalWrite(ledPin, GPIO.LOW);
17     background(102);
18 }
19 }
20
21 void mouseClicked() { //if the mouse Clicked
22     ledState = !ledState; //Change the led State
23 }
```

The function `mouseClicked()` in this code is used to capture the mouse click events. Once the mouse is clicked, the function will be executed. We can change the state of the variable “ledState” in this function to realize controlling LED by clicking on the mouse.

```
void mouseClicked() { //if the mouse Clicked
    ledState = !ledState; //Change the led State
}
```




Chapter 2 LED Bar Graph

We have learned how to control an LED to blink. Next we will learn how to control a number of LEDs.

Project 2.1 FollowLight

In this project, we will use the mouse to control the LED Bar Graph

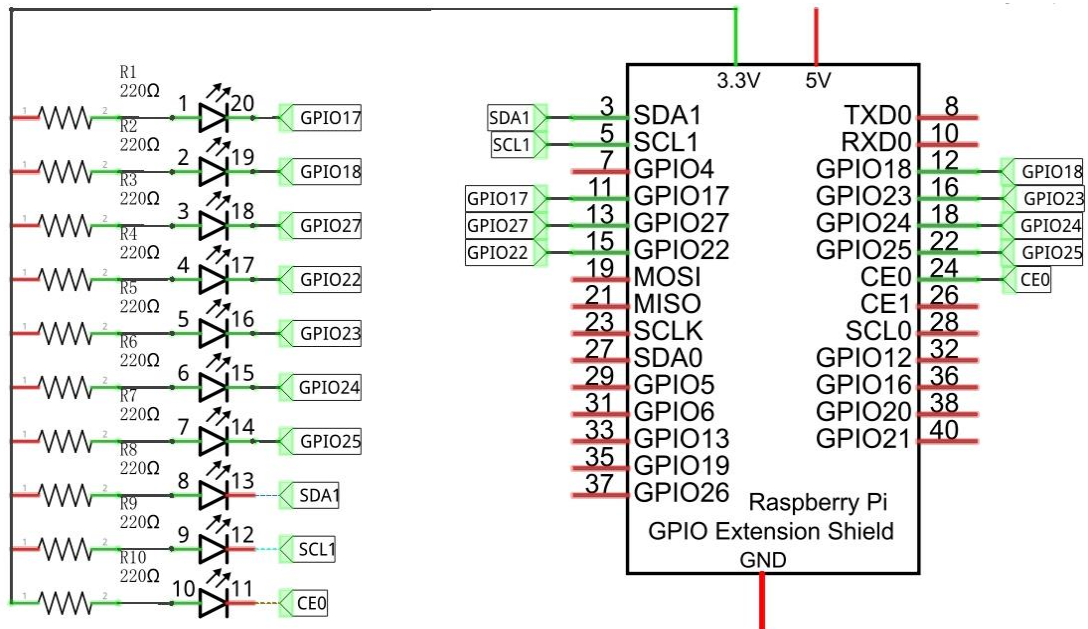
Component List

Raspberry Pi x1 GPIO Extension Board & Wire x1 Breadboard x1	LED bar graph x1 	Resistor 220Ω x10 
Jumper M/M x11 		

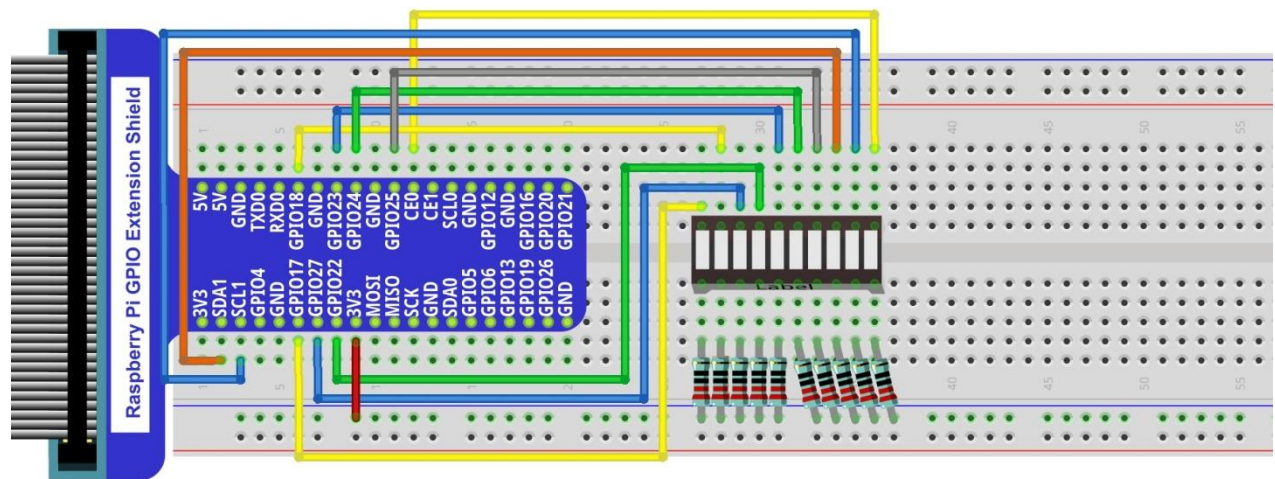
Circuit

A reference system of labels is used in the circuit diagram below, and the pins with the same network label are connected together.

Schematic diagram



Hardware connection



In this circuit, the cathodes of LEDs are connected to the GPIO, which is different from the previous circuit. Therefore, the LEDs turn ON when the GPIO outputs low level in the program.

Sketch

Sketch 2.1.1 FollowLight

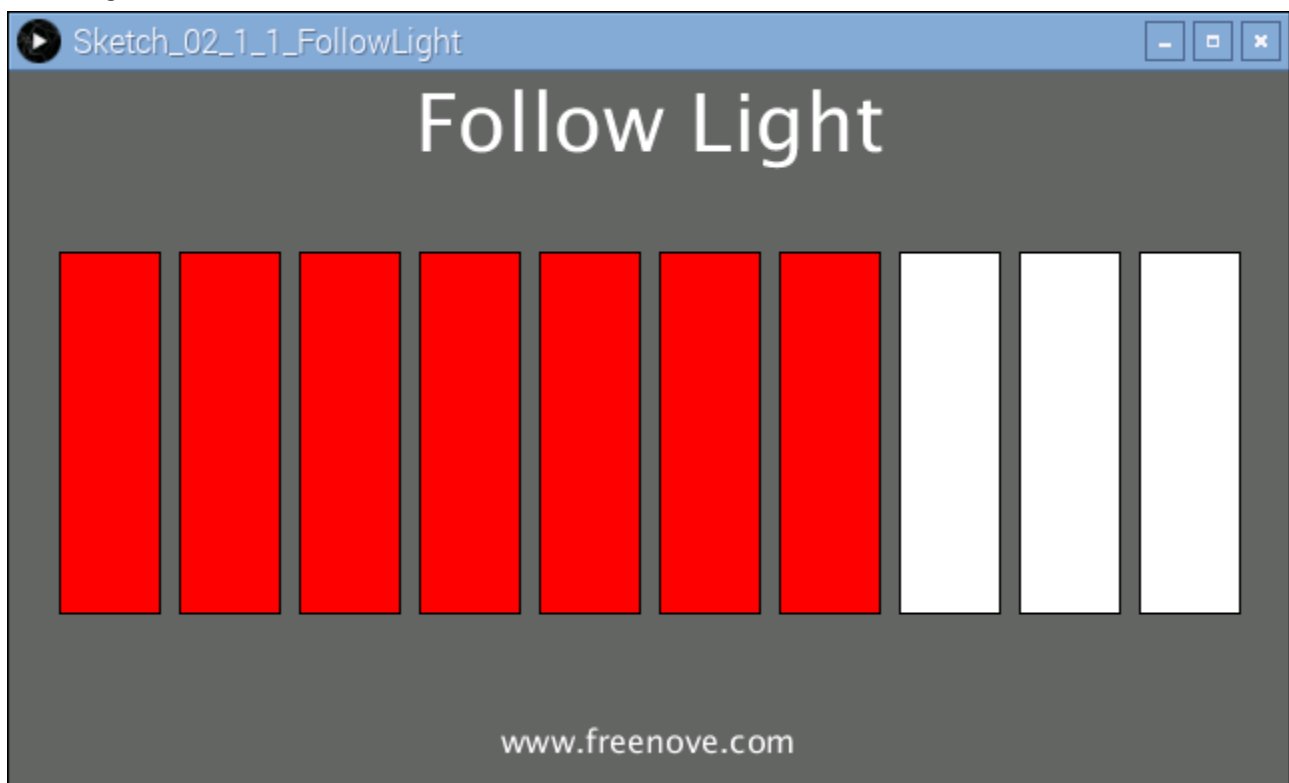
First, observe the result after running the sketch, and then learn about the code in detail.

1. Use Processing to open the file Sketch_02_1_1_FollowLight.

```
processing
~/Freenove_Kit/Processing/Sketches/Sketch_02_1_1_FollowLight/Sketch_02_1_1_FollowLight.pde
```

2. Click on "RUN" to run the code.

After the program is executed, slide the mouse in the Display Window, then the state of LED Bar Graph will be changed, as shown below.



The following is program code:

```
1  import processing.io.*;
2
3  int leds[]={17, 18, 27, 22, 23, 24, 25, 2, 3, 8}; //define ledPins
4
5  void setup() {
6      size(640, 360); //display window size
7      for (int i=0; i<10; i++) { //set led Pins to output mode
8          GPIO.pinMode(leds[i], GPIO.OUTPUT);
9      }
10     background(102);
```

```

11  textAlign(CENTER);    //set the text centered
12  textSize(40);        //set text size
13  text("Follow Light", width / 2, 40);    //title
14  textSize(16);
15  text("www.freenove.com", width / 2, height - 20);    //site
16  }
17
18  void draw() {
19    for (int i=0; i<10; i++) {    //draw 10 rectangular box
20      if (mouseX>(25+60*i)) {    //if the mouse cursor on the right of rectangular box
21        fill(255, 0, 0);    //fill the rectangular box in red color
22        GPIO.digitalWrite(leds[i], GPIO.LOW);    //turn on the corresponding led
23      } else {
24        fill(255, 255, 255);    //else fill the rectangular box in white color
25        GPIO.digitalWrite(leds[i], GPIO.HIGH);    //and turn off the led
26      }
27      rect(25+60*i, 90, 50, 180);    //draw a rectangular box
28    }
29  }

```

In the function draw(), we draw 10 rectangles to represent 10 LEDs of LED Bar Graph. We make rectangles on the left of mouse filled with red, corresponding LEDs turned ON. And make We make rectangles on the right of mouse filled with red, corresponding LEDs turned OFF. In this way, when slide the mouse to right, the more LEDs on the left of mouse will be turned ON. When to the left, the reverse is the case.

```

void draw() {
  for (int i=0; i<10; i++) {    //draw 10 rectangular box
    if (mouseX>(25+60*i)) {    //if the mouse cursor on the right of rectangular box
      fill (255, 0, 0);    //fill the rectangular box in red color
      GPIO.digitalWrite(leds[i], GPIO.LOW);    //turn on the corresponding led
    } else {
      fill(255, 255, 255);    //else fill the rectangular box in white color
      GPIO.digitalWrite(leds[i], GPIO.HIGH);    //and turn off the led
    }
    rect(25+60*i, 90, 50, 180);    //draw a rectangular box
  }
}

```





Chapter 3 PWM

In this chapter, we will learn how to use PWM.

Project 3.1 BreathingLED

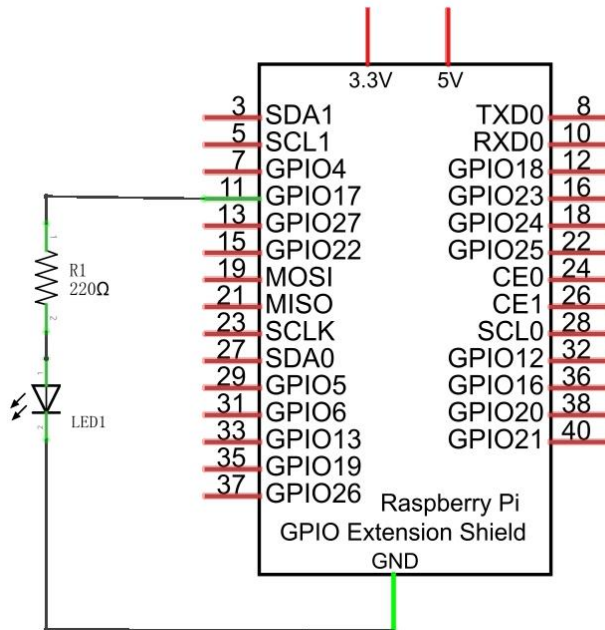
In this project, we will make a breathing LED, which means that an LED that is OFF will then turn ON gradually and then gradually turn OFF like "breathing". and the Display Window will show a breathing LED pattern and a progress bar at the same time.

Component List

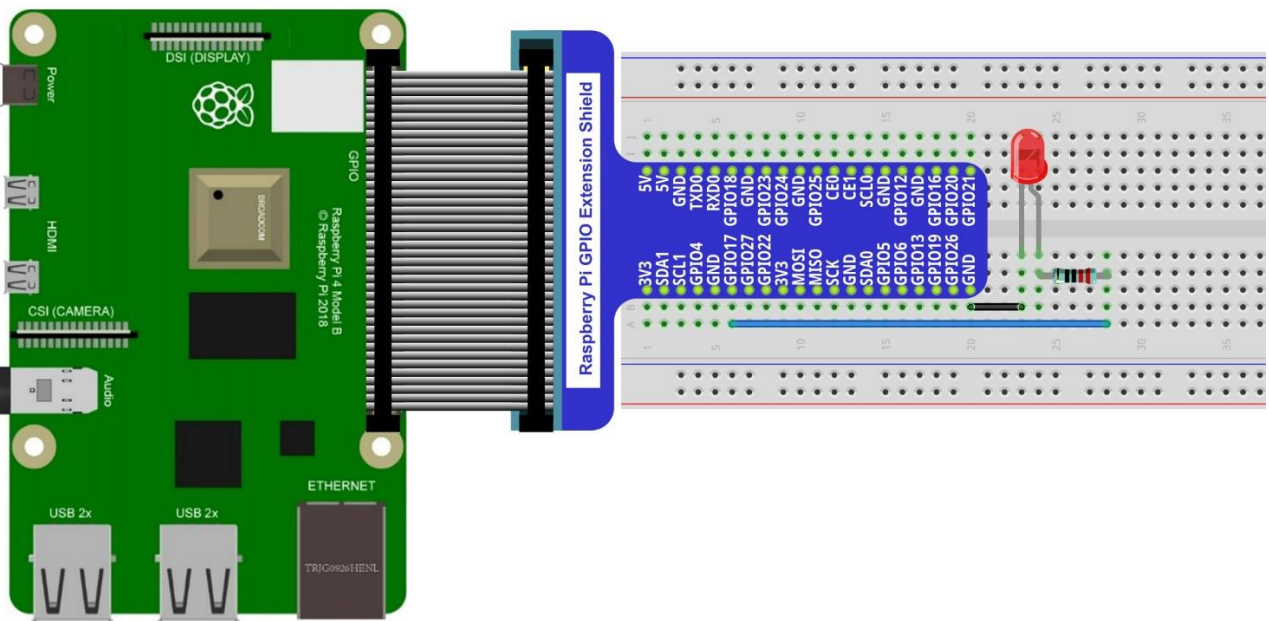
Raspberry Pi x1 GPIO Extension Board & Wire x1 Breadboard x1	LED x1 	Resistor 220Ω x1 
Jumper M/M x2 		

Circuit

Schematic diagram



Hardware connection



Sketch

Sketch 3.1.1 BreathingLED

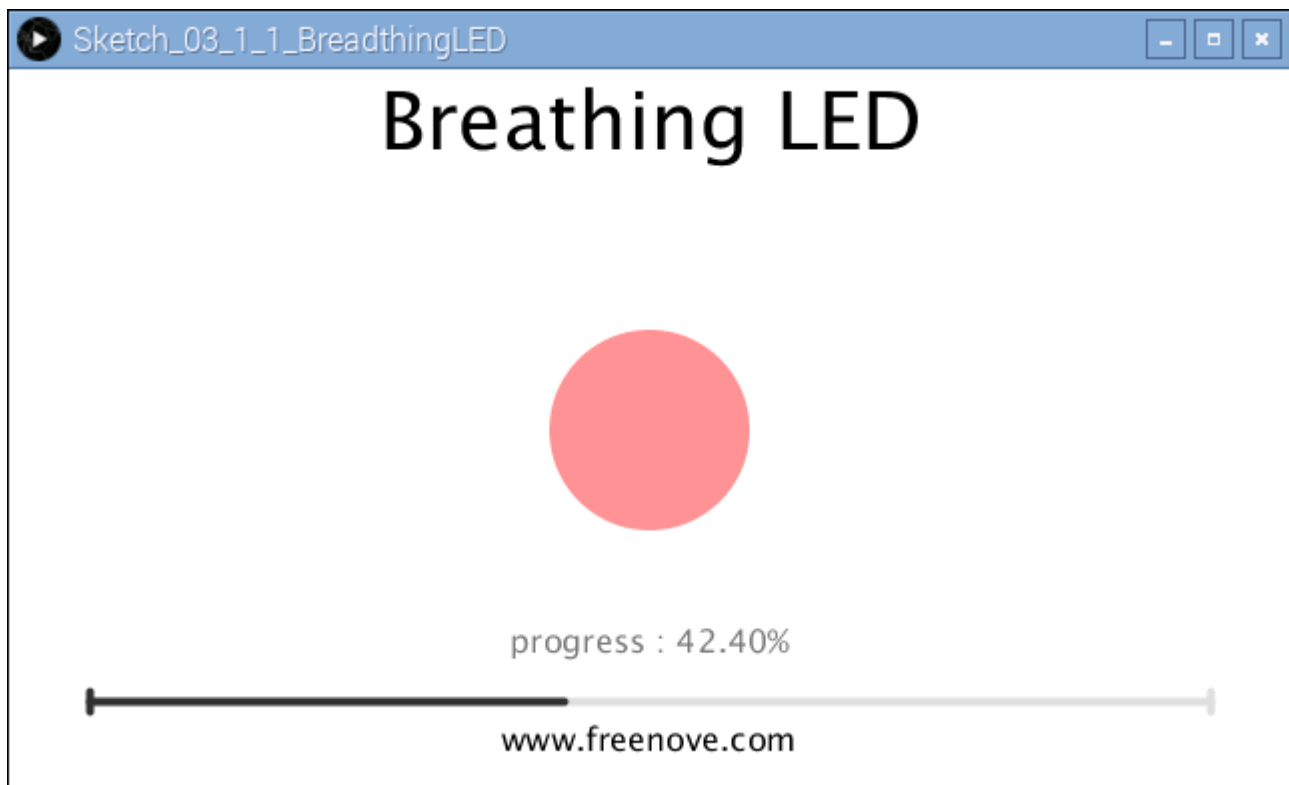
First, observe the result after running the sketch, and then learn about the code in detail.

1. Use Processing to open the file Sketch_03_1_1_BreathingLED.

```
processing
~/Freenove_Kit/Processing/Sketches/Sketch_03_1_1_BreathingLED/Sketch_03_1_1_BreathingLED.pde
```

2. Click on "RUN" to run the code.

After the program is executed, the LED in the circuit will be brightened gradually, and the color of LED pattern in Display Window will deepen gradually at the same time. The progress bar under the pattern shows the percentage of completion, and clicking on the inside of window with the mouse can change the progress.



The following is program code:

```
1  import processing.io.*;
2
3  int ledPin = 17;    //led Pin
4  int borderSize = 40; //
5  float t = 0.0;    //progress percent
6  float tStep = 0.004; // speed
7  SOFTPWM p = new SOFTPWM(ledPin, 10, 100); //Create a PWM pin, initialize the duty cycle
8  and period
9  void setup() {
```

```
10 size(640, 360); //display window size
11 strokeWidth(4); //stroke Weight
12 }
13
14 void draw() {
15     // Show static value when mouse is pressed, animate otherwise
16     if (mousePressed) {
17         int a = constrain(mouseX, borderSize, width - borderSize);
18         t = map(a, borderSize, width - borderSize, 0.0, 1.0);
19     } else {
20         t += tStep;
21         if (t > 1.0) t = 0.0;
22     }
23     p.softPwmWrite((int)(t*100)); //write the duty cycle according to t
24     background(255); //A white background
25     titleAndSiteInfo(); //title and Site information
26
27     fill(255, 255-t*255, 255-t*255); //cycle
28     ellipse(width/2, height/2, 100, 100);
29
30     pushMatrix();
31     translate(borderSize, height - 45);
32     int barLength = width - 2*borderSize;
33
34     barBgStyle(); //progressbar bg
35     line(0, 0, barLength, 0);
36     line(barLength, -5, barLength, 5);
37
38     barStyle(); //progressbar
39     line(0, -5, 0, 5);
40     line(0, 0, t*barLength, 0);
41
42     barLabelStyle(); //progressbar label
43     text("progress : "+nf(t*100, 2, 2), barLength/2, -25);
44     popMatrix();
45 }
46
47 void titleAndSiteInfo() {
48     fill(0);
49     textAlign(CENTER); //set the text centered
50     textSize(40); //set text size
51     text("Breathing Light", width / 2, 40); //title
52     textSize(16);
53     text("www.freenove.com", width / 2, height - 20); //site
```

```

54 }
55 void barBgStyle() {
56     stroke(220);
57     noFill();
58 }
59
60 void barStyle() {
61     stroke(50);
62     noFill();
63 }
64
65 void barLabelStyle() {
66     noStroke();
67     fill(120);
68 }

```

First, use SOFTPWM class to create a PWM pin, which is used to control the brightness of LED. Then define a variable “t” and a variable “tStep” to control the PWM duty cycle and the rate at which “t” increases.

```

float t = 0.0;        //progress percent
float tStep = 0.004; // speed
SOFTPWM p = new SOFTPWM(ledPin, 10, 100);

```

In the function draw, if there is a click detected, the coordinate in X direction of the mouse will be mapped into the duty cycle “t”; Otherwise, duty cycle “t” will be increased gradually and PWM with the duty cycle will be output.

```

if (mousePressed) {
    int a = constrain(mouseX, borderSize, width - borderSize);
    t = map(a, borderSize, width - borderSize, 0.0, 1.0);
} else {
    t += tStep;
    if (t > 1.0) t = 0.0;
}
p.softPwmWrite((int)(t*100)); //write the duty cycle according to t

```

The next code is designed to draw a circle filled with colors in different depth according to the “t” value, which is used to simulate LEDs with different brightness.

```

fill(255, 255-t*255, 255-t*255); //cycle
ellipse(width/2, height/2, 100, 100);

```

The last code is designed to draw the progress bar and the percentage of the progress.

```

barBgStyle(); //progressbar bg
line(0, 0, barLength, 0);
line(barLength, -5, barLength, 5);

```

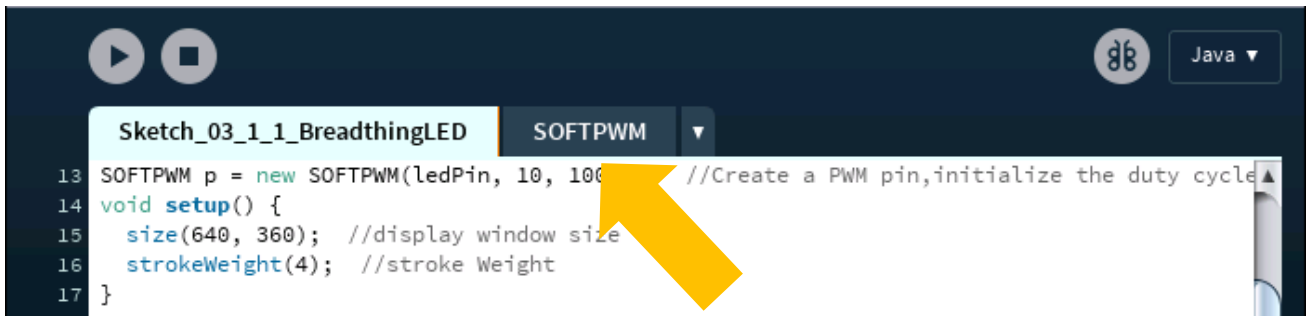
```

barStyle(); //progressbar
line(0, -5, 0, 5);
line(0, 0, t*barLength, 0);

barLabelStyle(); //progressbar label
text("progress : "+nf(t*100, 2, 2), barLength/2, -25);

```

In processing software, you will see a tag page "SOFTPWM" in addition to the above code.



Reference

class SOFTPWM

```
public SOFTPWM(int iPin, int dc, int pwmRange):
```

Constructor, used to create a PWM pin, set the pwmRange and initial duty cycle. The minimum of pwmRange is 0.1ms. So pwmRange=100 means that the PWM duty cycle is 0.1ms*100=10ms.

```
public void softPwmWrite(int value)
```

Set PMW duty cycle.

```
public void softPwmStop()
```

Stop outputting PWM.




Chapter 4 RGBLED

In this chapter, we will learn how to use RGBLED.

Project 4.1 Multicolored LED

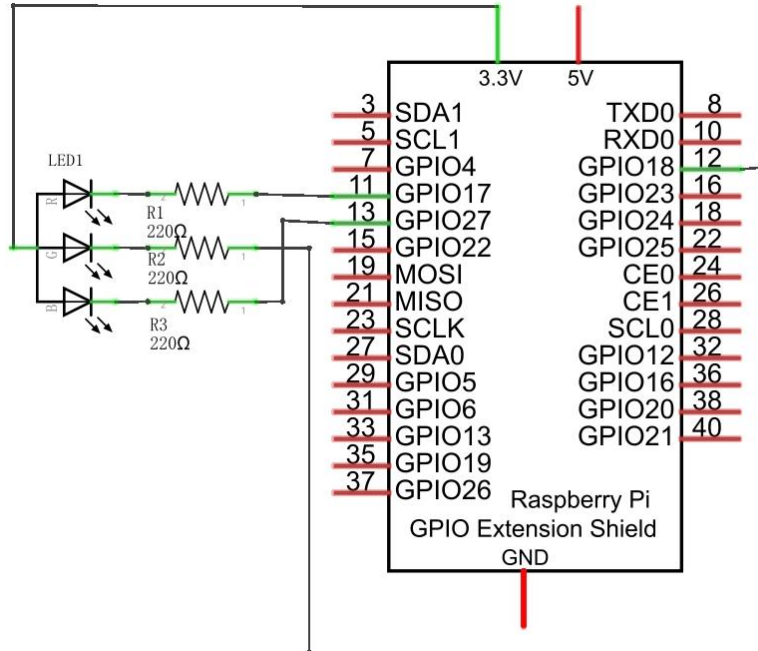
This project will make a Multicolored LED, namely, use Processing to control the color of RGBLED.

Component List

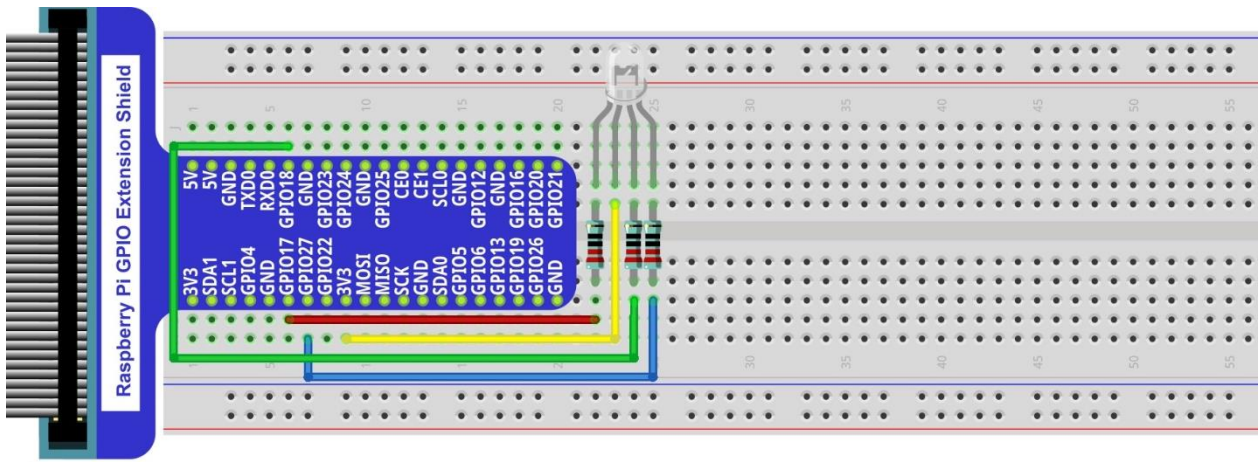
Raspberry Pi x1 GPIO Extension Board & Wire x1 Breadboard x1	RGBLED x1 	Resistor 220Ω x3 
Jumper M/M x4 		

Circuit

Schematic diagram



Hardware connection



Sketch

Sketch 4.1.1 ColorfulLED

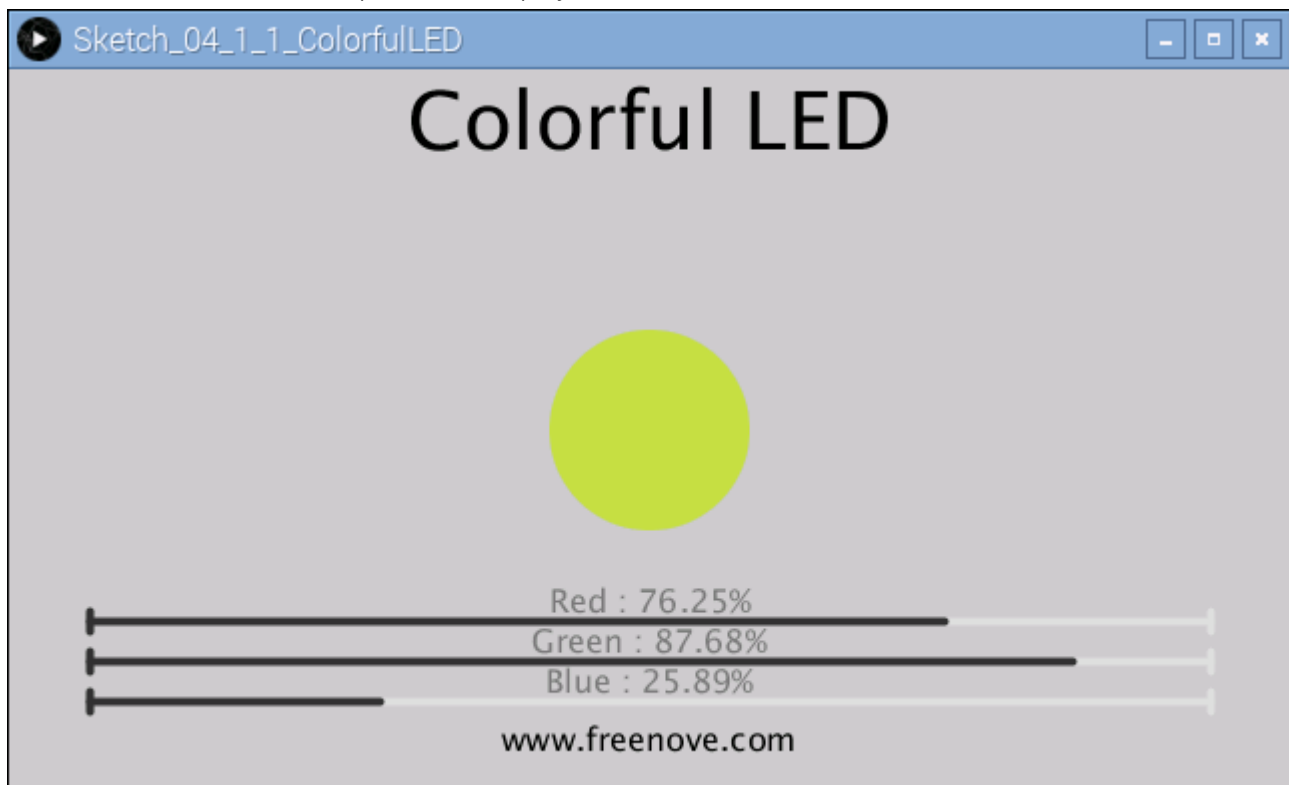
First, observe the result after running the sketch, and then learn about the code in detail.

1. Use Processing to open the file Sketch_04_1_1_ColorfulLED.

```
processing
~/Freenove_Kit/Processing/Sketches/Sketch_04_1_1_ColorfulLED/Sketch_04_1_1_ColorfulLED.pde
```

2. Click on "RUN" to run the code.

After the program is executed, RGBLED is in OFF-state. And in Display Window, the pattern used to simulate LED is black. Red, Green and Blue progress bars are at 0%. By using mouse to click on and drag any progress bar, you can set the PWM duty cycle of color channels, and then RGBLED in the circuit will show corresponding colors. At the same time, the pattern in Display Window will show the same color.



This project contains a lot of code files, and the core code is contained in the file Sketch_04_1_1_ColorfulLED. The other files only contain some custom classes.



The following is program code:

```
1  import processing.io.*;
2
3  int bluePin = 17;    //blue Pin
4  int greenPin = 18;  //green Pin
5  int redPin = 27;    //red Pin
6  int borderSize = 40; //picture border size
7  //Create a PWM pin, initialize the duty cycle and period
8  SOFTPWM pRed = new SOFTPWM(redPin, 100, 100);
9  SOFTPWM pGreen = new SOFTPWM(greenPin, 100, 100);
10 SOFTPWM pBlue = new SOFTPWM(bluePin, 100, 100);
11 //instantiate three ProgressBar Object
12 ProgressBar rBar, gBar, bBar;
13 boolean rMouse = false, gMouse = false, bMouse = false;
14 void setup() {
15     size(640, 360); //display window size
16     strokeWeight(4); //stroke Weight
17     //define the ProgressBar length
18     int barLength = width - 2*borderSize;
19     //Create ProgressBar Object
20     rBar = new ProgressBar(borderSize, height - 85, barLength);
21     gBar = new ProgressBar(borderSize, height - 65, barLength);
22     bBar = new ProgressBar(borderSize, height - 45, barLength);
23     //Set ProgressBar's title
24     rBar.setTitle("Red");gBar.setTitle("Green");bBar.setTitle("Blue");
25 }
26
27 void draw() {
28     background(200); //A white background
29     titleAndSiteInfo(); //title and Site information
30
31     fill(rBar.progress*255, gBar.progress*255, bBar.progress*255); //cycle color
32     ellipse(width/2, height/2, 100, 100); //show cycle
33
34     rBar.create(); //Show progressBar
35     gBar.create();
36     bBar.create();
37 }
38
39 void mousePressed() {
40     if ( (mouseY< rBar.y+5) && (mouseY>rBar.y-5) ) {
41         rMouse = true;
42     } else if ( (mouseY< gBar.y+5) && (mouseY>gBar.y-5) ) {
43         gMouse = true;
```

```

44 } else if ( (mouseY< bBar.y+5) && (mouseY>bBar.y-5) ) {
45     bMouse = true;
46 }
47 }
48 void mouseReleased() {
49     rMouse = false;
50     bMouse = false;
51     gMouse = false;
52 }
53 void mouseDragged() {
54     int a = constrain(mouseX, borderSize, width - borderSize);
55     float t = map(a, borderSize, width - borderSize, 0.0, 1.0);
56     if (rMouse) {
57         pRed.softPwmWrite((int)(100-t*100)); //wirte the duty cycle according to t
58         rBar.setProgress(t);
59     } else if (gMouse) {
60         pGreen.softPwmWrite((int)(100-t*100)); //wirte the duty cycle according to t
61         gBar.setProgress(t);
62     } else if (bMouse) {
63         pBlue.softPwmWrite((int)(100-t*100)); //wirte the duty cycle according to t
64         bBar.setProgress(t);
65     }
66 }
67
68 void titleAndSiteInfo() {
69     fill(0);
70     textAlign(CENTER); //set the text centered
71     textSize(40); //set text size
72     text("Colorful LED", width / 2, 40); //title
73     textSize(16);
74     text("www.freenove.com", width / 2, height - 20); //site
75 }

```

In the code, first create three PWM pins and three progress bars to control RGBLED.

```

SOFTPWM pRed = new SOFTPWM(redPin, 100, 100);
SOFTPWM pGreen = new SOFTPWM(greenPin, 100, 100);
SOFTPWM pBlue = new SOFTPWM(bluePin, 100, 100);
//instantiate three ProgressBar Object
ProgressBar rBar, gBar, bBar;

```

And then in function setup(), define position and length of progress bar according to the size of Display Window, and set the name of each progress bar.

```

void setup() {
    size(640, 360); //display window size

```

```

strokeWeight(4); //stroke Weight
//define the ProgressBar length
int barLength = width - 2*borderSize;
//Create ProgressBar Object
rBar = new ProgressBar(borderSize, height - 85, barLength);
gBar = new ProgressBar(borderSize, height - 65, barLength);
bBar = new ProgressBar(borderSize, height - 45, barLength);
//Set ProgressBar's title
rBar.setTitle("Red");gBar.setTitle("Green");bBar.setTitle("Blue");
}

```

In function draw(), first set background, header and other basic information. Then draw a circle and set its color according to the duty cycle of three channels of RGB. Finally draw three progress bars.

```

void draw() {
  background(200); //A white background
  titleAndSiteInfo(); //title and Site information

  fill(rBar.progress*255, gBar.progress*255, bBar.progress*255); //cycle color
  ellipse(width/2, height/2, 100, 100); //show cycle

  rBar.create(); //Show progressBar
  gBar.create();
  bBar.create();
}

```

System functions mousePressed(), mouseReleased() and mouseDragged() are used to determine whether the mouse drags the progress bar and set the schedule. If the mouse button is pressed in a progress bar, then the mousePressed () sets the progress flag rgbMouse to true, mouseDragged (mouseX) maps progress value to set corresponding PWM. When the mouse is released, mouseReleased() sets the progress flag rgbMouse to false..

```

void mousePressed() {
  if ( (mouseY < rBar.y+5) && (mouseY > rBar.y-5) ) {
    rMouse = true;
  } else if ( (mouseY < gBar.y+5) && (mouseY > gBar.y-5) ) {
    gMouse = true;
  } else if ( (mouseY < bBar.y+5) && (mouseY > bBar.y-5) ) {
    bMouse = true;
  }
}
void mouseReleased() {
  rMouse = false;
  bMouse = false;
  gMouse = false;
}

```

```
void mouseDragged() {
    int a = constrain(mouseX, borderSize, width - borderSize);
    float t = map(a, borderSize, width - borderSize, 0.0, 1.0);
    if (rMouse) {
        pRed.softPwmWrite((int)(100-t*100)); //write the duty cycle according to t
        rBar.setProgress(t);
    } else if (gMouse) {
        pGreen.softPwmWrite((int)(100-t*100)); //write the duty cycle according to t
        gBar.setProgress(t);
    } else if (bMouse) {
        pBlue.softPwmWrite((int)(100-t*100)); //write the duty cycle according to t
        bBar.setProgress(t);
    }
}
```

Reference

class ProgressBar

This is a custom class that is used to create a progress bar.

```
public ProgressBar(int ix, int iy, int barlen)
```

Constructor, used to create ProgressBar, the parameters for coordinates X, Y and length of ProgressBar.

```
public void setTitle(String str)
```

Used to set the name of progress bar, which will be displayed in the middle of the progress bar.

```
public void setProgress(float pgress)
```

Used to set the progress of progress bar. The parameter: $0 < pgress < 1.0$.

```
public void create() & public void create(float pgress)
```

Used to draw progress bar.




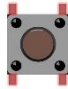


Chapter 5 Buzzer

In this chapter we will learn how to use a buzzer.

Project 5.1 ActiveBuzzer

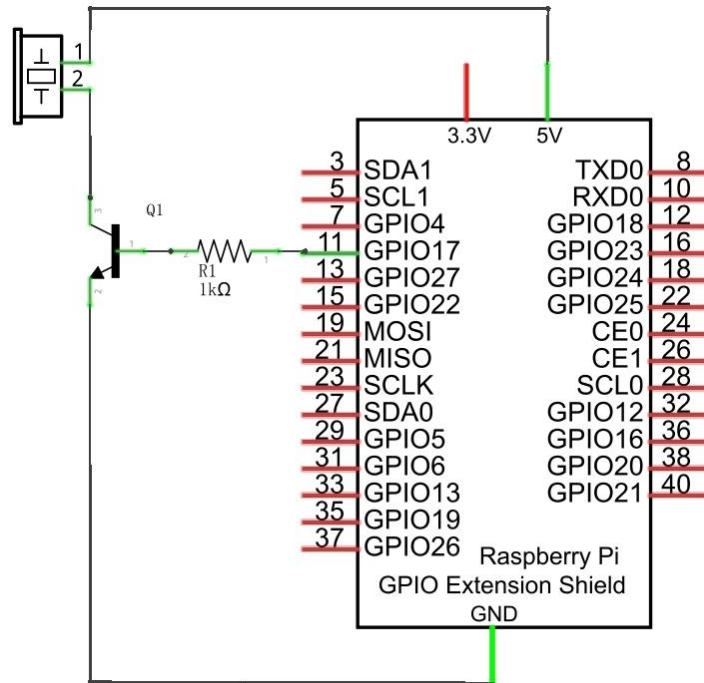
In this project, we will use the mouse to control an active buzzer.

Component List

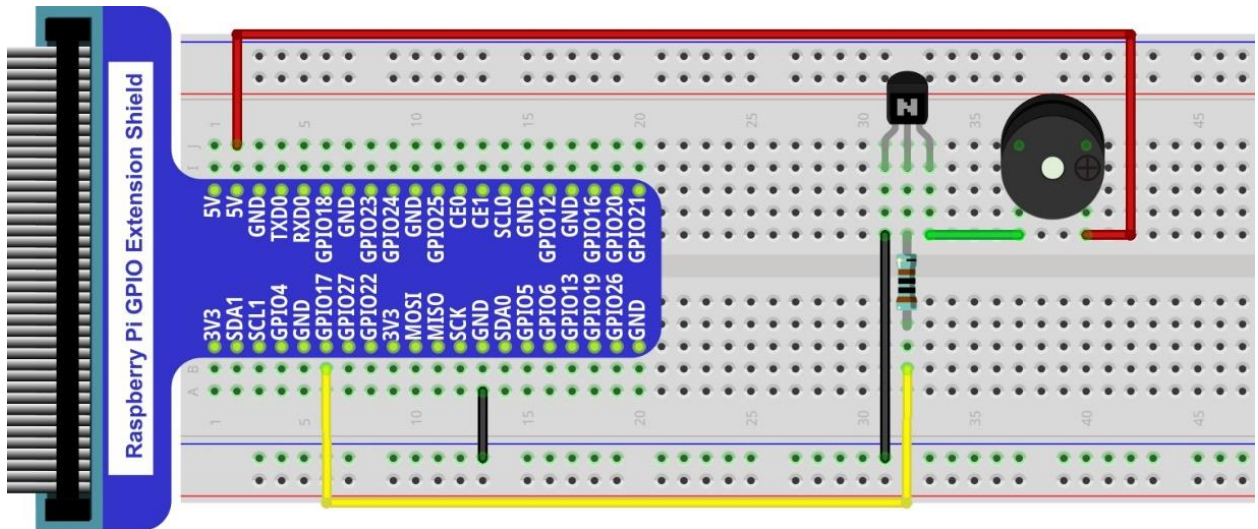
Raspberry Pi x1 GPIO Extension Board & Wire x1 Breadboard x1		Jumper M/M x7 		
NPN transistor x1 	Active buzzer x1 	Push button x1 	Resistor 1kΩ x1 	Resistor 10kΩ x2 

Circuit

Schematic diagram



Hardware connection



Note: in this circuit, the power supply for the buzzer is 5V, and pull-up resistor of the push button switch is connected to the 3.3V power feed. Actually, the buzzer can work when connected to the 3.3V power feed but this will produce a weak sound from the buzzer (not very loud).

Sketch

Sketch 5.1.1 ActiveBuzzer

First, observe the result after running the sketch, and then learn about the code in detail.

1. Use Processing to open the file Sketch_05_1_1_ActiveBuzzer.

```
processing
~/Freenove_Kit/Processing/Sketches/Sketch_05_1_1_ActiveBuzzer/Sketch_05_1_1_ActiveBuzzer.pde
```

2. Click on "RUN" to run the code.

After the program is executed, use the mouse to click on any position of the Display Window, then Active Buzzer begins to sound and arc graphics (Schematic of sounding) will appear next to the buzzer pattern on Display Window. Click the mouse again, then Active Buzzer stops sounding and arc graphics disappear.



The following is program code:

```
import processing.io.*;

int buzzerPin = 17;
boolean buzzerState = false;
void setup() {
  size(640, 360);
  GPIO.pinMode(buzzerPin, GPIO.OUTPUT);
}

void draw() {
```



```
background(255);
titleAndSiteInfo(); //title and site information
drawBuzzer(); //buzzer img
if (buzzerState) {
  GPIO.digitalWrite(buzzerPin, GPIO.HIGH);
  drawArc(); //Sounds waves img
} else {
  GPIO.digitalWrite(buzzerPin, GPIO.LOW);
}
}

void mouseClicked() { //if the mouse Clicked
  buzzerState = !buzzerState; //Change the buzzer State
}

void drawBuzzer() {
  strokeWeight(1);
  fill(0);
  ellipse(width/2, height/2, 50, 50);
  fill(255);
  ellipse(width/2, height/2, 10, 10);
}

void drawArc() {
  noFill();
  strokeWeight(8);
  for (int i=0; i<3; i++) {
    arc(width/2, height/2, 100*(1+i), 100*(1+i), -PI/4, PI/4, OPEN);
  }
}

void titleAndSiteInfo() {
  fill(0);
  textAlign(CENTER); //set the text centered
  textSize(40); //set text size
  text("Active Buzzer", width / 2, 40); //title
  textSize(16);
  text("www.freenove.com", width / 2, height - 20); //site
}
```

Code in this project is logically the same as previous "MouseLED" project. And the difference is that this project needs to draw the buzzer pattern and arc graphics after the buzzer sounding.


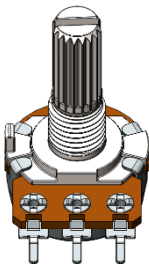
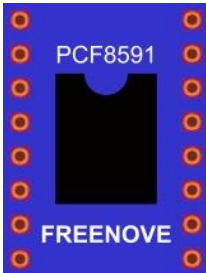
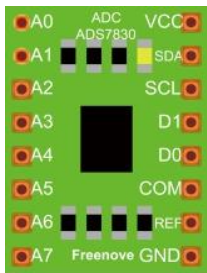

Chapter 6 ADC Module

In this chapter we will learn how to use an ADC module.

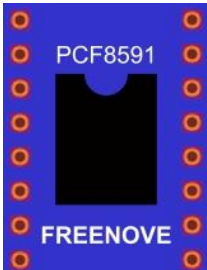
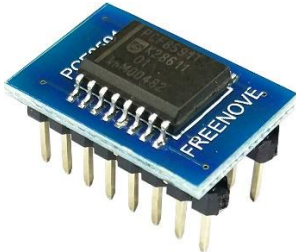
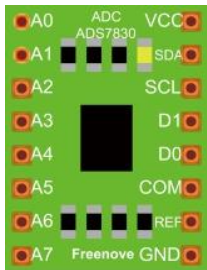
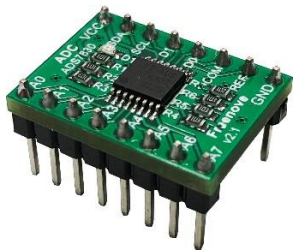
Project 6.1 Voltmeter

This project uses an ADC module to read potentiometer voltage value and display the value on Display Window.

Component List

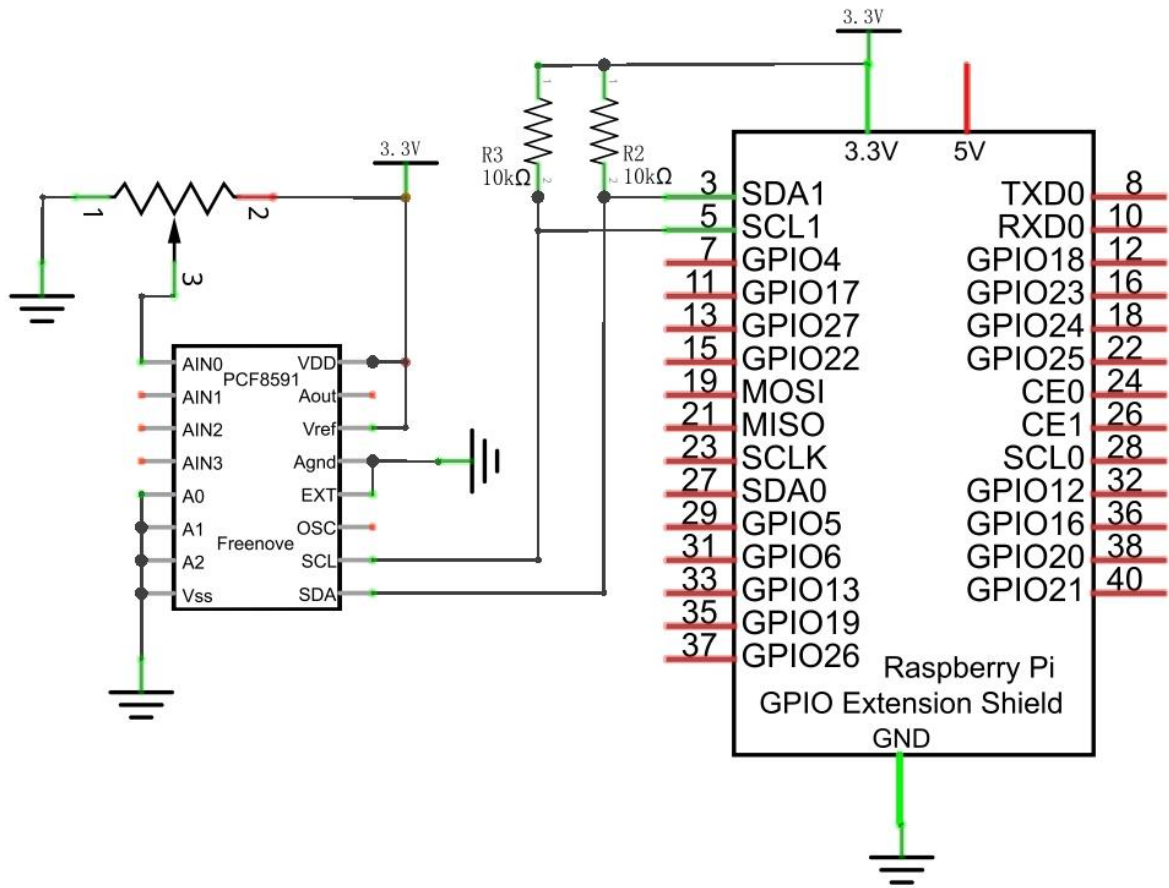
Raspberry Pi x1 GPIO Extension Board & Wire x1 Breadboard x1		Jumper M/M x16 
Rotary potentiometer x1 	ADC module x1  or 	Resistor 10kΩ x2 

This product contains only one ADC module, there are two types, PCF8591 and ADS7830. For the projects described in this tutorial, they function the same. Please build corresponding circuits according to the ADC module found in your Kit.

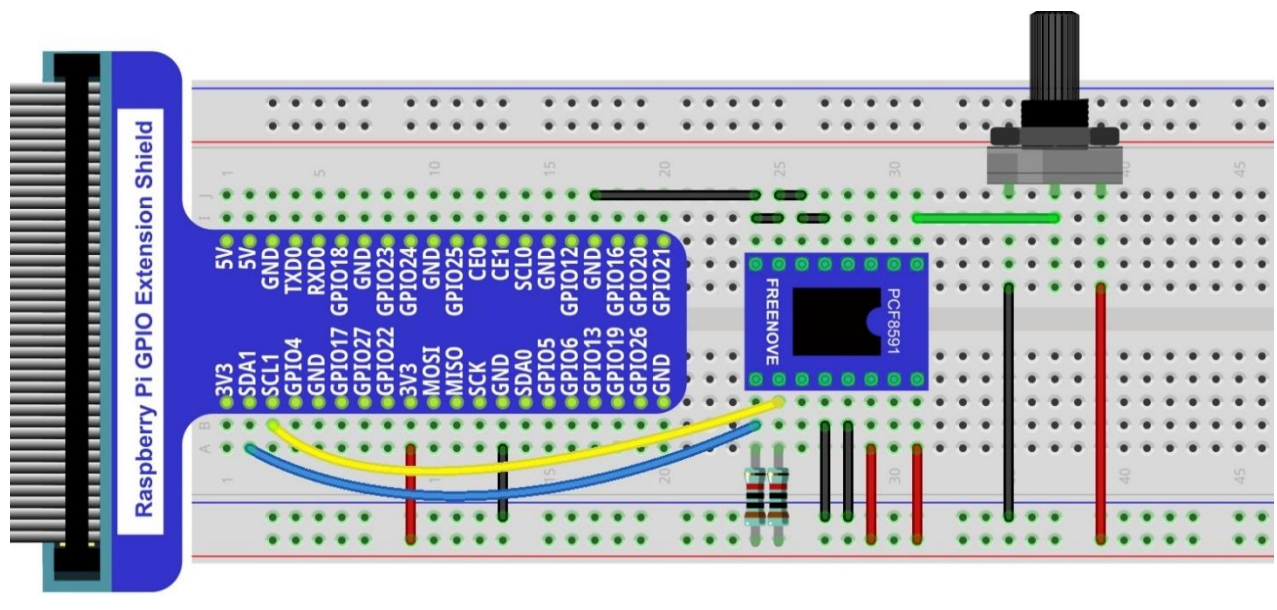
ADC module : PCF8591		ADC module : ADS7830	
			

Circuit with PCF8591

Schematic diagram

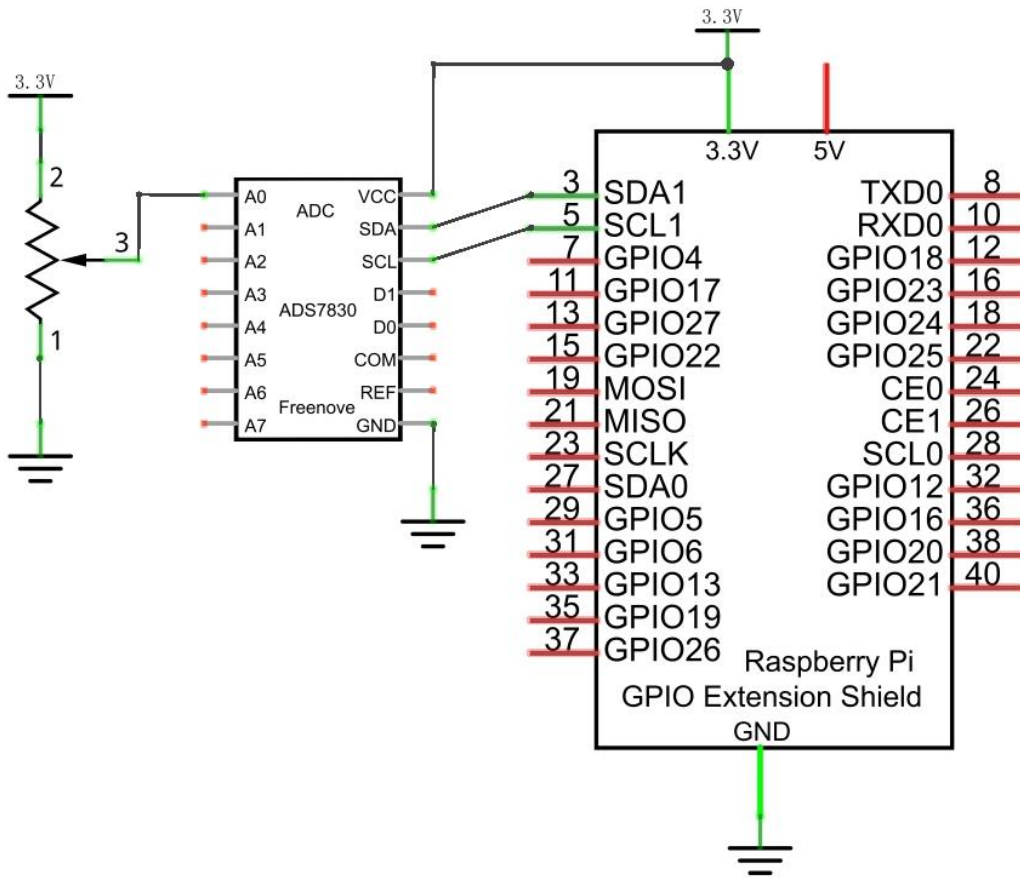


Hardware connection

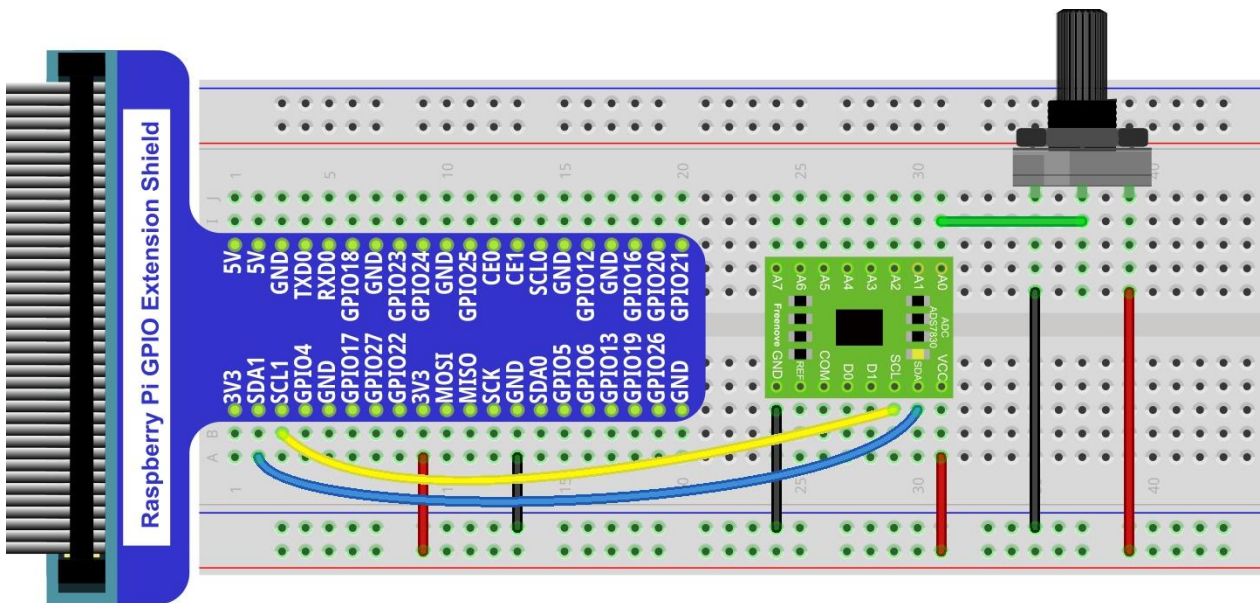


Circuit with ADS7830

Schematic diagram



Hardware connection



Sketch

Configure I2C (required)

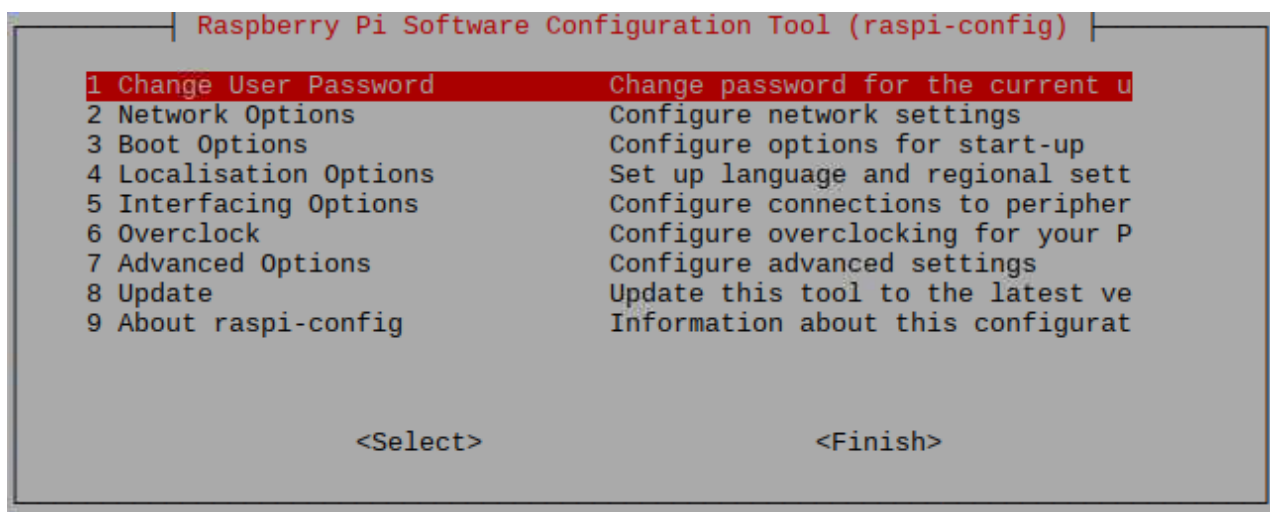
Enable I2C

There are some I2C chips in this kit like ADC module. The I2C interface of Raspberry Pi is closed by default. You need to open it manually as follows:

Type command in the terminal:

```
sudo raspi-config
```

Then open the following dialog box:



Choose "5 Interfacing Options" → "P5 I2C" → "Yes" → "Finish" in order and restart your RPi later. Then the I2C module is started.

Type a command to check whether the I2C module is started:

```
lsmod | grep i2c
```

If the I2C module has been started, the following content will be shown:

```
pi@raspberrypi:~$ lsmod | grep i2c
i2c_bcm2708      4770  0
i2c_dev         5859  0
pi@raspberrypi:~$
```

Install I2C-Tools

Type the command to install I2C-Tools.

```
sudo apt-get install i2c-tools
```

Detect the address of I2C device with the following command:

```
i2cdetect -y 1
```


When you are using PCF8591, the result is as below:

```
pi@raspberrypi:~$ i2cdetect -y 1
   0  1  2  3  4  5  6  7  8  9  a  b  c  d  e  f
00:  -- -- -- -- -- -- -- -- -- -- -- -- -- --
10:  -- -- -- -- -- -- -- -- -- -- -- -- -- --
20:  -- -- -- -- -- -- -- -- -- -- -- -- -- --
30:  -- -- -- -- -- -- -- -- -- -- -- -- -- --
40:  -- -- -- -- -- -- -- 48 -- -- -- -- -- --
50:  -- -- -- -- -- -- -- -- -- -- -- -- -- --
60:  -- -- -- -- -- -- -- -- -- -- -- -- -- --
70:  -- -- -- -- -- -- -- -- -- -- -- -- -- --
```

Here, 48 (HEX) is the I2C address of ADC Module(PCF8591).

When you are using ADS, the result is as below:

```
pi@raspberrypi:~$ i2cdetect -y 1
   0  1  2  3  4  5  6  7  8  9  a  b  c  d  e  f
00:  -- -- -- -- -- -- -- -- -- -- -- -- -- --
10:  -- -- -- -- -- -- -- -- -- -- -- -- -- --
20:  -- -- -- -- -- -- -- -- -- -- -- -- -- --
30:  -- -- -- -- -- -- -- -- -- -- -- -- -- --
40:  -- -- -- -- -- -- -- 4b -- -- -- -- -- --
50:  -- -- -- -- -- -- -- -- -- -- -- -- -- --
60:  -- -- -- -- -- -- -- -- -- -- -- -- -- --
70:  -- -- -- -- -- -- -- -- -- -- -- -- -- --
```

Here, 4b (HEX) is the I2C address of ADC Module (ADS7830).

Sketch 6.1.1 ADC

First, observe the result after running the sketch, and then learn about the code in detail.

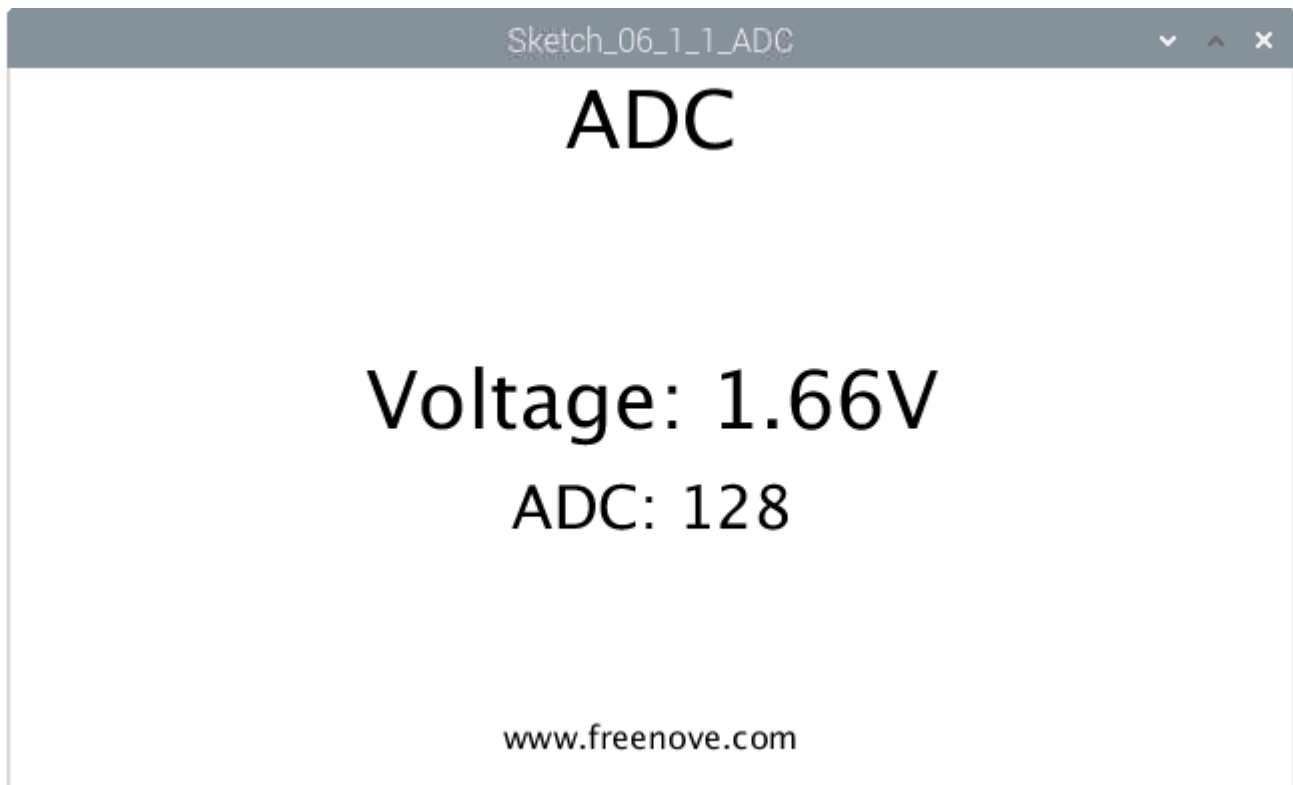
1. Use Processing to open the file Sketch_06_1_1_ADC.

processing

~/Freenove_Kit/Processing/Sketches/Sketch_06_1_1_ADC/Sketch_06_1_1_ADC.pde

2. Click on "RUN" to run the code.

After the program is executed, Display Window shows the voltage value of the potentiometer and the ADC value. Rotate the potentiometer to change the voltage output by potentiometer.



This project contains a lot of code files, and the core code is contained in the file Sketch_06_1_1_ADC. The other files only contain some custom classes.



The following is program code:

```
1  import processing.io.*;
2  //Create an object of class ADCDevice
3  ADCDevice adc = new ADCDevice();
4  void setup() {
5      size(640, 360);
6      if (adc.detectI2C(0x48)) {
7          adc = new PCF8591(0x48);
8      } else if (adc.detectI2C(0x4b)) {
9          adc = new ADS7830(0x4b);
10     } else {
11         println("Not found ADC Module!");
12         System.exit(-1);
13     }
14 }
15 void draw() {
16     int adcValue = adc.analogRead(0);    //Read the ADC value of channel 0
17     float volt = adcValue*3.3/255.0;    //calculate the voltage
18     background(255);
19     titleAndSiteInfo();
20
21     fill(0);
22     textAlign(CENTER);    //set the text centered
23     textSize(30);
24     text("ADC: "+nf(adcValue, 3, 0), width / 2, height/2+50);
25     textSize(40);    //set text size
26     text("Voltage: "+nf(volt, 0, 2)+"V", width / 2, height/2);    //
27 }
28 void titleAndSiteInfo() {
29     fill(0);
30     textAlign(CENTER);    //set the text centered
31     textSize(40);    //set text size
32     text("ADC", width / 2, 40);    //title
33     textSize(16);
34     text("www.freenove.com", width / 2, height - 20);    //site
35 }
```

The code of this project mainly uses PCF8591 class member function analogRead() to read ADC.

```
int adcValue = adc.analogRead(0); //Read the ADC value of channel 0
float volt = adcValue*3.3/255.0; //calculate the voltage
```

About class ADCDevice, PCF8591, ADS7830:

class ADCDevice

This is a base class, and all ADC module classes are subclasses of it. It provides two basic member functions.

```
public int analogRead(int chn)
```

This is a unified function name. Different chips have different implement methods. Therefore, specific method is implemented in subclasses.

```
public boolean detectI2C(int addr)
```

Used to detect I2C device with a given address. If it exists, it returns true, otherwise it returns false.

class PCF8591 extends ADCDevice

This is a custom class that is used to operate the ADC and DAC of PCF8591.

```
public PCF8591(int addr)
```

Constructor, used to create a PCF8591 class object, parameters for the I2C PCF8591 device address.

```
public int analogRead(int chn)
```

Used to read ADC value of one channel of PCF8591, the parameter CHN indicates the channel number: 0,1,2,3.

```
public byte[] analogRead()
```

To read ADC values of all channels of PCF8591.

```
public void analogWrite(int data)
```

Write a DAC value to PCF8591.

class ADS7830 extends ADCDevice

This is a custom class that is used to operate the ADC of ADS7830.

```
public ADS7830(int addr)
```

Constructor, used to create a ADS7830 class object, parameters for the I2C ADS7830 device address.

```
public int analogRead(int chn)
```

Used to read ADC value of one channel of ADS7830, the parameter CHN indicates the channel number: 0,1,2,3,4,5,6,7.


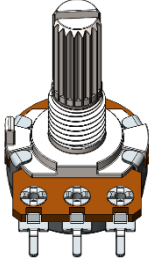
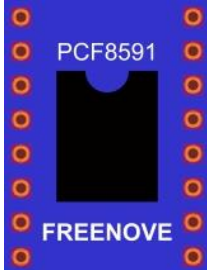
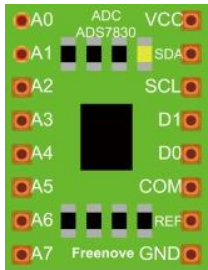



Chapter 7 ADC & LED

In this chapter, we will combine ADC and PWM to control the brightness of LED.

Project 7.1 SoftLight

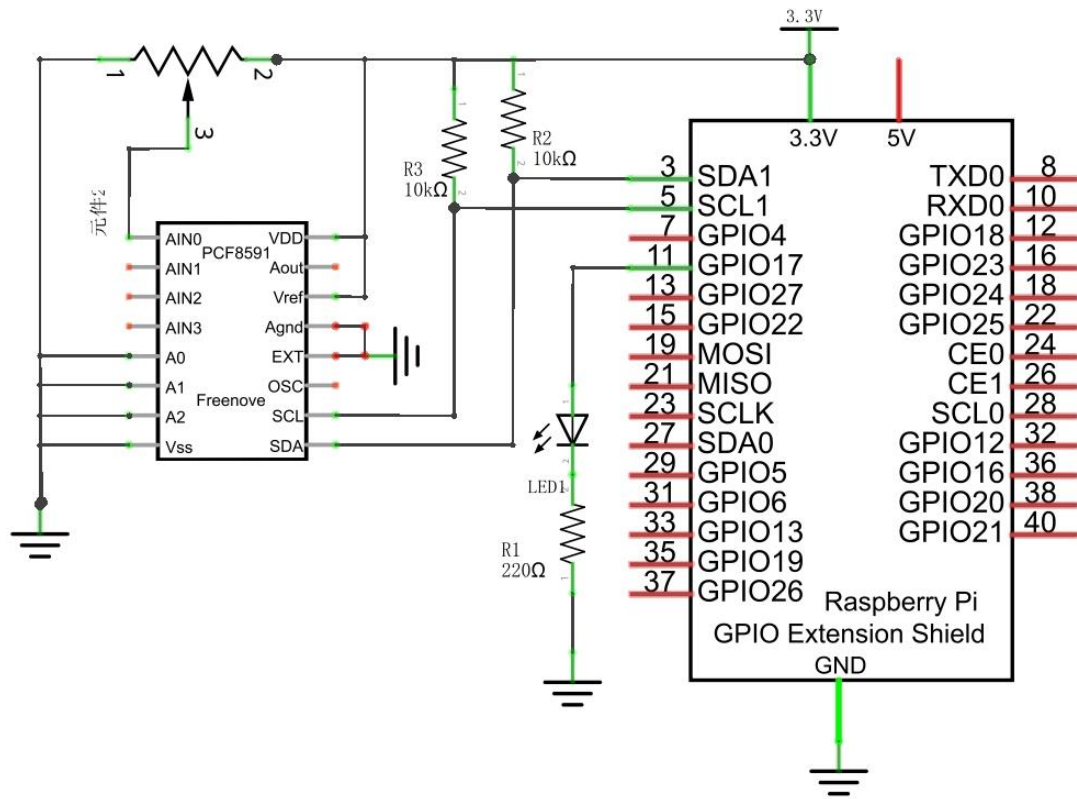
In this project, we will make a softlight, which uses a potentiometer to control the brightness of LED.

Component List

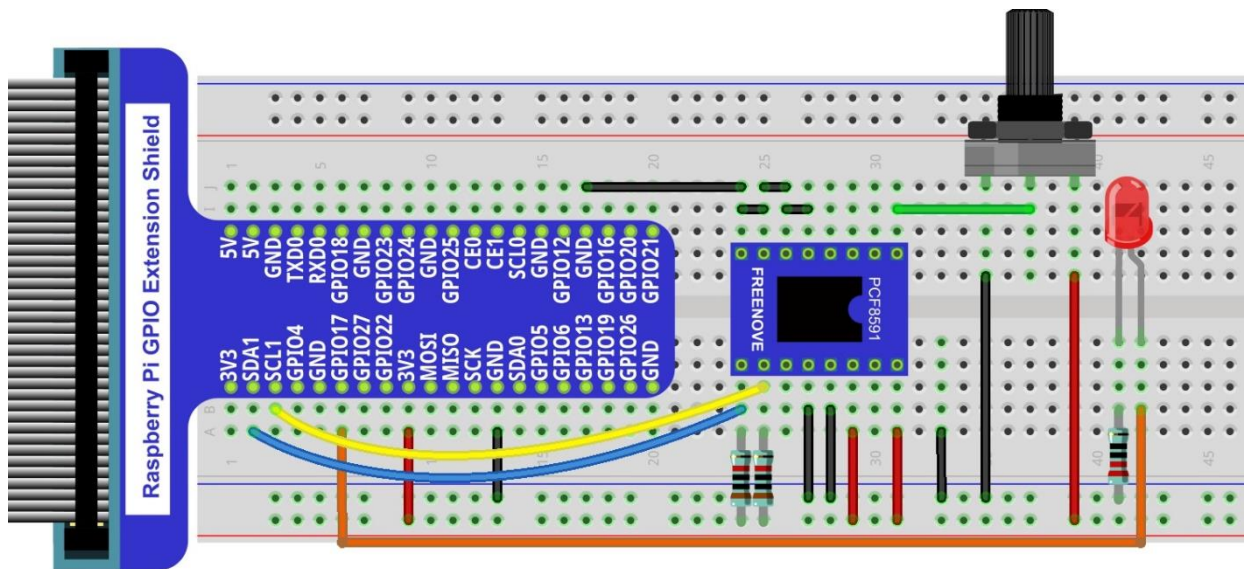
Raspberry Pi x1 GPIO Extension Board & Wire x1 Breadboard x1		Jumper M/M x17 				
Rotary potentiometer x1 	ADC module x1 	or		10kΩ x2 	220Ω x1 	LED x1 

Circuit with PCF8591

Schematic diagram

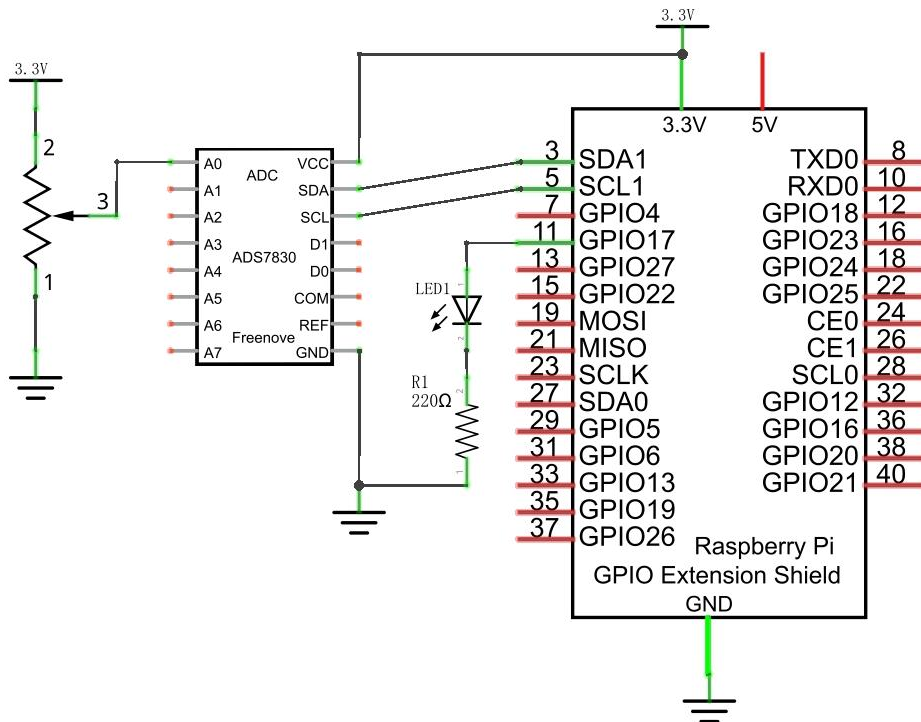


Hardware connection

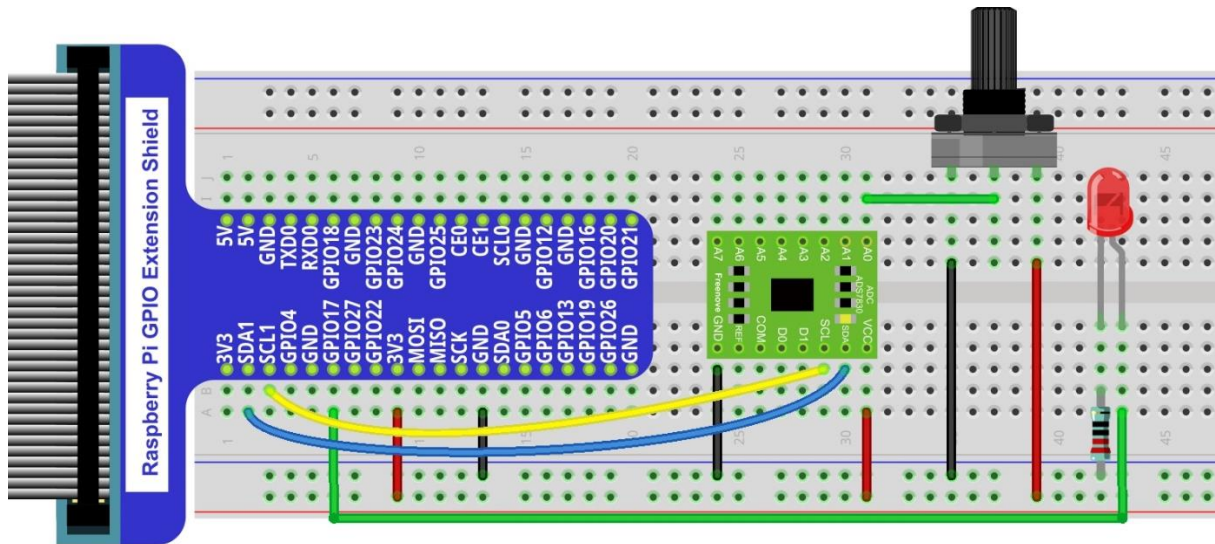


Circuit with ADS7830

Schematic diagram



Hardware connection



Sketch

If you did not [configure I2C](#), please refer to Chapter 6. If you did, please move on.

Sketch 7.1.1 SoftLight

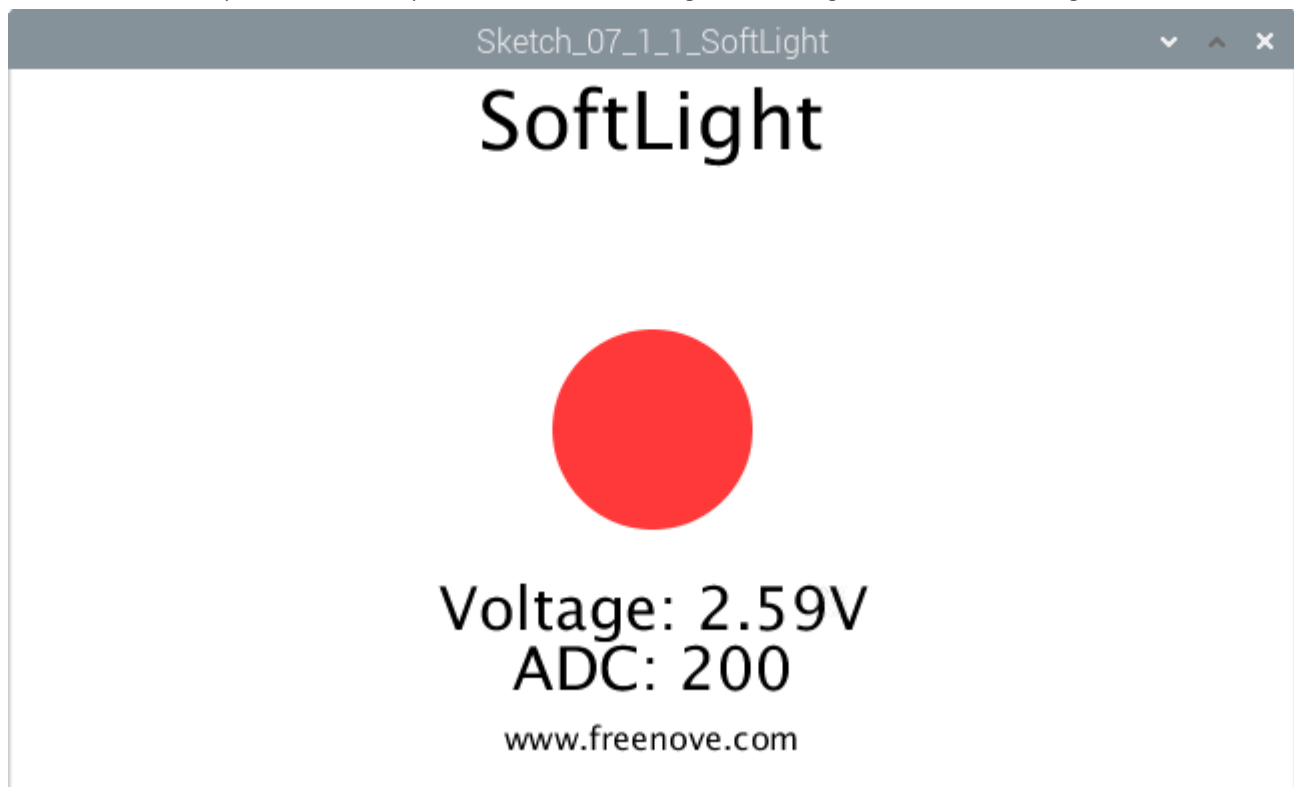
First, observe the result after running the sketch, and then learn about the code in detail.

1. Use Processing to open the file Sketch_07_1_1_SoftLight.

```
processing
~/Freenove_Kit/Processing/Sketches/Sketch_07_1_1_SoftLight/Sketch_07_1_1_SoftLi
ght.pde
```

2. Click on "RUN" to run the code.

After the program is executed, the Display Window will show the voltage value of potentiometer, the ADC value and an LED pattern. Rotate potentiometer to change the voltage value and the brightness of the LED.



This project contains a lot of code files, and the core code is contained in the file Sketch_07_1_1_SoftLight. The other files only contain some custom classes.

```

Sketch_07_1_1_SoftLight | Processing 3.5.3
文件 编辑 速写本 调试 工具 帮助
Sketch_07_1_1_SoftLight ADCDevice SOFTPWM
1 /*****
2  * Filename   : Sketch_07_1_1_SoftLight
3  * Description: control the brightness of led through a potentiometer
4  * author    : www.freenove.com
5  * modification: 2020/03/09
6  *****/
7 import processing.io.*;

```

The following is program code:

```

1 import processing.io.*;
2
3 int ledPin = 17; //led
4 //Create an object of class ADCDevice
5 ADCDevice adc = new ADCDevice();
6 SOFTPWM p = new SOFTPWM(ledPin, 0, 100);
7 void setup() {
8     size(640, 360);
9     if (adc.detectI2C(0x48)) {
10         adc = new PCF8591(0x48);
11     } else if (adc.detectI2C(0x4b)) {
12         adc = new ADS7830(0x4b);
13     } else {
14         println("Not found ADC Module!");
15         System.exit(-1);
16     }
17 }
18 void draw() {
19     int adcValue = adc.analogRead(0); //Read the ADC value of channel 0
20     float volt = adcValue*3.3/255.0; //calculate the voltage
21     float dt = adcValue/255.0;
22     p.softPwmWrite((int)(dt*100)); //output the pwm
23     background(255);
24     titleAndSiteInfo();
25
26     fill(255, 255-dt*255, 255-dt*255); //cycle
27     noStroke(); //no border
28     ellipse(width/2, height/2, 100, 100);
29
30     fill(0);

```

```
31   textAlign(CENTER);    //set the text centered
32   textSize(30);
33   text("ADC: "+nf(adcValue, 3, 0), width / 2, height/2+130);
34   text("Voltage: "+nf(volt, 0, 2)+"V", width / 2, height/2+100);    //
35 }
36 void titleAndSiteInfo() {
37   fill(0);
38   textAlign(CENTER);    //set the text centered
39   textSize(40);         //set text size
40   text("SoftLight", width / 2, 40);    //title
41   textSize(16);
42   text("www.freenove.com", width / 2, height - 20);    //site
43 }
```



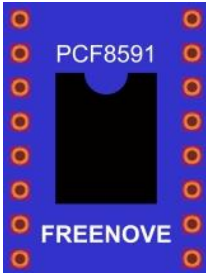
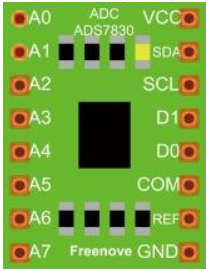



In this project code, get the ADC value of the potentiometer, then map it into the PWM duty cycle of LED to control its brightness. In Display Window, the color filled in LED pattern changes to simulate the brightness change of LED.

```
int adcValue = adc.analogRead(0);    //Read the ADC value of channel 0
float volt = adcValue*3.3/255.0;    //calculate the voltage
float dt = adcValue/255.0;
p.softPwmWrite((int)(dt*100));    //output the pwm
```


Project 7.2 NightLamp

A Photoresistor is very sensitive to the amount of light present. We can take advantage of the characteristic to make a nightlight with the following function. When the ambient light is less (darker environment), the LED will automatically become brighter to compensate and when the ambient light is greater (brighter environment) the LED will automatically dim to compensate.

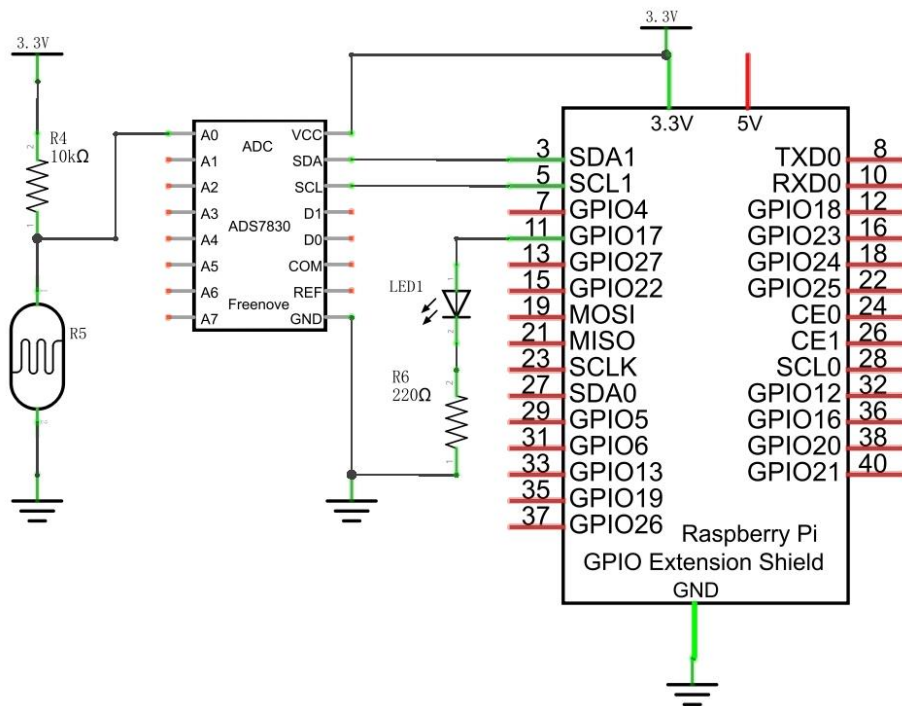
Component List

Raspberry Pi x1 GPIO Extension Board & Wire x1 Breadboard x1		Jumper M/M 			
Photoresistor x1 	ADC module x1  or 	10kΩ x3 	220Ω x1 	LED x1 	

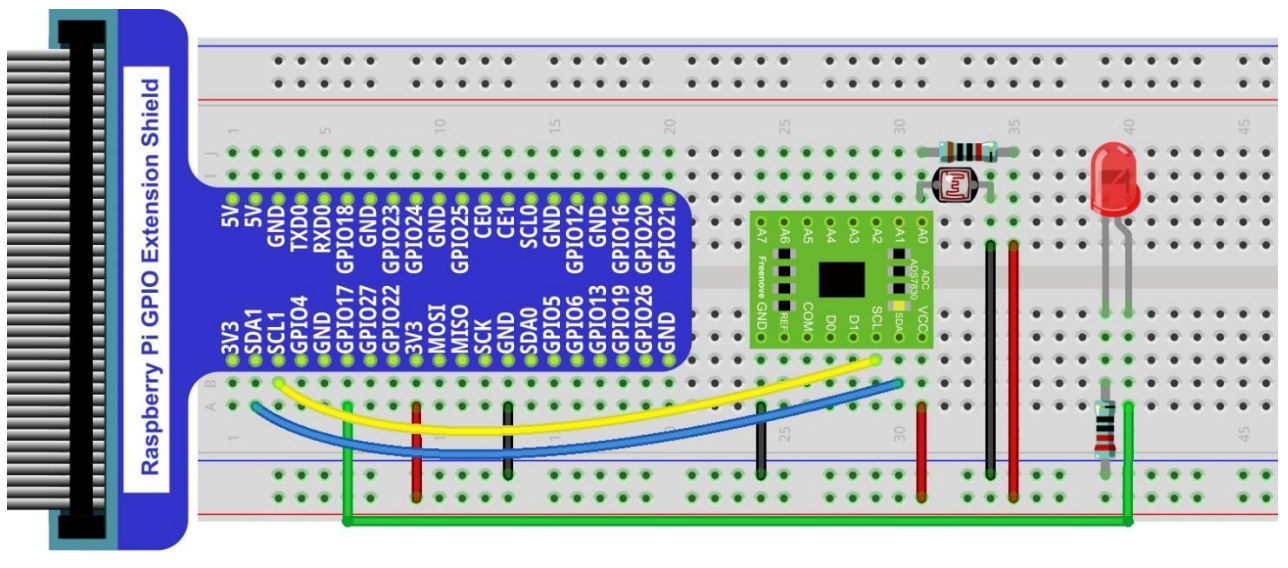
Circuit with ADS7830

The circuit of this experiment is similar to the one in last chapter. The only difference is that the input signal of the AIN0 pin of ADC is changed from a potentiometer to a combination of a photoresistor and a resistor.

Schematic diagram



Hardware connection



Sketch

The project code is the same as the previous section "SoftLight" except for the title.



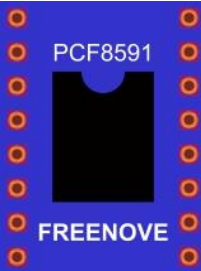
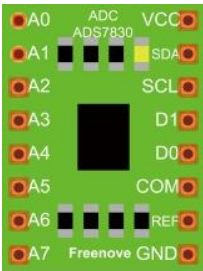

Chapter 8 Thermistor

In this chapter, we will learn how to use a thermistor.

Project 8.1 Thermometer

In this project, we will use a thermistor to make a thermometer.

Component List

Raspberry Pi x1 GPIO Extension Board & Wire x1 Breadboard x1	Jumper M/M 
Thermistor x1 	ADC module x1  or 
	Resistor 10kΩ x3 

Component knowledge

First Review the knowledge of thermistor. The relationship between resistance value and temperature of thermistor is:

$$R_t = R \cdot \text{EXP} [B \cdot (1/T_2 - 1/T_1)]$$

Where:

R_t is the thermistor resistance under T₂ temperature;

R is in the nominal resistance of thermistor under T₁ temperature;

EXP[n] is nth power of e;

B is for thermal index;

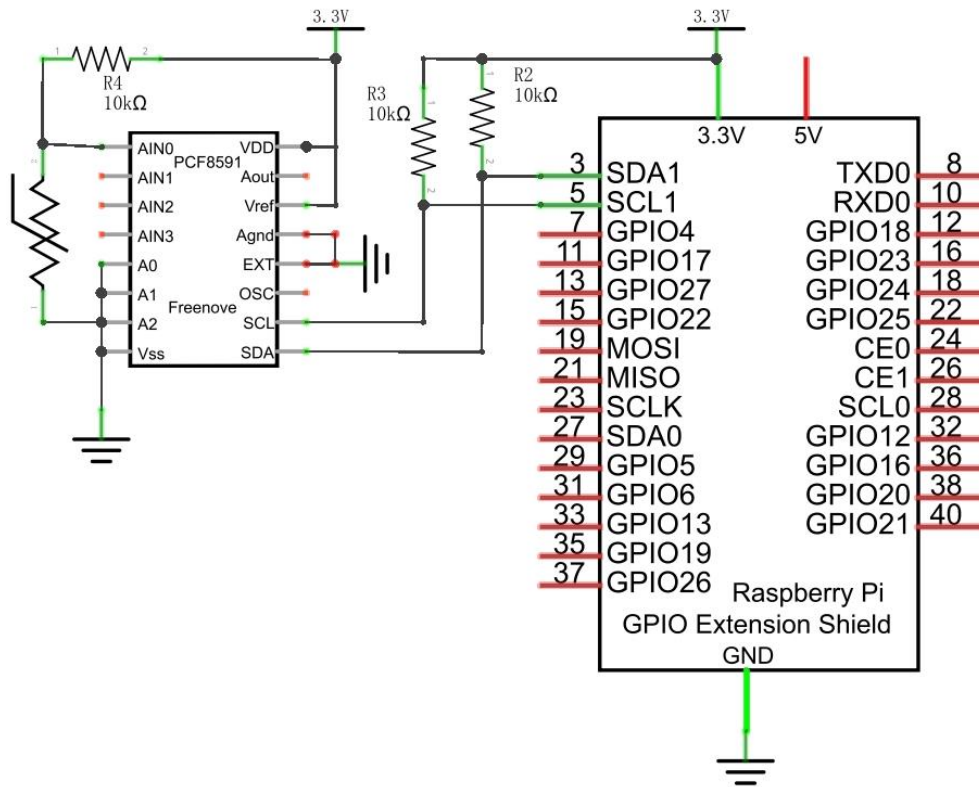
T₁, T₂ is Kelvin temperature (absolute temperature). Kelvin temperature=273.15+celsius temperature.

Parameters of the thermistor we use is: B=3950, R=10k, T₁=25.

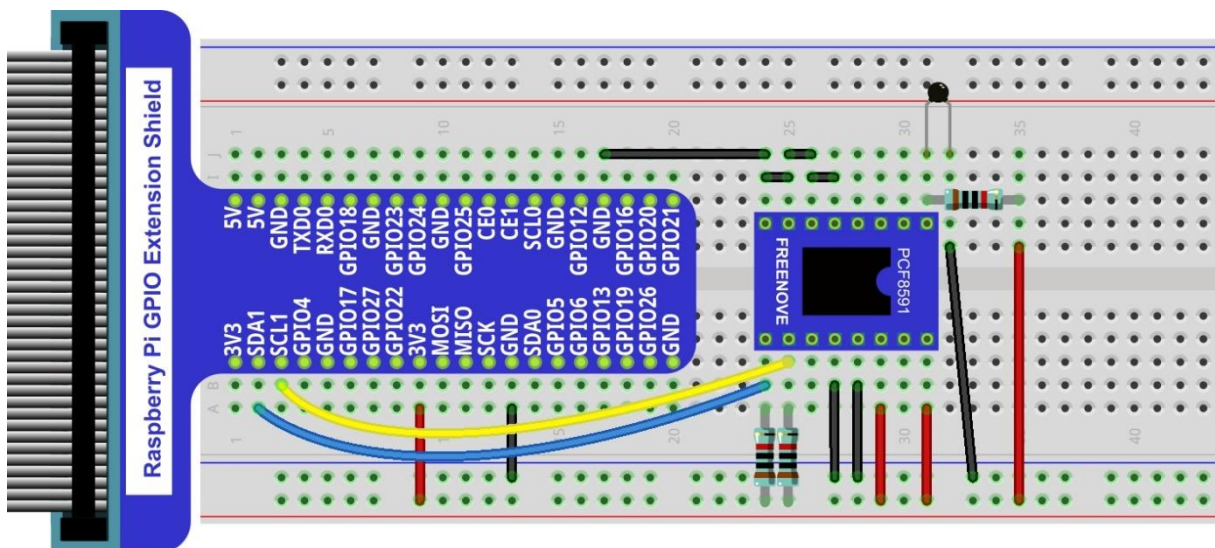
Circuit with PCF8591

The circuit of this experiment is similar to the one in the previous chapter. The only difference is that the photoresistor is replaced by a thermistor.

Schematic diagram



Hardware connection



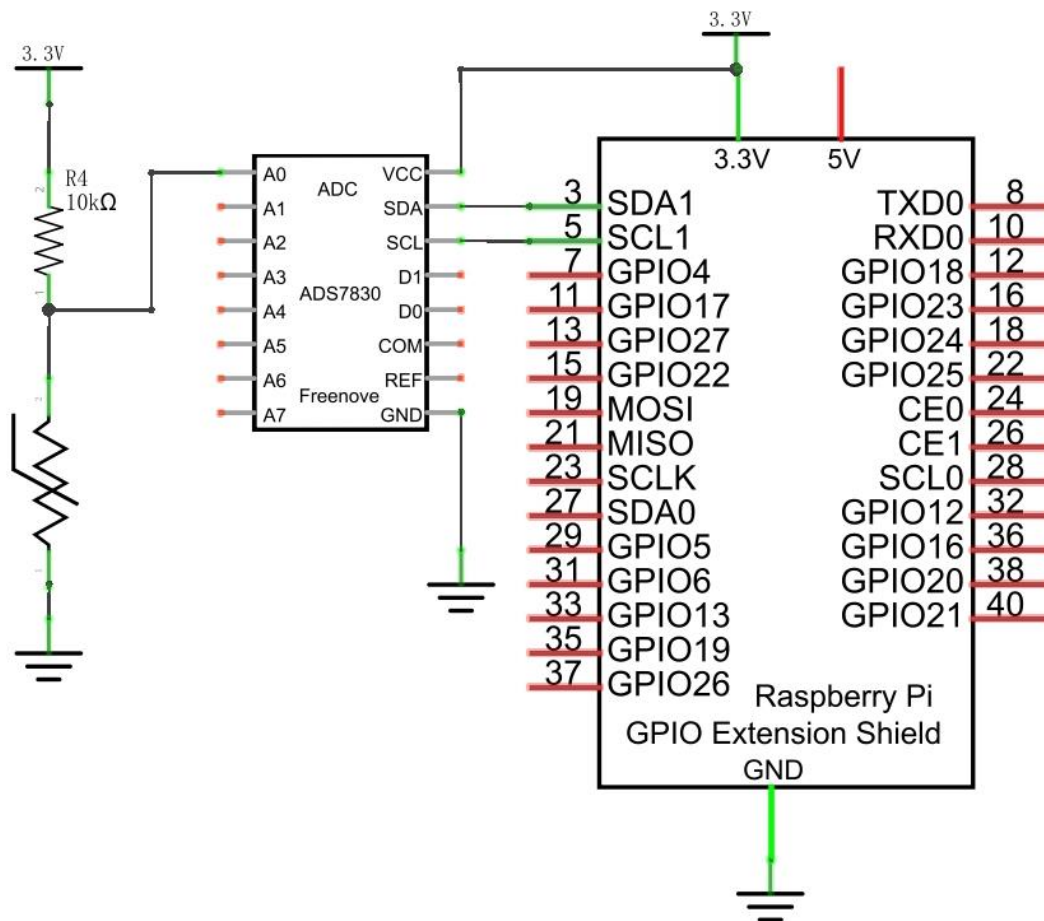
The formula for calculating temperature according to the circuit is shown below:

$$T2 = 1/(1/T1 + \ln(Rt/R)/B)$$

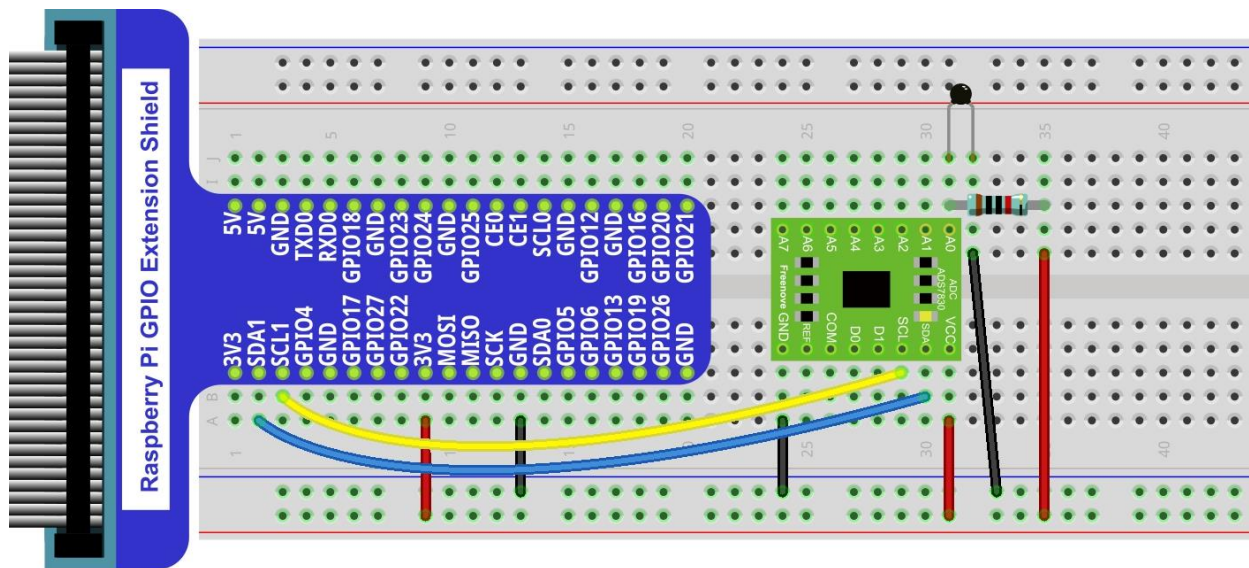
Circuit with ADS7830

The circuit of this project is similar to the one in the previous chapter. The only difference is that the photoresistor is replaced by a thermistor.

Schematic diagram



Hardware connection. If you need any support, please feel free to contact us via: support@freenove.com



Sketch

Sketch 8.1.1 Thermometer

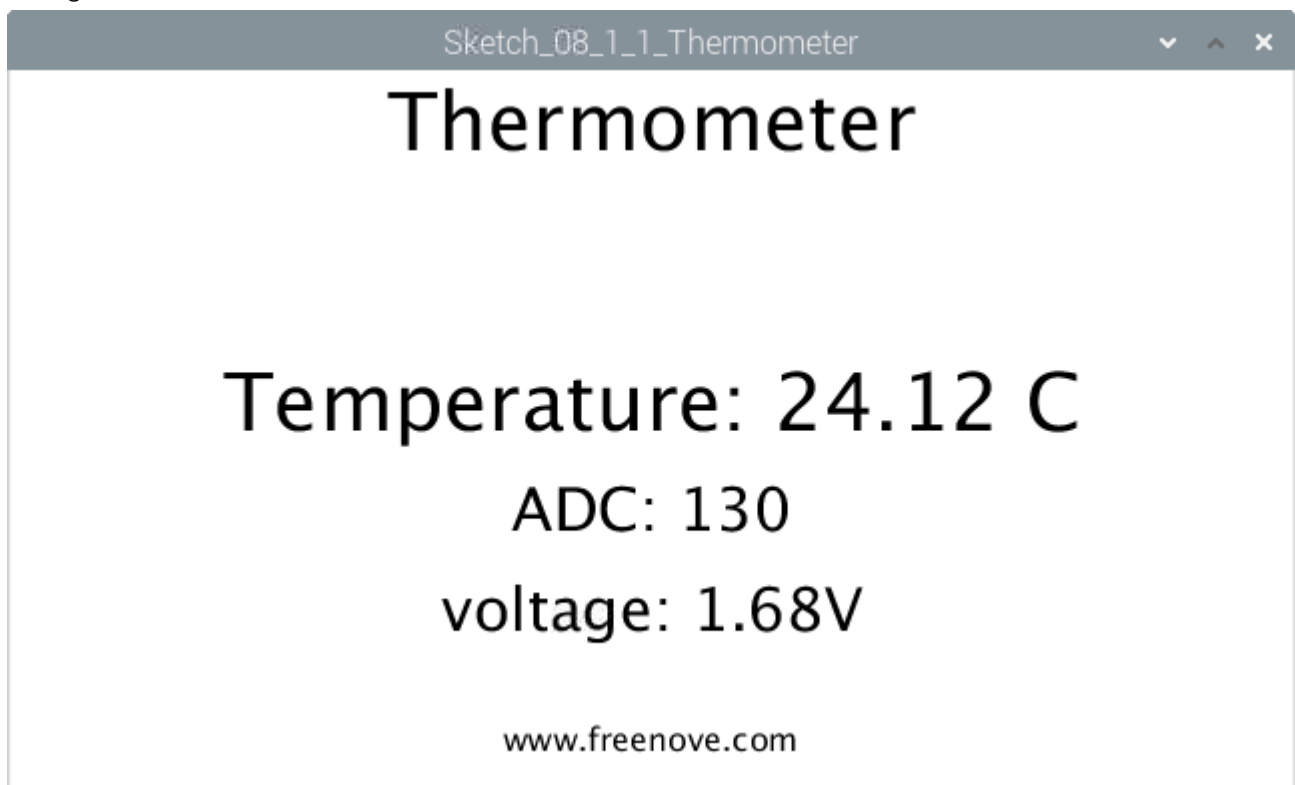
First, observe the result after running the sketch, and then learn about the code in detail.

1. Use Processing to open the file Sketch_08_1_1_Thermometer.

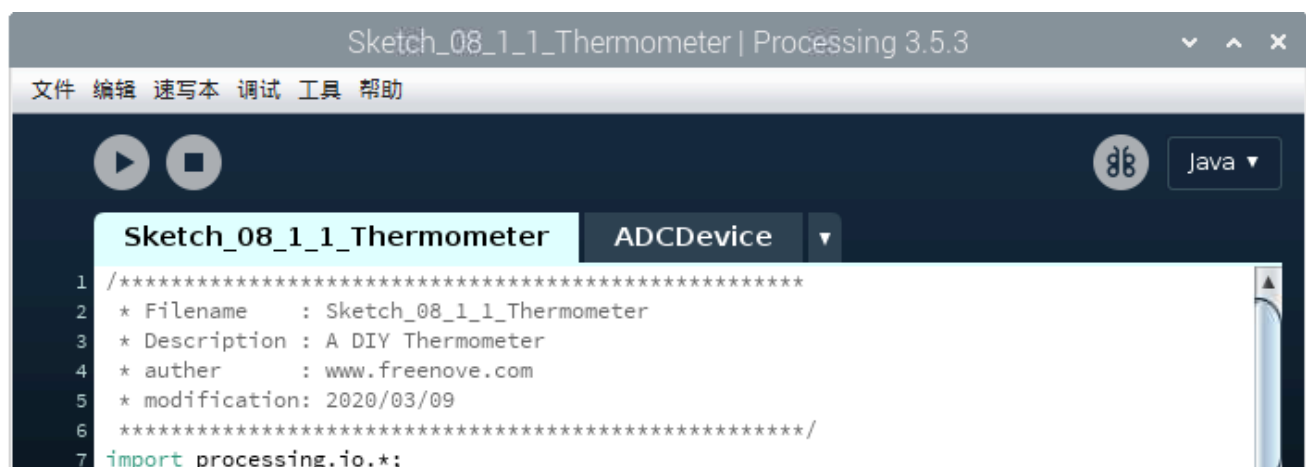
```
processing
~/Freenove_Kit/Processing/Sketches/Sketch_08_1_1_Thermometer/Sketch_08_1_1_Thermometer.pde
```

2. Click on "RUN" to run the code.

After the program is executed, the Display Window will show the current temperature, the ADC value and the voltage value.



This project contains a lot of code files, and the core code is contained in the file Sketch_08_1_1_Thermometer. The other files only contain some custom classes.



The following is program code:

```

1  import processing.io.*;
2  //Create an object of class ADCDevice
3  ADCDevice adc = new ADCDevice();
4  void setup() {
5      size(640, 360);
6      if (adc.detectI2C(0x48)) {
7          adc = new PCF8591(0x48);
8      } else if (adc.detectI2C(0x4b)) {
9          adc = new ADS7830(0x4b);
10     } else {
11         println("Not found ADC Module!");
12         System.exit(-1);
13     }
14 }
15 void draw() {
16     int adcValue = adc.analogRead(0); //Read the ADC value of channel 0
17     float volt = adcValue*3.3/255.0; //calculate the voltage
18     float tempK, tempC, Rt; //
19     Rt = 10*volt / (3.3-volt); //calculate the resistance value of thermistor
20     tempK = 1/(1/(273.15+25) + log(Rt/10)/3950); //calculate temperature(Kelvin)
21     tempC = tempK - 273.15; // calculate temperature(Celsius)
22
23     background(255);
24     titleAndSiteInfo();
25
26     fill(0);
27     textAlign(CENTER); //set the text centered
28     textSize(30);
29     text("ADC: "+nf(adcValue, 0, 0), width / 2, height/2+50);
30     textSize(30);
31     text("voltage: "+nf(volt, 0, 2)+"V", width / 2, height/2+100);
32     textSize(40); //set text size
33     text("Temperature: "+nf(tempC, 0, 2)+" C", width / 2, height/2); //
34 }
35 void titleAndSiteInfo() {
36     fill(0);
37     textAlign(CENTER); //set the text centered
38     textSize(40); //set text size
39     text("Thermometer", width / 2, 40); //title
40     textSize(16);
41     text("www.freenove.com", width / 2, height - 20); //site
42 }

```


In this project code, first read ADC, and then calculate the current temperature according to the Ohm's law and temperature formula mentioned before, finally display them on Display Window.

```
int adc = pcf.analogRead(0); //Read the ADC value of channel 0
float volt = adc*3.3/255.0; //calculate the voltage
float tempK, tempC, Rt; //
Rt = 10*volt / (3.3-volt); //calculate the resistance value of thermistor
tempK = 1/(1/(273.15+25) + log(Rt/10)/3950); //calculate temperature(Kelvin)
tempC = tempK - 273.15; //calculate temperature(Celsius)
```


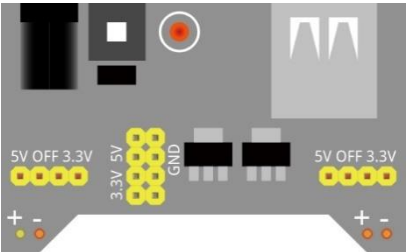

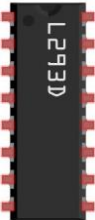

Chapter 9 Motor & Driver

In this chapter, we will learn how to use a DC motor, including how to control the speed and direction of the motor.

Project 9.1 Motor

In this project, we use L293D to drive the DC motor. We can click on the button in the Processing Display Window to control motor direction, and drag the progress bar to control the motor speed.

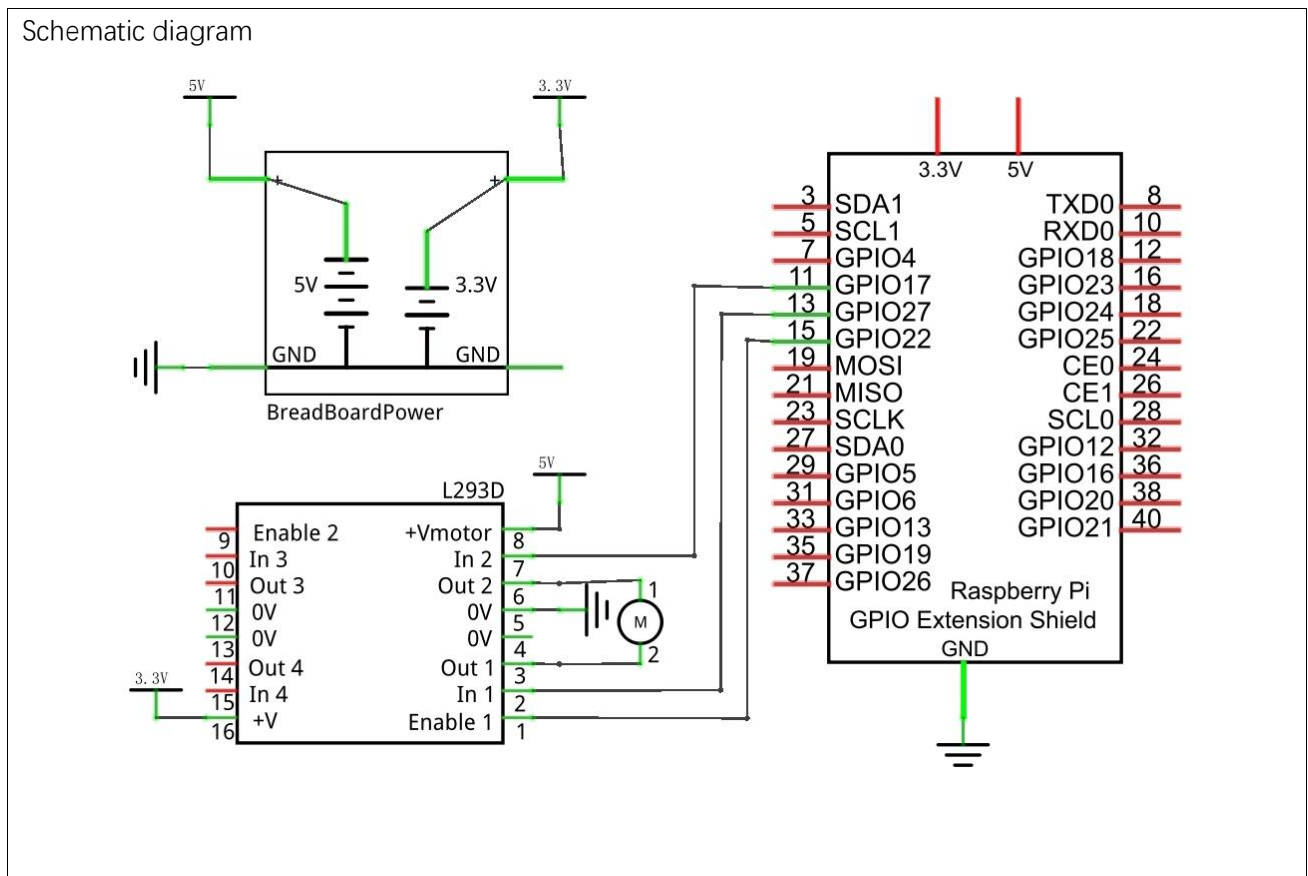
Component List

Raspberry Pi x1 GPIO Extension Board & Wire x1 Breadboard x1	Jumper M/M x22 	
Breadboard power module x1 	Motor x1 	L293D 
9V Battery (provided by yourself) & battery cable 		

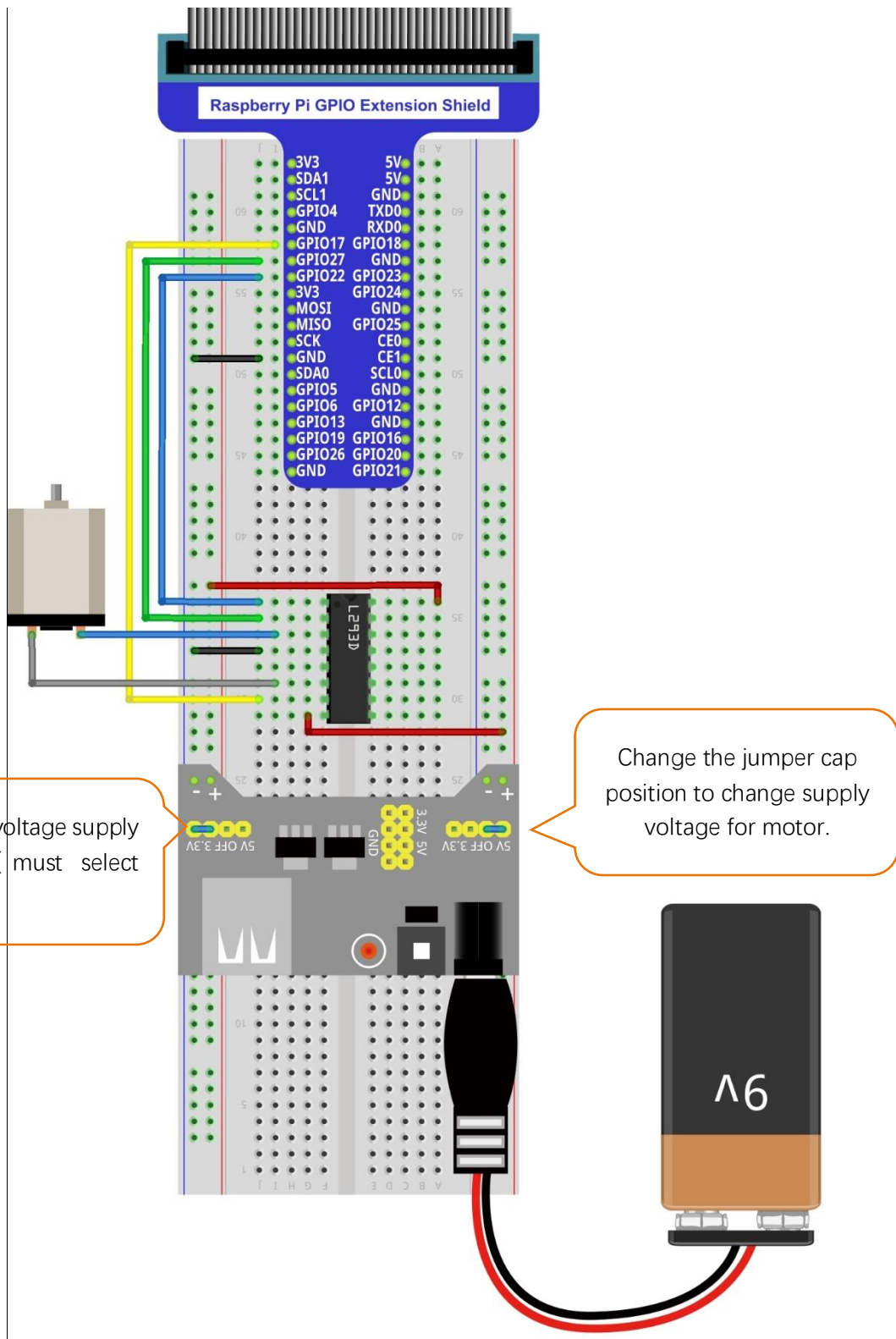
Circuit

Use caution: when connecting this circuit, because the DC Motor is a high-power component, **do not use the power provided by the RPi to power the motor directly, as this may cause permanent damage to your RPi!**

The logic circuit can be powered by the RPi's power or an external power supply, which should share a common ground with RPi.



Hardware connection



Sketch

Sketch 9.1.1 Motor

First, observe the result after running the sketch, and then learn about the code in detail.

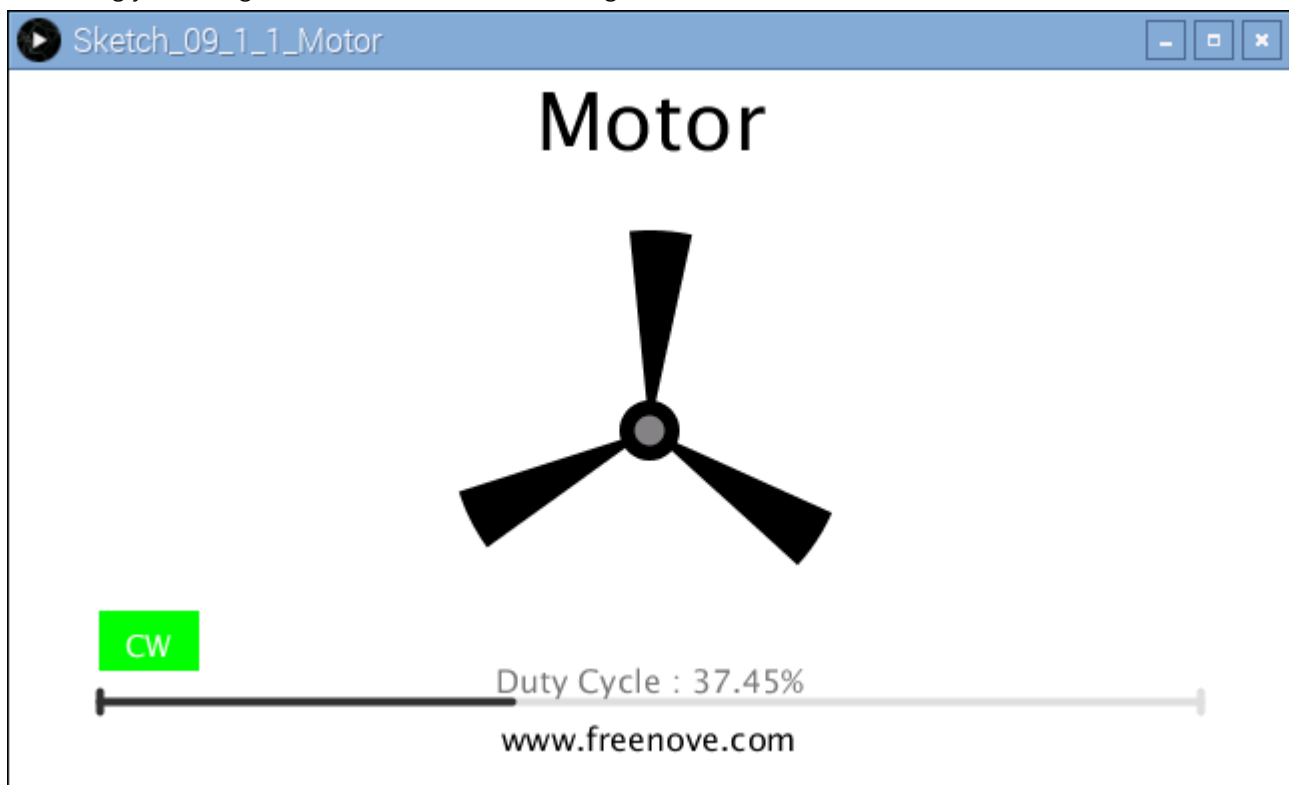
1. Use Processing to open the file Sketch_09_1_1_Motor.

processing

~/Freenove_Kit/Processing/Sketches/Sketch_09_1_1_Motor/Sketch_09_1_1_ Motor.pde

2. Click on "RUN" to run the code.

After the program is executed, a virtual fan, a button and a progress bar are shown on Display Window. Dragging the progress bar can change the motor speed, and the virtual fan will rotate with different speed accordingly. Clicking Button with mouse can change the motor rotation direction.



This project contains a lot of code files, and the core code is contained in the file Sketch_09_1_1_Motor. The other files only contain some custom classes.



The following is program code:

```

1  import processing.io.*;
2
3  int motorPin1 = 17;    //connect to the L293D
4  int motorPin2 = 27;
5  int enablePin = 22;
6  final int borderSize = 45;    //border size
7  //MOTOR Object
8  MOTOR motor = new MOTOR(motorPin1, motorPin2, enablePin);
9  ProgressBar mBar;    //ProgressBar Object
10 boolean mMouse = false;    //determined whether a mouse click the ProgressBar
11 BUTTON btn;    //BUTTON Object, For controlling the direction of motor
12 int motorDir = motor.CW;    //motor direction
13 float rotaSpeed = 0, rotaPosition = 0;    //motor speed
14 void setup() {
15     size(640, 360);
16     mBar = new ProgressBar(borderSize, height-borderSize, width-borderSize*2);
17     mBar.setTitle("Duty Cycle");    //set the ProgressBar's title
18     btn = new BUTTON(45, height - 90, 50, 30);    //define the button
19     btn.setBgColor(0, 255, 0);    //set button color
20     btn.setText("CW");    //set button text
21 }
22
23 void draw() {
24     background(255);
25     titleAndSiteInfo();    //title and site information
26     strokeWeight(4);    //border weight
27     mBar.create();    //create the ProgressBar
28     motor.start(motorDir, (int)(mBar.progress*100));    //control the motor starts to rotate
29     btn.create();    //create the button
30     rotaSpeed = mBar.progress * 0.02 * PI;    //virtual fan's rotating speed
31     if (motorDir == motor.CW) {
32         rotaPosition += rotaSpeed;
33         if (rotaPosition >= 2*PI) {
34             rotaPosition = 0;
35         }
36     } else {
37         rotaPosition -= rotaSpeed;
38         if (rotaPosition <= -2*PI) {
39             rotaPosition = 0;
40         }
41     }
42     drawFan(rotaPosition);    //show the virtual fan in Display window
43 }

```

```
44 //Draw a clover fan according to the stating angle
45 void drawFan(float angle) {
46     constrain(angle, 0, 2*PI);
47     fill(0);
48     for (int i=0; i<3; i++) {
49         arc(width/2, height/2, 200, 200, 2*i*PI/3+angle, (2*i+0.3)*PI/3+angle, PIE);
50     }
51     fill(0);
52     ellipse(width/2, height/2, 30, 30);
53     fill(128);
54     ellipse(width/2, height/2, 15, 15);
55 }
56
57 void mousePressed() {
58     if ( (mouseY< mBar.y+5) && (mouseY>mBar.y-5) ) {
59         mMouse = true; //the mouse clicks the progressBar
60     } else if ((mouseY< btn.y+btn.h) && (mouseY>btn.y)
61         && (mouseX< btn.x+btn.w) && (mouseX>btn.x)) { // the mouse clicks the button
62         if (motorDir == motor.CW) { //change the direction of rotation of motor
63             motorDir = motor.CCW;
64             btn.setBackgroundColor(255, 0, 0);
65             btn.setText("CCW");
66         } else if (motorDir == motor.CCW) {
67             motorDir = motor.CW;
68             btn.setBackgroundColor(0, 255, 0);
69             btn.setText("CW");
70         }
71     }
72 }
73 void mouseReleased() {
74     mMouse = false;
75 }
76 void mouseDragged() {
77     int a = constrain(mouseX, borderSize, width - borderSize);
78     float t = map(a, borderSize, width - borderSize, 0.0, 1.0);
79     if (mMouse) {
80         mBar.setProgress(t);
81     }
82 }
83 void titleAndSiteInfo() {
84     fill(0);
85     textAlign(CENTER); //set the text centered
86     textSize(40); //set text size
87     text("Motor", width / 2, 40); //title
```

```

88     textSize(16);
89     text("www.freenove.com", width / 2, height - 20);    //site
90 }

```

First define the GPIO pin connected to the Motor, motor class object, the L293D class object, the ProgressBar class object, the Button class object, and some variables.

```

int motorPin1 = 17;    //connect to the L293D
int motorPin2 = 27;
int enablePin = 22;
final int borderSize = 45;    //border size
//MOTOR Object
MOTOR motor = new MOTOR(motorPin1, motorPin2, enablePin);
ProgressBar mBar;    //ProgressBar Object
boolean mMouse = false;    //determined whether a mouse click the ProgressBar
BUTTON btn;    //BUTTON Object, For controlling the direction of motor
int motorDir = motor.CW;    //motor direction
float rotaSpeed = 0, rotaPosition = 0;    //motor speed

```

Initialize the ProgressBar and Button in setup().

```

mBar = new ProgressBar(borderSize, height-borderSize, width-borderSize*2);
mBar.setTitle("Duty Cycle");    //set the ProgressBar's title
btn = new BUTTON(45, height - 90, 50, 30);    //define the button
btn.setBgColor(0, 255, 0);    //set button color
btn.setText("CW");    //set button text

```

In function draw(), draw all the contents to be displayed. Then set the motor speed, as well as the speed of virtual fan according to the progress of progress bar. And set the motor direction according to the button flag.

```

void draw() {
    background(255);
    titleAndSiteInfo();    //title and site information
    strokeWeight(4);    //border weight
    mBar.create();    //create the ProgressBar
    motor.start(motorDir, (int)(mBar.progress*100));    //control the motor starts to rotate
    btn.create();    //create the button
    rotaSpeed = mBar.progress * 0.02 * PI;    //virtual fan's rotating speed
    if (motorDir == motor.CW) {
        rotaPosition += rotaSpeed;
        if (rotaPosition >= 2*PI) {
            rotaPosition = 0;
        }
    } else {
        rotaPosition -= rotaSpeed;
        if (rotaPosition <= -2*PI) {

```



```

        rotaPosition = 0;
    }
}
drawFan(rotaPosition); //show the virtual fan in Display window
}

```

In the mousePressed(), determine whether the Button is clicked on. If the mouse clicked on the Button, then change the motor direction and the text and color of Button. We have learned how to drag ProgressBar before, so here is no introduction.

```

else if ((mouseY < btn.y+btn.h) && (mouseY > btn.y)
&& (mouseX < btn.x+btn.w) && (mouseX > btn.x)) { // the mouse clicks the button
if (motorDir == motor.CW) { //change the direction of rotation of motor
motorDir = motor.CCW;
btn.setBgColor(255, 0, 0);
btn.setText("CCW");
} else if (motorDir == motor.CCW) {
motorDir = motor.CW;
btn.setBgColor(0, 255, 0);
btn.setText("CW");
}
}

```

Subfunction drawFan(float angle) is used to draw a three-blade fan, based on an initial angle. And the angle between each two blades is 120°. Changing the value of "angle" can make the fan rotate to different angles.

```

void drawFan(float angle) {
constrain(angle, 0, 2*PI);
fill(0);
for (int i=0; i<3; i++) {
arc(width/2, height/2, 200, 200, 2*i*PI/3+angle, (2*i+0.3)*PI/3+angle, PIE);
}
fill(0);
ellipse(width/2, height/2, 30, 30);
fill(128);
ellipse(width/2, height/2, 15, 15);
}

```

Reference

class MOTOR

This is a custom class that is used to operate the motor controlled by L293D.

```
public MOTOR(int pin1, int pin2, int enablePin)
```

Constructor, the first two parameters are GPIO pins connected to the L293D pin, and the enablePin is used to create a PWM pin within the range of 0-100 and with frequency of 100Hz.

```
public void start(int dir, int speed)
```

Used to drive motor. Parameter dir represents the rotation direction, whose value is CW, CCW, STOP.

Parameter speed is used to decide the duty cycle of PWM. Its value is within the range of 0-100.

About class BUTTON:

class BUTTON

This is a custom class that is used to create a Button.

```
public BUTTON(int ix, int iy, int iw, int ih)
```

Constructor, used to create a BUTTON class object. The parameters are for the location and size of the button to be created.

```
public void create()
```

Used to draw Button.

```
public void setBgColor(int ir, int ig, int ib)
```

Used to set Button color.

```
public void setText(String str)
```

Used to set Button text.

```
public void setTextColor(int ir, int ig, int ib)
```

Used to set text color.

Chapter 10 74HC595 & LED Bar Graph

In this chapter, we will learn how to use 74HC595 chip to control Graph LED Bar.

Project 10.1 FollowLight

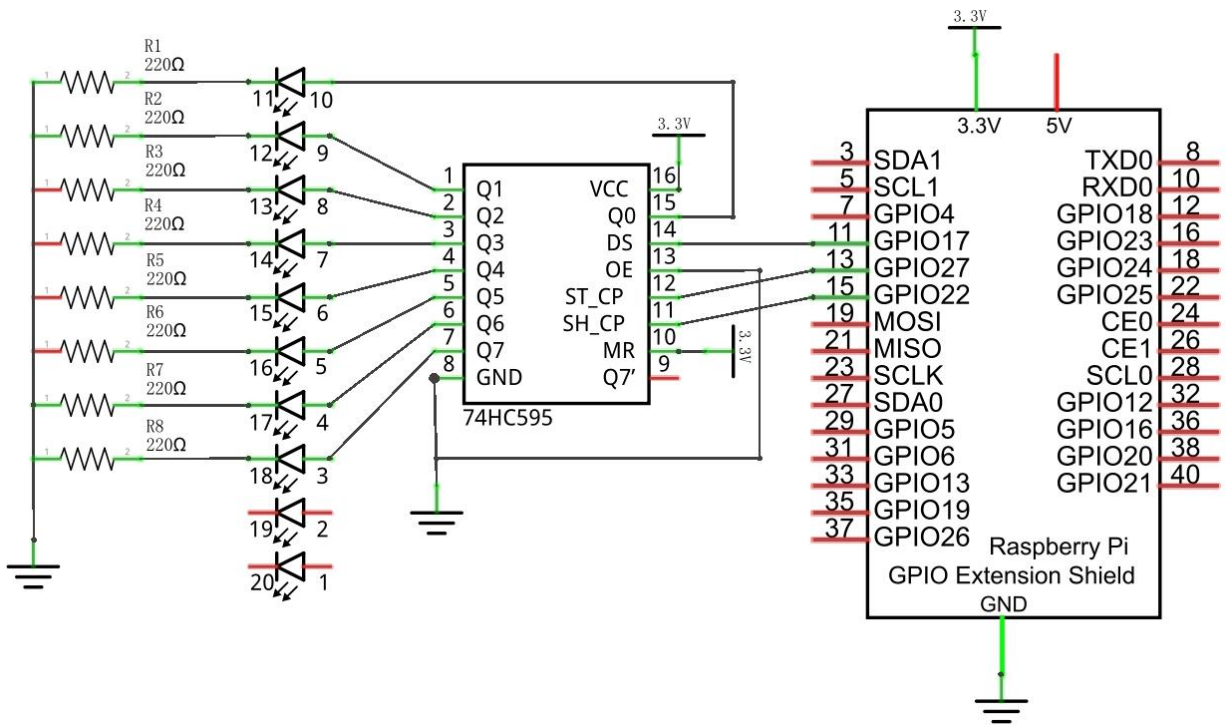
In this chapter, we will use 74HC595 chip and LED Bar Graph to recreate a FollowLight.

Component List

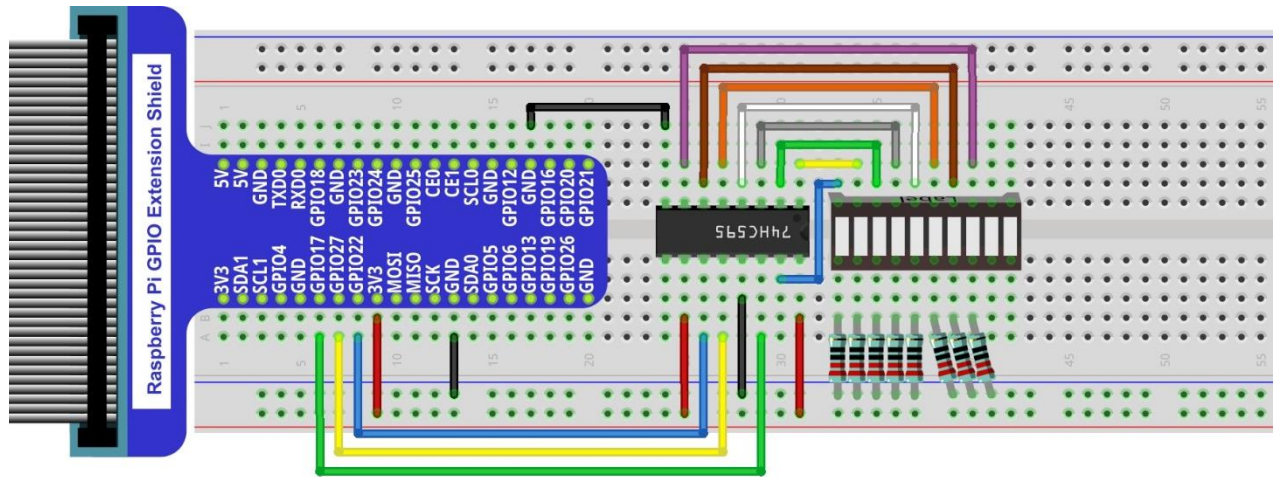
Raspberry Pi x1 GPIO Extension Board & Wire x1 Breadboard x1	Jumper M/M x17 	
74HC595 x1 	LEDBar Graph x1 	Resistor 220Ω x8 

Circuit

Schematic diagram



Hardware connection



Sketch

Sketch 10.1.1 LightWater

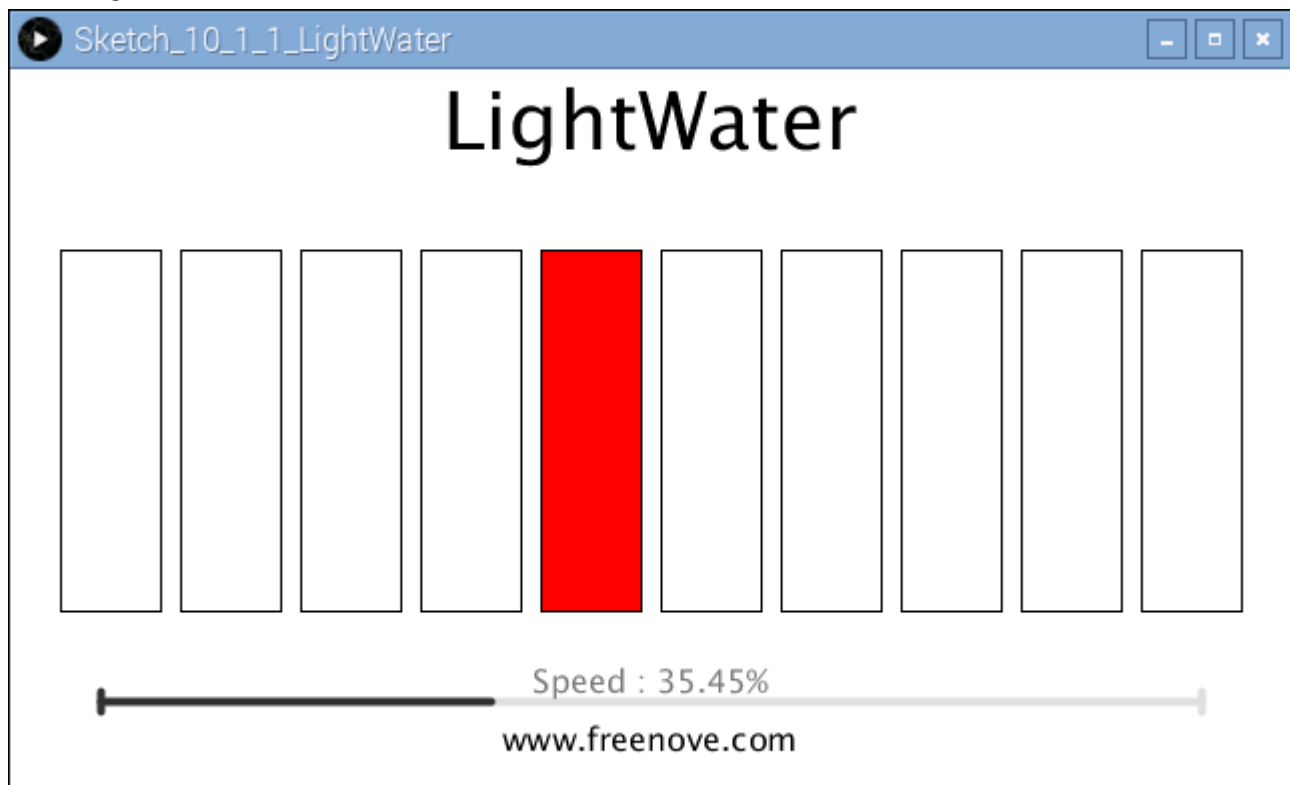
First, observe the result after running the sketch, and then learn about the code in detail.

1. Use Processing to open the file Sketch_10_1_1_LightWater.

```
processing
~/Freenove_Kit/Processing/Sketches/Sketch_10_1_1_LightWater/Sketch_10_1_1_LightWater.pde
```

2. Click on "RUN" to run the code.

After the program is executed, Display Window shows a virtual LED Bar Graph, which will bright at the same rate and in the same way as the LED Bar Graph in the circuit. Dragging the progress bar can adjust the flow rate of light water.



This project contains a lot of code files, and the core code is contained in the file Sketch_10_1_1_LightWater. The other files only contain some custom classes.

```

Sketch_10_1_1_LightWater | Processing 3.1.2
File Edit Sketch Debug Tools Help

Sketch_10_1_1_LightWater IC74HC595 ProgressBar
4 * auther      : www.freenove.com
5 * modification: 2016/08/22
6 *****/
7 import processing.io.*;

```

The following is program code:

```

1  import processing.io.*;
2
3  int dataPin = 17;    //connect to the 74HC595
4  int latchPin = 27;
5  int clockPin = 22;
6  final int borderSize = 45;    //border size
7  ProgressBar mBar;    //ProgressBar Object
8  IC74HC595 ic;    //IC74HC595 Object
9  boolean mMouse = false;    //determined whether a mouse click the ProgressBar
10 int leds = 0x01;    //number of led on
11 int lastMoveTime = 0;    //led last move time point
12 void setup() {
13     size(640, 360);
14     mBar = new ProgressBar(borderSize, height-borderSize, width-borderSize*2);
15     mBar.setTitle("Speed");    //set the ProgressBar's title
16     ic = new IC74HC595(dataPin, latchPin, clockPin);
17 }
18
19 void draw() {
20     background(255);
21     titleAndSiteInfo();    //title and site information
22     strokeWeight(4);    //border weight
23     mBar.create();    //create the ProgressBar
24     //control the speed of lightwater
25     if (millis() - lastMoveTime > 50/(0.05+mBar.progress)) {
26         lastMoveTime = millis();
27         leds<<=1;
28         if (leds == 0x100)
29             leds = 0x01;
30     }
31     ic.write(ic.LSBFIRST, leds);    //write 74HC595
32
33     stroke(0);

```

```

34  strokeWidth(1);
35  for (int i=0; i<10; i++) { //draw 10 rectangular box
36      if (leds == (1<<i)) { //
37          fill(255, 0, 0); //fill the rectangular box in red color
38      } else {
39          fill(255, 255, 255); //else fill the rectangular box in white color
40      }
41      rect(25+60*i, 90, 50, 180); //draw a rectangular box
42  }
43 }
44
45 void mousePressed() {
46     if ( (mouseY< mBar.y+5) && (mouseY>mBar.y-5) ) {
47         mMouse = true; //the mouse click the progressBar
48     }
49 }
50 void mouseReleased() {
51     mMouse = false;
52 }
53 void mouseDragged() {
54     int a = constrain(mouseX, borderSize, width - borderSize);
55     float t = map(a, borderSize, width - borderSize, 0.0, 1.0);
56     if (mMouse) {
57         mBar.setProgress(t);
58     }
59 }
60 void titleAndSiteInfo() {
61     fill(0);
62     textAlign(CENTER); //set the text centered
63     textSize(40); //set text size
64     text("LightWater", width / 2, 40); //title
65     textSize(16);
66     text("www.freenove.com", width / 2, height - 20); //site
67 }

```

First define the GPIO pin connected to 74HC595, the ProgressBar class object, IC74HC595 class object, and some other variables.

```

int dataPin = 17; //connect to the 74HC595
int latchPin = 27;
int clockPin = 22;
final int borderSize = 45; //border size
ProgressBar mBar; //ProgressBar Object
IC74HC595 ic; //IC74HC595 Object
boolean mMouse = false; //determined whether a mouse click the ProgressBar

```

```
int leds = 0x01;           //number of led on
int lastMoveTime = 0;     //led last move time point
```

In the function setup(), instantiate ProgressBar class object and IC74HC595 class object.

```
mBar = new ProgressBar(borderSize, height-borderSize, width-borderSize*2);
mBar.setTitle("Speed"); //set the ProgressBar's title
ic = new IC74HC595(dataPin, latchPin, clockPin);
```

In the function draw(), set the background, text, and other information and draw the progress bar.

```
background(255);
titleAndSiteInfo(); //title and site information
strokeWeight(4); //border weight
mBar.create(); //create the ProgressBar
```

Then according to the speed of followlight, calculate the data "leds" for 74HC595, and write it to 74HC595, then LEDBar Graph is turned on.

```
if (millis() - lastMoveTime > 50/(0.05+mBar.progress)) {
  lastMoveTime = millis();
  leds<<=1;
  if (leds == 0x100)
    leds = 0x01;
}
ic.write(ic.LSBFIRST, leds); //write 74HC595
```

Finally, according to the variable leds, draw the virtual LEDBar Graph on Display Window.

```
stroke(0);
strokeWeight(1);
for (int i=0; i<10; i++) { //draw 10 rectangular box
  if (leds == (1<<i)) { //
    fill(255, 0, 0); //fill the rectangular box in red color
  } else {
    fill(255, 255, 255); //else fill the rectangular box in white color
  }
  rect(25+60*i, 90, 50, 180); //draw a rectangular box
}
```

About class IC74HC595:

class IC74HC595

This is a custom class that is used to operate integrated circuit 74HC595.

```
public IC74HC595(int dPin, int lPin, int cPin)
```

Constructor. The parameters are for the GPIO pins connected to 74HC595.

```
public void write(int order,int value)
```

Used to write data to 74HC595, and the 74HC595 output port will output these data immediately.





Chapter 11 74HC595 & Seven-segment display.

In this chapter, we will learn a new component, Seven-segment display (SSD).

Project 11.1 Seven -segment display.

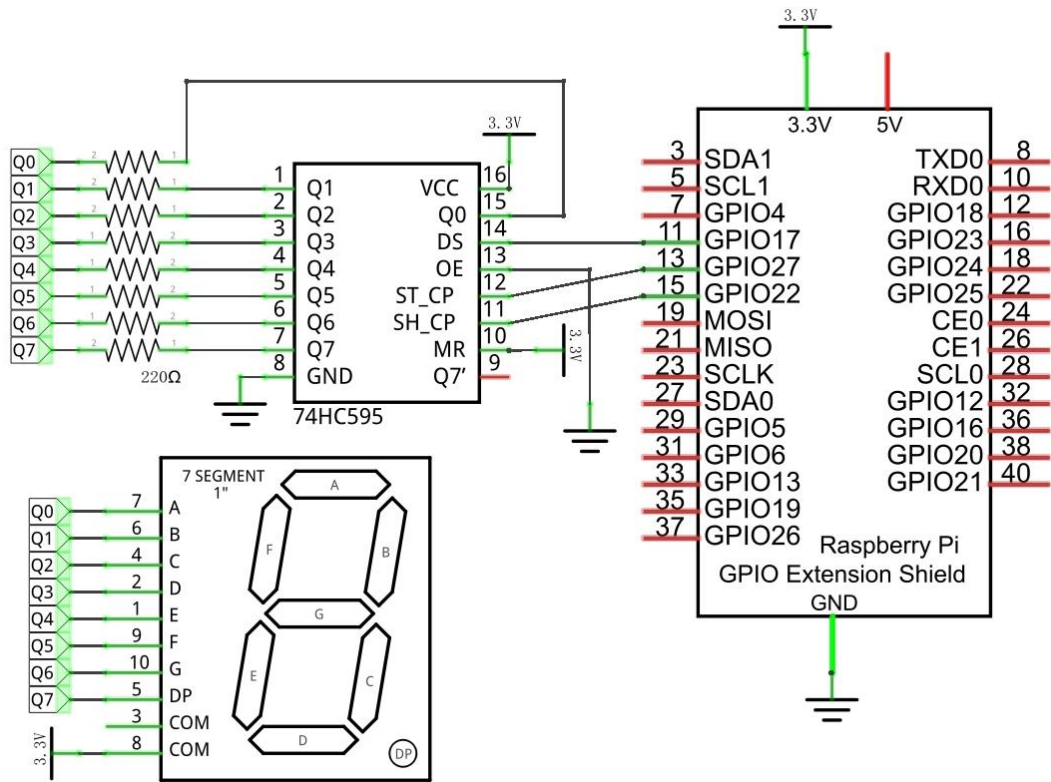
We will use 74HC595 to control Seven-segment display (SSD) and make it display decimal character "0-9".

Component List

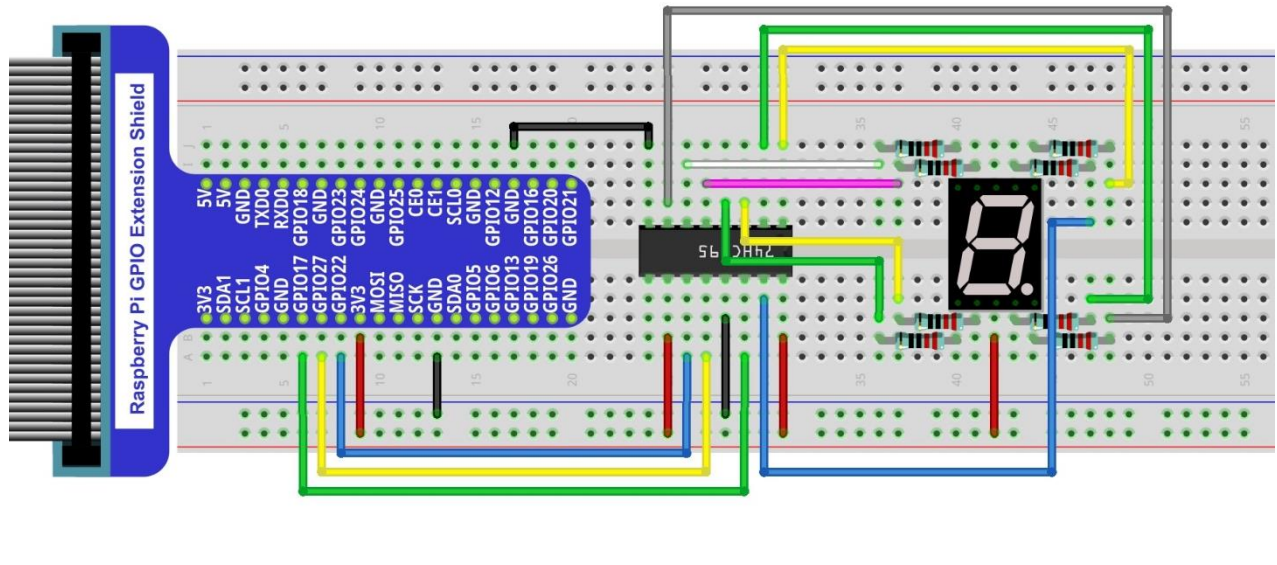
Raspberry Pi x1 GPIO Extension Board & Wire x1 Breadboard x1	Jumper M/M x18 	
74HC595 x1 	7-segment display x1 	Resistor 220Ω x8 

Circuit

Schematic diagram



Hardware connection



Sketch

Sketch 11.1.1 SSD

First observe the result after running the sketch, and then learn about the code in detail.

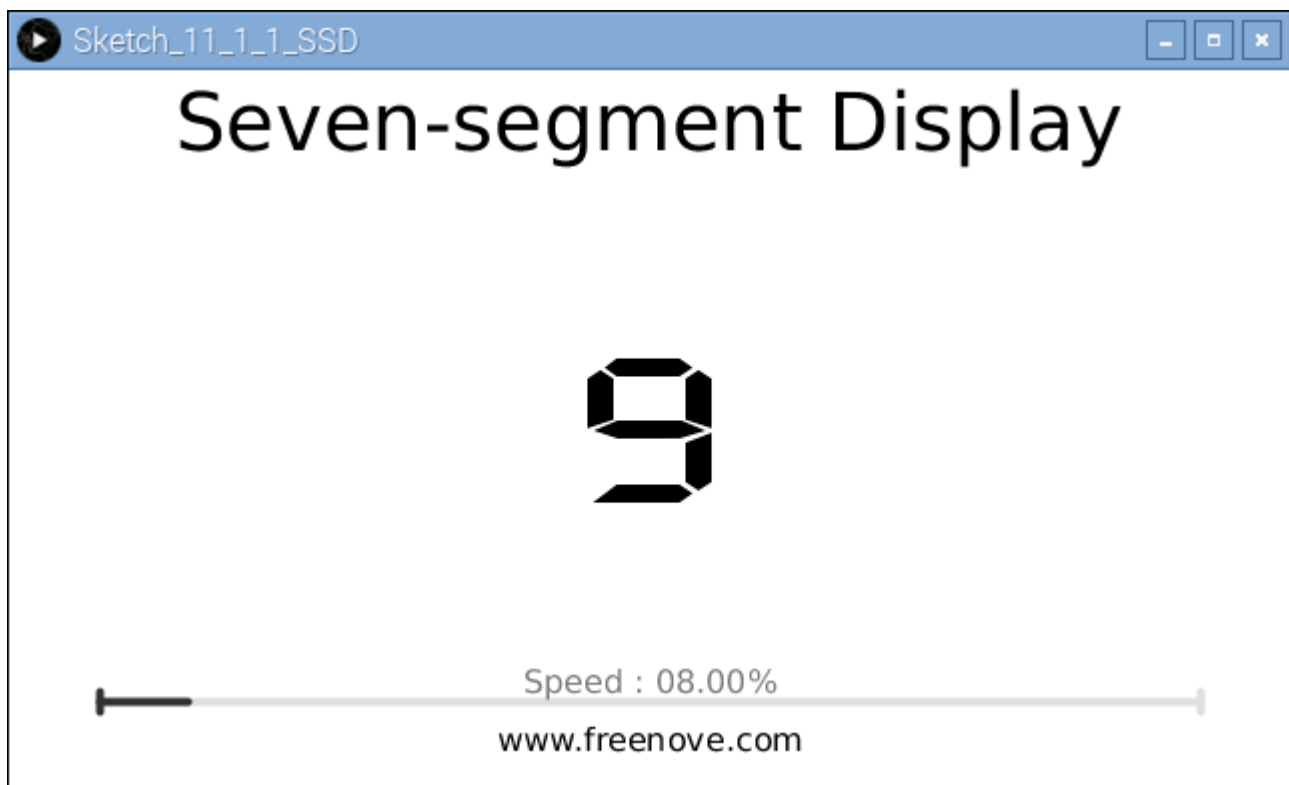
1. Use Processing to open the file Sketch_11_1_1_SSD.

processing

```
~/Freenove_Kit/Processing/Sketches/Sketch_11_1_1_SSD/Sketch_11_1_1_ SSD.pde
```

2. Click on "RUN" to run the code.

After the program is executed, both Display Window and SSD in the circuit show the same number. And they have the same rate to display number "0-9" constantly. Dragging the progress bar can adjust the speed it increases.



This project contains a lot of code files, and the core code is contained in the file Sketch_11_1_1_SSD. The other files only contain some custom classes.



The following is program code:

```

1  import processing.io.*;
2
3  int dataPin = 17;    //connect to the 74HC595
4  int latchPin = 27;
5  int clockPin = 22;
6  final int borderSize = 45;    //border size
7  ProgressBar mBar;    //ProgressBar Object
8  IC74HC595 ic;    //IC74HC595 Object
9  boolean mMouse = false;    //determined whether a mouse click the ProgressBar
10 int index = 0;    // index of number
11 int lastMoveTime = 0;    //led last move time point
12 //encoding for character 0-9 of common anode SevenSegmentDisplay
13 final int[] numCode = {0xc0, 0xf9, 0xa4, 0xb0, 0x99, 0x92, 0x82, 0xf8, 0x80, 0x90};
14 PFont mFont;
15
16 void setup() {
17     size(640, 360);
18     mBar = new ProgressBar(borderSize, height-borderSize, width-borderSize*2);
19     mBar.setTitle("Speed");    //set the ProgressBar's title
20     ic = new IC74HC595(dataPin, latchPin, clockPin);
21     mFont = loadFont("DigifaceWide-100.vlw");    //create DigifaceWide font
22 }
23
24 void draw() {
25     background(255);
26     titleAndSiteInfo();    //title and site information
27     strokeWeight(4);    //border weight
28     mBar.create();    //create the ProgressBar
29     //control the speed of number change
30     if (millis() - lastMoveTime > 50/(0.05+mBar.progress)) {
31         lastMoveTime = millis();
32         index++;
33         if (index > 9) {
34             index = 0;
35         }
36     }
37     ic.write(ic.MSBFIRST, numCode[index]);    //write 74HC595
38     showNum(index);    //show the number in display window
39 }
40 void showNum(int num) {
41     fill(0);
42     textSize(100);
43     textFont(mFont);    //digiface font

```

```

44     textAlign(CENTER, CENTER);
45     text(num, width/2, height/2);
46 }
47 void mousePressed() {
48     if ( (mouseY < mBar.y+5) && (mouseY > mBar.y-5) ) {
49         mMouse = true;    //the mouse clicks the progressBar
50     }
51 }
52 void mouseReleased() {
53     mMouse = false;
54 }
55 void mouseDragged() {
56     int a = constrain(mouseX, borderSize, width - borderSize);
57     float t = map(a, borderSize, width - borderSize, 0.0, 1.0);
58     if (mMouse) {
59         mBar.setProgress(t);
60     }
61 }
62 void titleAndSiteInfo() {
63     fill(0);
64     textAlign(CENTER);    //set the text centered
65     textFont(createFont("", 100)); //default font
66     textSize(40);        //set text size
67     text("Seven-segment Display", width / 2, 40);    //title
68     textSize(16);
69     text("www.freenove.com", width / 2, height - 20);    //site
}

```

The project code is similar to the previous chapter. The difference is that in this project the data output by 74HC595 is the fixed coding information of SSD. First, the character "0-9" is defined as code of common anode SSD.

```
final int[] numCode = {0xc0, 0xf9, 0xa4, 0xb0, 0x99, 0x92, 0x82, 0xf8, 0x80, 0x90};
```

In the function draw(), the data is output at a certain speed. At the same time the Display Window outputs the same character.

```

if (millis() - lastMoveTime > 50/(0.05+mBar.progress)) {
    lastMoveTime = millis();
    index++;
    if (index > 9) {
        index = 0;
    }
}
ic.write(ic.MSBFIRST, numCode[index]);    //write 74HC595
showNum(index);    //show the number in display window

```

By creating the font "mFont", we change the font of the characters on Display Window. The font ".vlw" file is created by clicking the "Create Font" on the menu bar, which is saved in the data folder of current Sketch.

```
PFont mFont;  
.....  
mFont = loadFont("DigifaceWide-100.vlw"); //create DigifaceWide font
```

For more details about loadFont(), please refer to "Help→Reference→loadFont()" or the official website: https://processing.org/reference/loadFont_.html







By creating an empty font, you can reset the font to default font.

```
textFont(createFont("", 100)); //default font
```

Project 11.2 4-digit Seven-segment display.

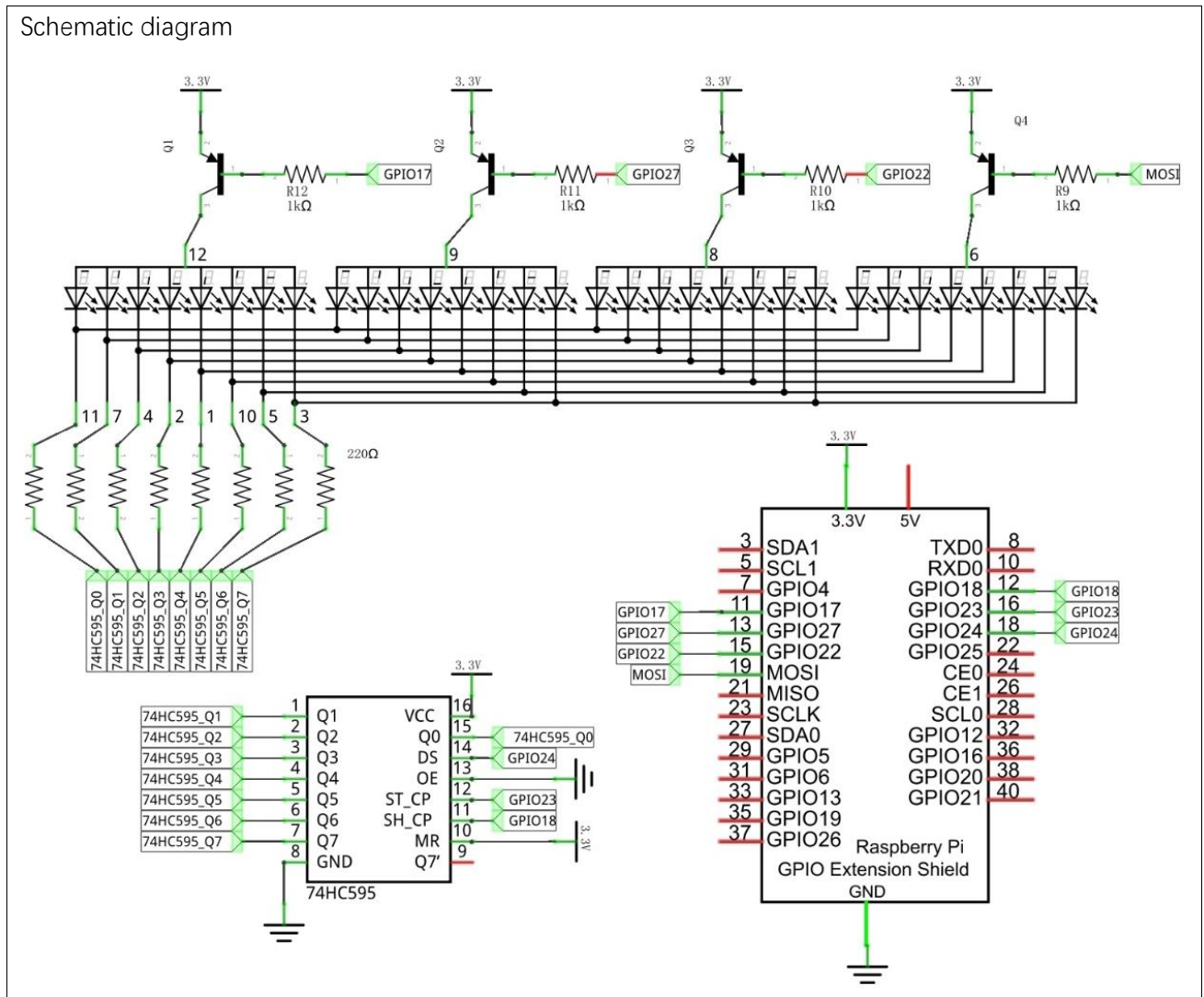
Now, let's learn to use 4-digit 7-segment display(FDSSD).

Component List

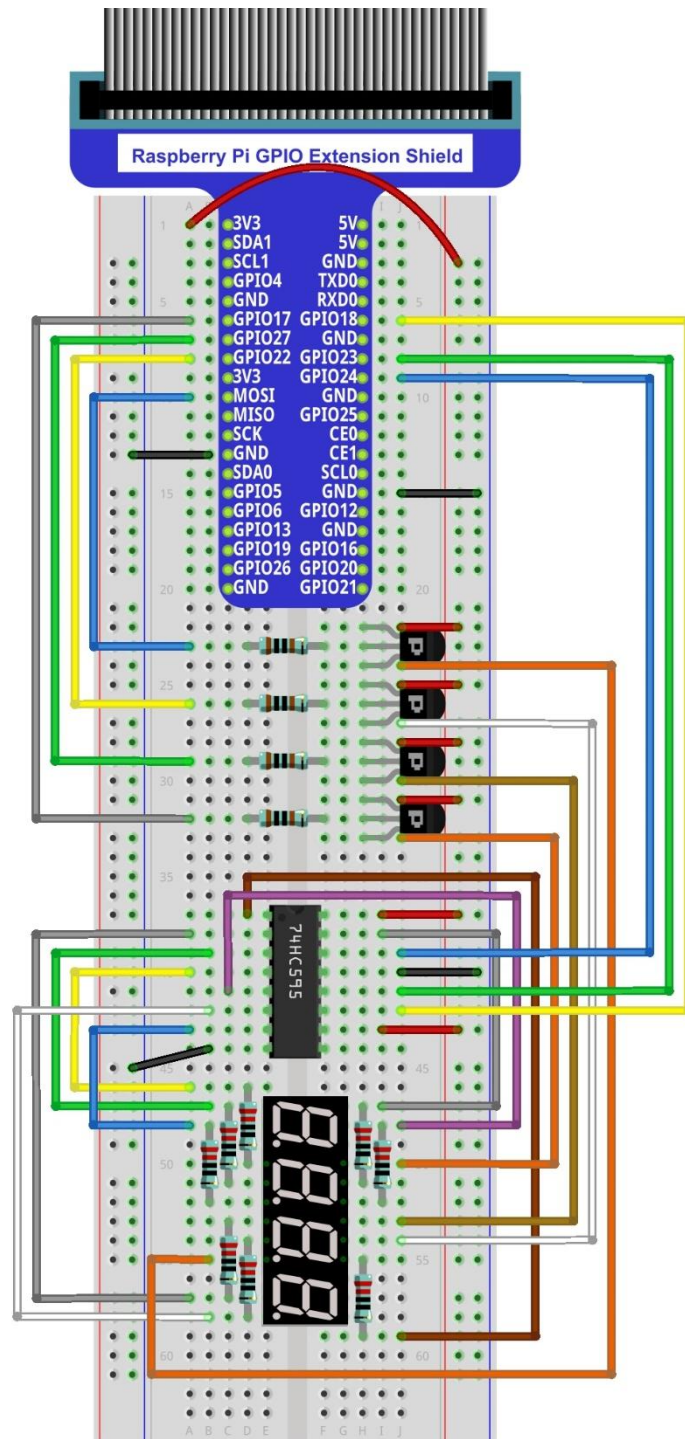
Raspberry Pi x1 GPIO Expansion Board & Wire x1 Breadboard x1		Jumper M/M x27 		
74HC595 x1 	PNP transistor x4 	4-Digit 7-segment display x1 	Resistor 220Ω x8 	Resistor 1KΩ x4 

Circuit

Schematic diagram



Hardware connection



Sketch

In this project, open an independent thread to control the FDSSD. The uncertainty of the system time slice allocation may lead FDSS to flash on the display, which is a normal phenomenon. For details about display principle of FDSSD, please refer to our C and Python manual.

Sketch 11.2.1 FDSSD

First observe the result after running the sketch, and then learn about the code in detail.

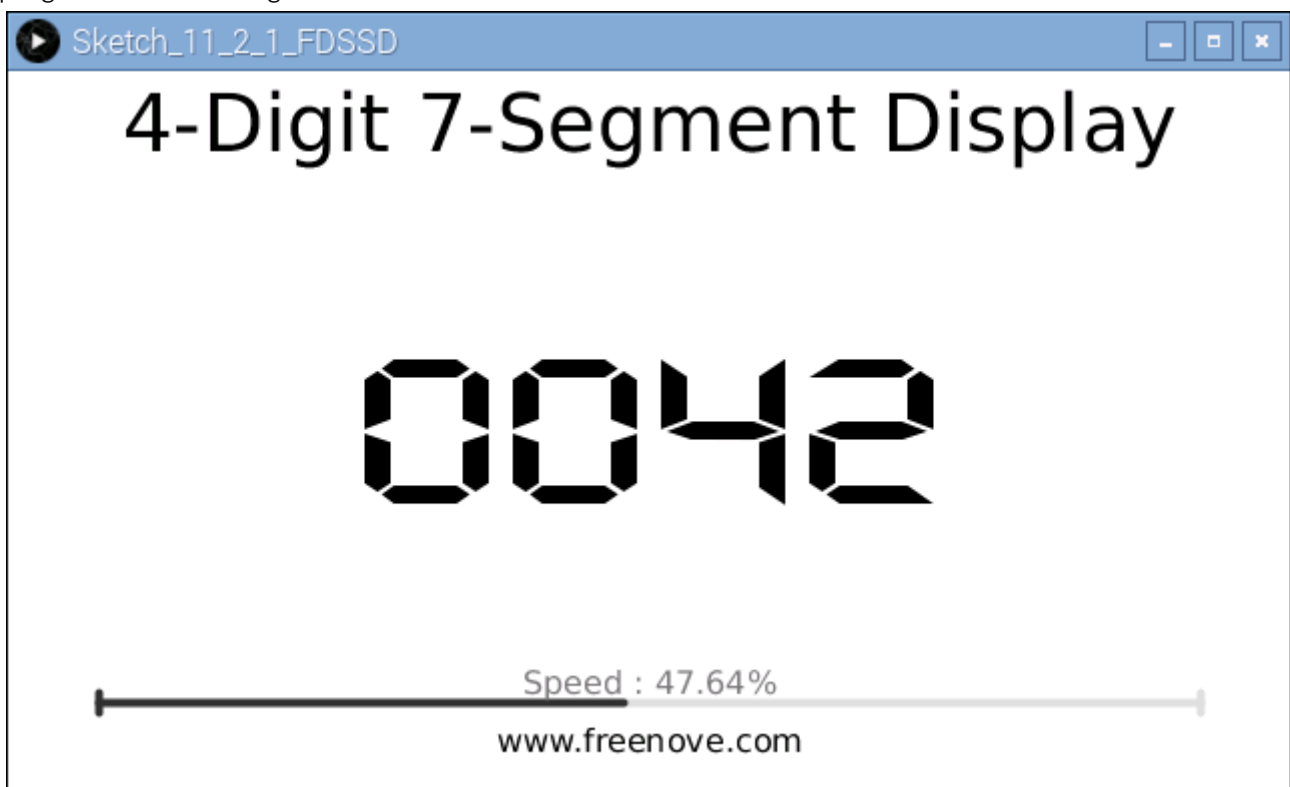
1. Use Processing to open the file Sketch_11_2_1_FDSSD.

processing

~/Freenove_Kit/Processing/Sketches/Sketch_11_2_1_FDSSD/Sketch_11_2_1_FDSSD.pde

2. Click on "RUN" to run the code.

After the program is executed, Display Window and FDSSD in the circuit will show same figures, and they have the same add-self rate. They will constantly show the number of "0-9999" circularly. And dragging the progress bar can change the rate.



This project contains several code files, as shown below:



The following is program code:

```
1  import processing.io.*;
2
3  int dataPin = 24;    //connect to the 74HC595
4  int latchPin = 23;
5  int clockPin = 18;
6  int[] digitPin = {17, 27, 22, 10}; //Connected to a common anode SSD through the transistor
7  final int borderSize = 45;    //border size
8  ProgressBar mBar;    //ProgressBar Object
9  IC74HC595 ic;    //IC74HC595 Object
10 boolean mMouse = false;    //determined whether a mouse click the ProgressBar
11 int index = 0;    // index of number
12 int lastMoveTime = 0;    //led last move time point
13 //encoding for character 0-9 of common anode SevenSegmentDisplay
14 final int[] numCode = {0xc0, 0xf9, 0xa4, 0xb0, 0x99, 0x92, 0x82, 0xf8, 0x80, 0x90};
15 PFont mFont;
16
17 void setup() {
18     size(640, 360);
19     for (int i = 0; i < 4; i++) {
20         GPIO.pinMode(digitPin[i], GPIO.OUTPUT);
21     }
22     mBar = new ProgressBar(borderSize, height-borderSize, width-borderSize*2);
23     mBar.setTitle("Speed");    //set the ProgressBar's title
24     ic = new IC74HC595(dataPin, latchPin, clockPin);
25     mFont = loadFont("DigifaceWide-100.vlw");    //create DigifaceWide font
26     thread("displaySSD");
27 }
28
29 void draw() {
30     background(255);
31     titleAndSiteInfo();    //title and site information
32     strokeWeight(4);    //border weight
33     mBar.create();    //create the ProgressBar
34     //control the speed of number change
35     if (millis() - lastMoveTime > 50/(0.05+mBar.progress)) {
36         lastMoveTime = millis();
37         index++;
38         if (index > 9999) {
39             index = 0;
40         }
41     }
42     showNum(index);    //show the number in display window
43 }
```

```
44 void showNum(int num) {
45     fill(0);
46     textSize(100);
47     textFont(mFont);    //digiface font
48     textAlign(CENTER, CENTER);
49     text(nf(num, 4, 0), width/2, height/2);
50 }
51
52 void displaySSD() {
53     while (true) {
54         display(index);
55     }
56 }
57 void selectDigit(int digit) {
58     GPIO.digitalWrite(digitPin[0], ((digit&0x08) == 0x08) ? GPIO.LOW : GPIO.HIGH);
59     GPIO.digitalWrite(digitPin[1], ((digit&0x04) == 0x04) ? GPIO.LOW : GPIO.HIGH);
60     GPIO.digitalWrite(digitPin[2], ((digit&0x02) == 0x02) ? GPIO.LOW : GPIO.HIGH);
61     GPIO.digitalWrite(digitPin[3], ((digit&0x01) == 0x01) ? GPIO.LOW : GPIO.HIGH);
62 }
63 void display(int dec) {
64     selectDigit(0x00);
65     ic.write(ic.MSBFIRST, numCode[dec%10]);
66     selectDigit(0x01);    //select the first, and display the single digit
67     delay(1);            //display duration
68     selectDigit(0x00);
69     ic.write(ic.MSBFIRST, numCode[dec%100/10]);
70     selectDigit(0x02);    //select the second, and display the tens digit
71     delay(1);
72     selectDigit(0x00);
73     ic.write(ic.MSBFIRST, numCode[dec%1000/100]);
74     selectDigit(0x04);    //select the third, and display the hundreds digit
75     delay(1);
76     selectDigit(0x00);
77     ic.write(ic.MSBFIRST, numCode[dec%10000/1000]);
78     selectDigit(0x08);    //select the fourth, and display the thousands digit
79     delay(1);
80 }
81 void mousePressed() {
82     if ( (mouseY< mBar.y+5) && (mouseY>mBar.y-5) ) {
83         mMouse = true;    //the mouse clicks the progressBar
84     }
85 }
86 void mouseReleased() {
87     mMouse = false;
```

```
88 }
89 void mouseDragged() {
90     int a = constrain(mouseX, borderSize, width - borderSize);
91     float t = map(a, borderSize, width - borderSize, 0.0, 1.0);
92     if (mMouse) {
93         mBar.setProgress(t);
94     }
95 }
96 void titleAndSiteInfo() {
97     fill(0);
98     textAlign(CENTER); //set the text centered
99     textFont(createFont("", 100)); //default font
100    textSize(40); //set text size
101    text("4-Digit 7-Segment Display", width / 2, 40); //title
102    textSize(16);
103    text("www.freenove.com", width / 2, height - 20); //site
104 }
```

This project code is similar to the previous section "SSD". The difference is that this project needs to control four SSD. The four coanodes of four SSD is controlled by four GPIO through 4 transistors. First, the four GPIO should be defined.

```
int[] digitPin = {17, 27, 22, 10};
```

In a separate thread, make the FDSSD display numbers in scan mode. Subfunction display() is used to make FDSSD display a four-digit number.

```
thread("displaySSD");
.....
void displaySSD() {
    while (true) {
        display(index);
    }
}
```

Other contents of the program are the same as the previous section "SSD".





Chapter 12 74HC595 & LED Matrix

In this chapter, we will learn how to use 74HC595 to control more LEDs, LED Matrix.

Project 12.1 LED Matrix

In this project, we will use two 74HC595 chips to control a monochrome LEDMatrix (8*8) to make it display some graphics and characters.

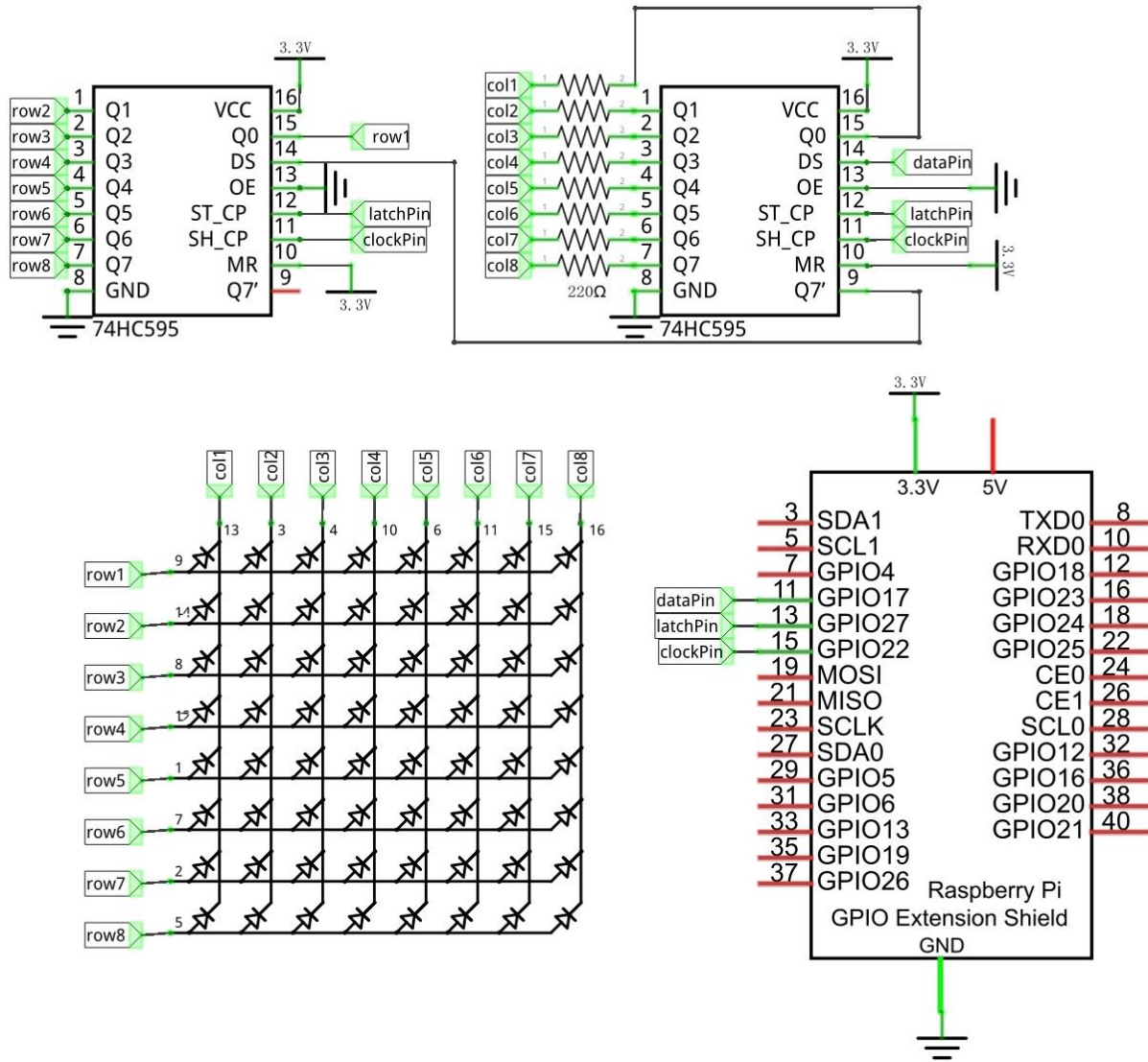
Component List

Raspberry Pi x1 GPIO Extension Board & Wire x1 Breadboard x1	Jumper M/M x41 	
74HC595 x2 	8*8 LEDMatrix x1 	Resistor 220Ω x8 

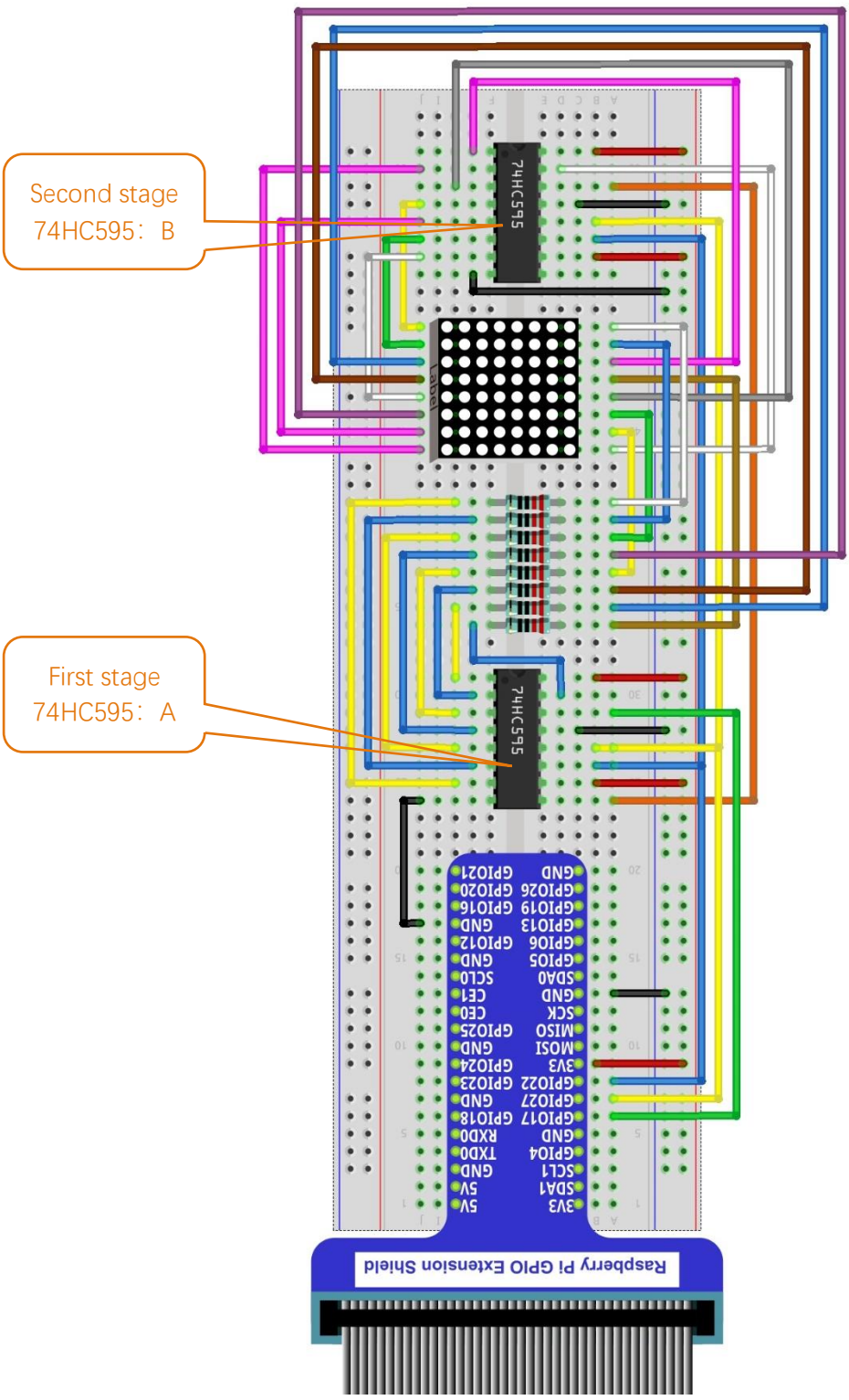
Circuit

In this experimental circuit, the power pin of 74HC595 is connected to 3.3V. It can also be connected to 5V to make LEDMatrix brighter.

Schematic diagram



Hardware connection



Sketch

Sketch 12.1.1 LEDMatrix

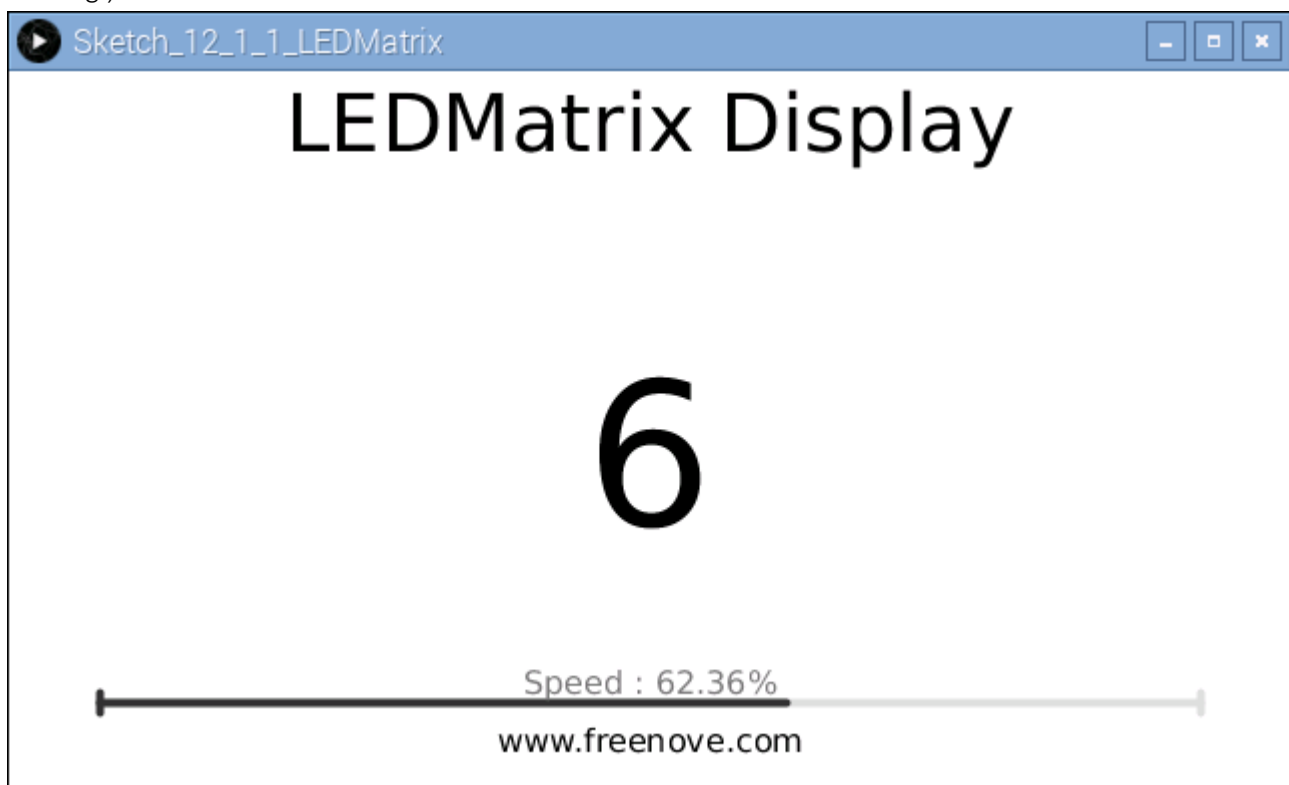
First observe the result after running the sketch, and then learn about the code in detail.

1. Use Processing to open the file Sketch_12_1_1_LEDMatrix.

```
processing
~/Freenove_Kit/Processing/Sketches/Sketch_12_1_1_LEDMatrix/Sketch_12_1_1_LEDMatrix.pde
```

2. Click on "RUN" to run the code.

After the program is executed, LEDMatrix will show a pattern of a smiling face, then start scrolling display of character "0-F". Display Window will display the characters "0-F" synchronously. Dragging the progress bar can change the rolling speed of character on LEDMatrix. (The project code in the LEDMatrix is operated with scanning method in a separate thread. The uncertainty of the CPU time slice may cause LEDMatrix display flashing.)



This project contains a lot of code files, and the core code is contained in the file Sketch_12_1_1_LEDMatrix. The other files only contain some custom classes.



The following is program code:

```

1  import processing.io.*;
2
3  int dataPin = 17;    //connect to the 74HC595
4  int latchPin = 27;
5  int clockPin = 22;
6  final int borderSize = 45;    //border size
7  ProgressBar mBar;    //ProgressBar object
8  IC74HC595 ic;    //IC74HC595 object
9  boolean mMouse = false;    //determined whether a mouse clicks the ProgressBar
10 int index = 0;    // index of number
11 //encoding for smile face
12 final int[] pic = {0x1c, 0x22, 0x51, 0x45, 0x45, 0x51, 0x22, 0x1c};
13 //encoding for character 0-9 of ledmatrix
14 final int[] numCode={
15     0x00, 0x00, 0x00, 0x00, 0x00, 0x00, 0x00, 0x00, // " "
16     0x00, 0x00, 0x3E, 0x41, 0x41, 0x3E, 0x00, 0x00, // "0"
17     0x00, 0x00, 0x21, 0x7F, 0x01, 0x00, 0x00, 0x00, // "1"
18     0x00, 0x00, 0x23, 0x45, 0x49, 0x31, 0x00, 0x00, // "2"
19     0x00, 0x00, 0x22, 0x49, 0x49, 0x36, 0x00, 0x00, // "3"
20     0x00, 0x00, 0x0E, 0x32, 0x7F, 0x02, 0x00, 0x00, // "4"
21     0x00, 0x00, 0x79, 0x49, 0x49, 0x46, 0x00, 0x00, // "5"
22     0x00, 0x00, 0x3E, 0x49, 0x49, 0x26, 0x00, 0x00, // "6"
23     0x00, 0x00, 0x60, 0x47, 0x48, 0x70, 0x00, 0x00, // "7"
24     0x00, 0x00, 0x36, 0x49, 0x49, 0x36, 0x00, 0x00, // "8"
25     0x00, 0x00, 0x32, 0x49, 0x49, 0x3E, 0x00, 0x00, // "9"
26     0x00, 0x00, 0x3F, 0x44, 0x44, 0x3F, 0x00, 0x00, // "A"
27     0x00, 0x00, 0x7F, 0x49, 0x49, 0x36, 0x00, 0x00, // "B"
28     0x00, 0x00, 0x3E, 0x41, 0x41, 0x22, 0x00, 0x00, // "C"
29     0x00, 0x00, 0x7F, 0x41, 0x41, 0x3E, 0x00, 0x00, // "D"
30     0x00, 0x00, 0x7F, 0x49, 0x49, 0x41, 0x00, 0x00, // "E"
31     0x00, 0x00, 0x7F, 0x48, 0x48, 0x40, 0x00, 0x00, // "F"
32     0x00, 0x00, 0x00, 0x00, 0x00, 0x00, 0x00, // " "
33 };
34 myThread t = new myThread();    //create a new thread for ledmatrix
35 void setup() {
36     size(640, 360);
37     mBar = new ProgressBar(borderSize, height-borderSize, width-borderSize*2);
38     mBar.setTitle("Speed");    //set the ProgressBar's title
39     ic = new IC74HC595(dataPin, latchPin, clockPin);
40     t.start();    //thread start
41 }
42

```

```
43 void draw() {
44     background(255);
45     titleAndSiteInfo(); //title and site information
46     strokeWeight(4); //border weight
47     mBar.create(); //create the ProgressBar
48     displayNum(hex(index, 1)); //show the number in display window
49 }
50 class myThread extends Thread {
51     public void run() {
52         while (true) {
53             showMatrix(); //show smile picture
54             showNum(); //show the character "0-F"
55         }
56     }
57 }
58 void showMatrix() {
59     for (int j=0; j<100; j++) { //picture show time
60         int x=0x80;
61         for (int i=0; i<8; i++) { //display a frame picture
62             GPIO.digitalWrite(latchPin, GPIO.LOW);
63             ic.shiftOut(ic.MSBFIRST, pic[i]);
64             ic.shiftOut(ic.MSBFIRST, ~x);
65             GPIO.digitalWrite(latchPin, GPIO.HIGH);
66             x>>=1;
67         }
68     }
69 }
70 void showNum() {
71     for (int j=0; j<numCode.length-8; j++) { //where to start showing
72         index = j/8;
73         for (int k =0; k<10*(1.2-mBar.progress); k++) { //speed
74             int x=0x80;
75             for (int i=0; i<8; i++) { //display a frame picture
76                 GPIO.digitalWrite(latchPin, GPIO.LOW);
77                 ic.shiftOut(ic.MSBFIRST, numCode[j+i]);
78                 ic.shiftOut(ic.MSBFIRST, ~x);
79                 GPIO.digitalWrite(latchPin, GPIO.HIGH);
80                 x>>=1;
81             }
82         }
83     }
84 }
85 void displayNum(String num) {
86     fill(0);
```

```

87     textSize(100);
88     textAlign(CENTER, CENTER);
89     text(num, width/2, height/2);
90 }
91 void mousePressed() {
92     if ( (mouseY < mBar.y+5) && (mouseY > mBar.y-5) ) {
93         mMouse = true;    //the mouse clicks the progressBar
94     }
95 }
96 void mouseReleased() {
97     mMouse = false;
98 }
99 void mouseDragged() {
100    int a = constrain(mouseX, borderSize, width - borderSize);
101    float t = map(a, borderSize, width - borderSize, 0.0, 1.0);
102    if (mMouse) {
103        mBar.setProgress(t);
104    }
105 }
106 void titleAndSiteInfo() {
107     fill(0);
108     textAlign(CENTER);    //set the text centered
109     textFont(createFont("", 100)); //default font
110     textSize(40);        //set text size
111     text("LEDMatrix Display", width / 2, 40);    //title
112     textSize(16);
113     text("www.freenove.com", width / 2, height - 20);    //site
114 }

```

In the code, first define the data of the smiling face and characters "0-F".

```

//encoding for smile face
final int[] pic = {0x1c, 0x22, 0x51, 0x45, 0x45, 0x51, 0x22, 0x1c};
//encoding for character 0-9 of ledmatrix
final int[] numCode={
.....
};

```

Then create a new thread t. LEDMatrix scan display code will be executed in run() of this thread.

```

myThread t = new myThread();    //create a new thread for ledmatrix
.....
class myThread extends Thread {
    public void run() {
        while (true) {
            showMatrix();    //show smile picture

```

```

        showNum();    //show the character "0-F"
    }
}
}

```

The function `setup()`, defines size of Display Window, `ProgressBar` class objects and `IC74HC595` class object, and starts the thread `t`.

```

void setup() {
    size(640, 360);
    mBar = new ProgressBar(borderSize, height-borderSize, width-borderSize*2);
    mBar.setTitle("Speed");    //set the ProgressBar's title
    ic = new IC74HC595(dataPin, latchPin, clockPin);
    t.start();    //thread start
}

```

In `draw()`, draw the relevant information and the current number to display.

```

void draw() {
    background(255);
    titleAndSiteInfo();    //title and site information
    strokeWeight(4);    //border weight
    mBar.create();    //create the ProgressBar
    displayNum(hex(index, 1));    //show the number in display window
}

```

Subfunction `showMatrix()` makes `LEDMatrix` display a smiling face pattern, which lasts for a period of time.

```

void showMatrix() {
    for (int j=0; j<100; j++) {    //picture show time
        int x=0x80;
        for (int i=0; i<8; i++) {    //display a frame picture
            GPIO.digitalWrite(latchPin, GPIO.LOW);
            ic.shiftOut(ic.MSBFIRST, pic[i]);
            ic.shiftOut(ic.MSBFIRST, ~x);
            GPIO.digitalWrite(latchPin, GPIO.HIGH);
            x>>=1;
        }
    }
}

```

Subfunction showNum() makes LEDMatrix scroll displaying character "0-F", in which the variable k is used to adjust the scrolling speed.

```
void showNum() {
  for (int j=0; j<numCode.length-8; j++) { //where to start showing
    index = j/8;
    for (int k =0; k<10*(1.2-mBar.progress); k++) { //speed
      int x=0x80;
      for (int i=0; i<8; i++) { //display a frame picture
        GPIO.digitalWrite(latchPin, GPIO.LOW);
        ic.shiftOut(ic.MSBFIRST, numCode[j+i]);
        ic.shiftOut(ic.MSBFIRST, ~x);
        GPIO.digitalWrite(latchPin, GPIO.HIGH);
        x>>=1;
      }
    }
  }
}
```

If you have more interests in LED matrix, you can download an interesting app to explore.

<https://play.google.com/store/apps/details?id=com.vitogusmano.arduinoledmatrixanimator>

If you have any concerns about the app, please contact with Vito Gusmano (vigus9000@gmail.com).


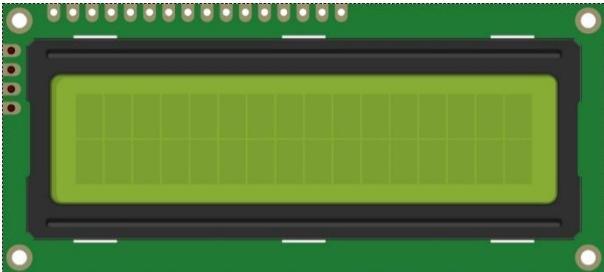
Chapter 13 I2C-LCD1602

In this chapter, we will learn a display screen, LCD1602.

Project 13.1 LCD

In the project, the current time and date will be displayed on the LCD1602 and Display Window.

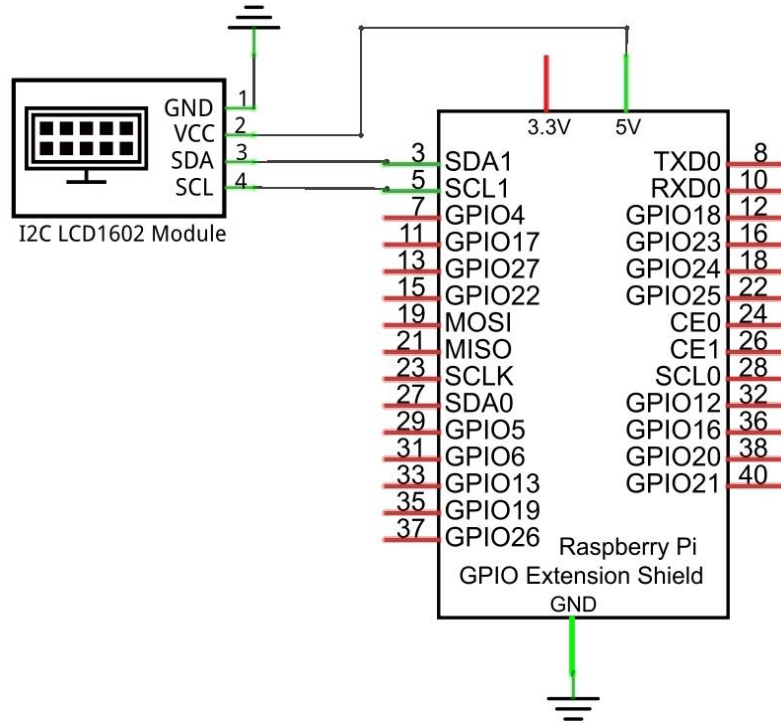
Component List

Raspberry Pi x1 GPIO Extension Board & Wire x1 Breadboard x1	Jumper M/M x4 
I2C LCD1602 Module x1 	

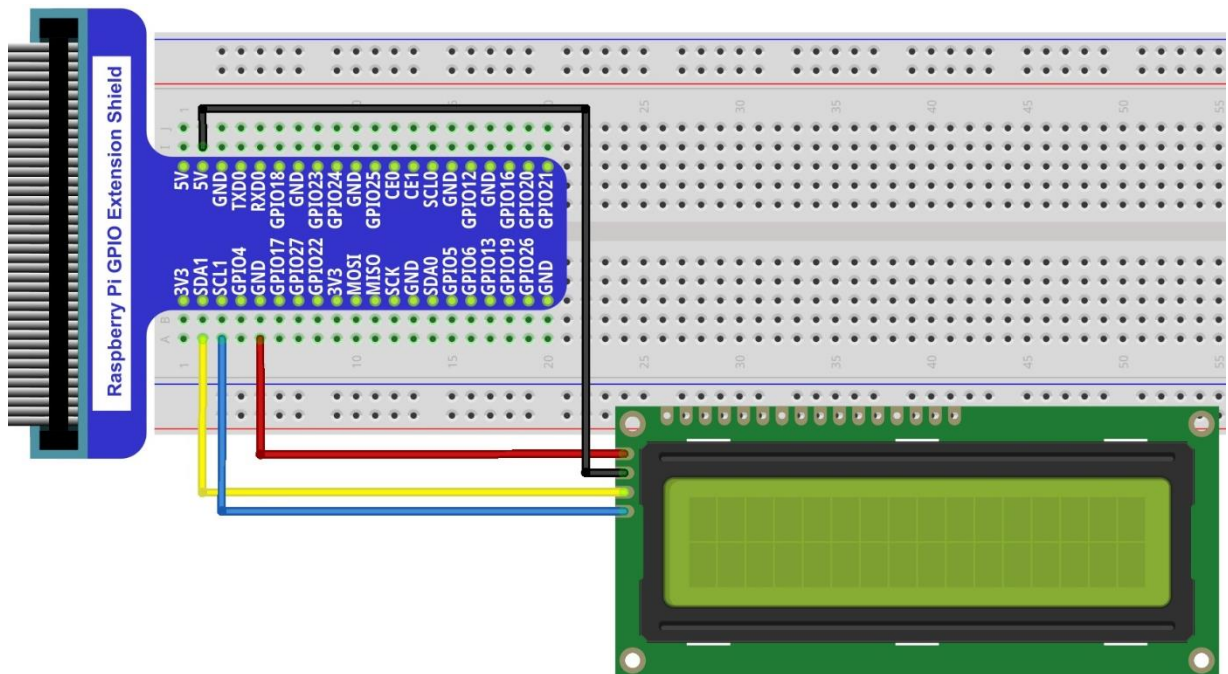
Circuit

Note that the power supply for I2CLCD1602 in this circuit is 5V.

Schematic diagram



Hardware connection



Sketch

Sketch 13.1.1 LCD

First observe the results of the code and the phenomenon, and then learn the code in detail.

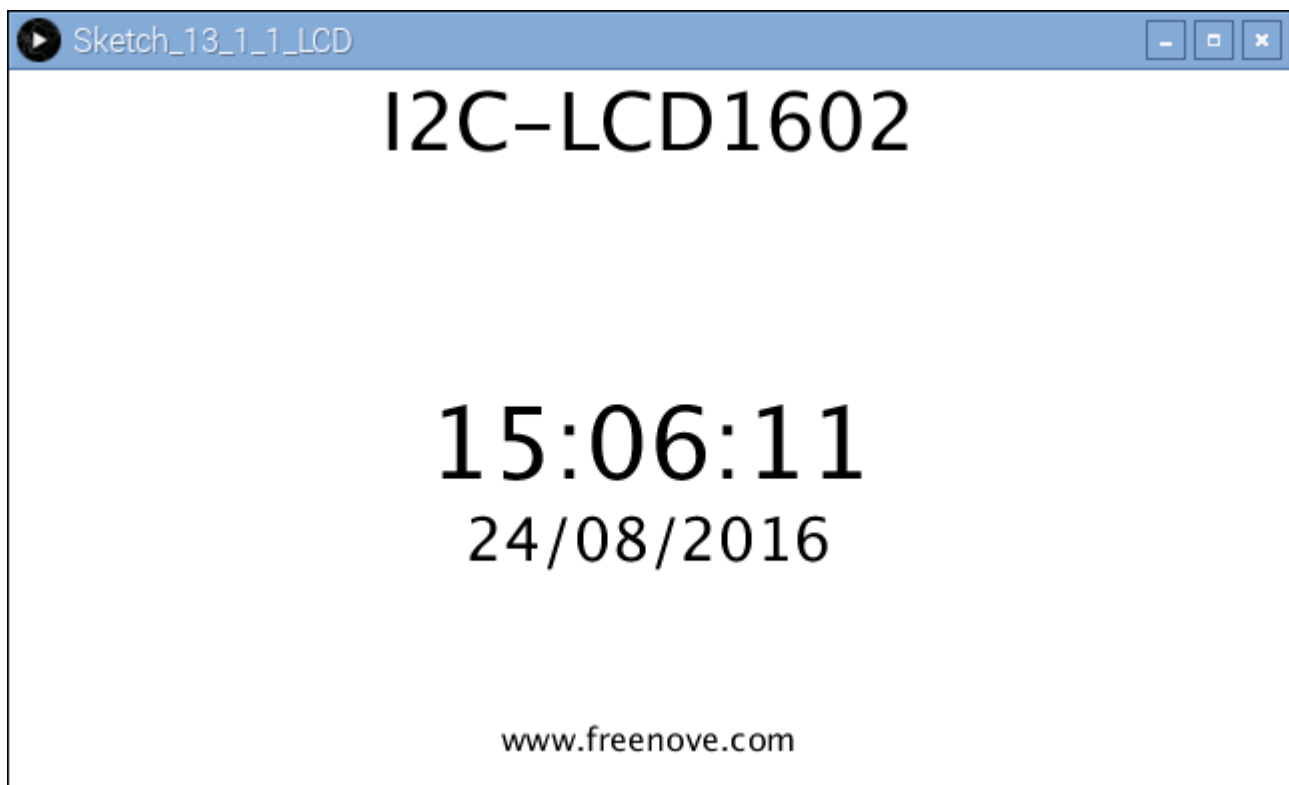
1. Use Processing to open the file Sketch_13_1_1_LCD.

```
processing
```

```
~/Freenove_Kit/Processing/Sketches/Sketch_13_1_1_LCD/Sketch_13_1_1_LCD.pde
```

2. Click on "RUN" to run the code.

After the program is executed, both LCD in the circuit and the Display Window will show the current time and date.



This project contains a lot of code files, and the core code is contained in the file Sketch_13_1_1_LCD. The other files only contain some custom classes.



The following is program code:

```
1  import processing.io.*;
2  //Create a object of class PCF8574
3  PCF8574 pcf = new PCF8574(0x27);
4  Freenove_LCD1602 lcd; //Create a lcd object
5  String time = "";
6  String date = "";
7  void setup() {
8      size(640, 360);
9      lcd = new Freenove_LCD1602(pcf);
10     frameRate(2); //set display window frame rate for 2 HZ
11 }
12 void draw() {
13     background(255);
14     titleAndSiteInfo();
15     //get current time
16     time = nf(hour(), 2, 0) + ":" + nf(minute(), 2, 0) + ":" + nf(second(), 2, 0);
17     //get current date
18     date = nf(day(), 2, 0) + "/" + nf(month(), 2, 0) + "/" + nf(year(), 2, 0);
19     lcd.position(4, 0); //show time on the lcd display
20     lcd.puts(time);
21     lcd.position(3, 1); //show date on the lcd display
22     lcd.puts(date);
23     showTime(time, date); //show time/date on the display window
24 }
25 void showTime(String time, String date) {
26     fill(0);
27     textAlign(CENTER, CENTER);
28     textSize(50);
29     text(time, width/2, height/2);
30     textSize(30);
31     text(date, width/2, height/2+50);
32 }
33 void titleAndSiteInfo() {
34     fill(0);
35     textAlign(CENTER); //set the text centered
36     textSize(40); //set text size
37     text("I2C-LCD1602", width / 2, 40); //title
38     textSize(16);
39     text("www.freenove.com", width / 2, height - 20); //site
40 }
```

First create a PCF8574 class object "pcf", and take "pcf" as a parameter to create an LCD1602 class object. And then define the variable "time" to store date and time. Display window needs not refresh frequently. Therefore, the frame rate can be set to 1Hz or 2Hz.

```
PCF8574 pcf = new PCF8574(0x27);
Freenove_LCD1602 lcd; //Create a lcd object
String time = "";
String date = "";
void setup() {
    size(640, 360);
    lcd = new Freenove_LCD1602(pcf);
    frameRate(2); //set display window frame rate for 2 HZ
}
```

In the function draw(), get the current time and date, and display them on the LCD1602 and Display Window.

```
void draw() {
    background(255);
    titleAndSiteInfo();
    //get current time
    time = nf(hour(), 2, 0) + ":" + nf(minute(), 2, 0) + ":" + nf(second(), 2, 0);
    //get current date
    date = nf(day(), 2, 0) + "/" + nf(month(), 2, 0) + "/" + nf(year(), 2, 0);
    lcd.position(4, 0); //show time on the lcd display
    lcd.puts(time);
    lcd.position(3, 1); //show date on the lcd display
    lcd.puts(date);
    showTime(time, date); //show time/date on the display window
}
```

Reference

class PCF8574

This is a custom class that is used to control the integrated circuit PCF8574.

public PCF8574(int addr)

Constructor, used to create a PCF8574 class object. The parameter represents the I2C device address of PCF8574.

public int digitalRead(int pin)

Used to read the value(HIGH/LOW) of one of the ports.

public int readByte()

Used to read values of all ports.

public void digitalWrite(int pin, int val)

Write data(HIGH/LOW) to a port.

public void writeByte(int data)

Write data to all ports.

class Freenove_LCD

This is a custom class that is currently only used to control the I2C-LCD1602 connected to PCF8574.

```
public Freenove_LCD1602(PCF8574 ipcf)
```

Constructor, used to create Freenove_LCD1602 class object. The parameter is for PCF8574 class object.

```
public void putChar(char data)
```

Write a character to the LCD screen.

```
public void puts(String str)
```

Write a string to the LCD screen.

```
public void display(boolean state)
```

Turn on/off LCD.

```
public void lcdCursor(boolean state)
```

Turn on/off Cursor.

```
public void cursorBlink(boolean state)
```

Turn on/off Cursor Blink.

```
public void position(int x, int y)
```

Set the location of Cursor.

```
public void home()
```

Set the Cursor to home.

```
public void lcdClear()
```

Clear the screen.

```
public void backLightON() & public void backLightOFF()
```

Turn on/off the backlight.

```
public void scrollDisplayLeft() & public void scrollDisplayRight()
```

Shift screen of a unit to left/right.

```
public void leftToRight() & public void rightToLeft()
```

Set text direction to be from left to right / from right to left.

```
public void autoScroll() & public void noAutoScroll()
```

Automatic shifting screen/turn off automatic shifting screen.


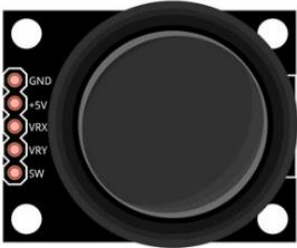
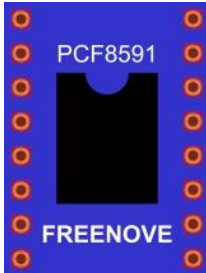
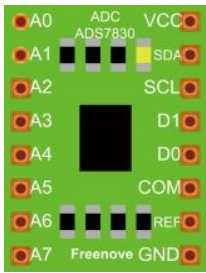

Chapter 14 Joystick

In the previous chapter, we have learned how to use a rotary potentiometer. Now, let's learn a new electronic module Joystick which working on the same principle as the rotary potentiometer.

Project 14 Joystick

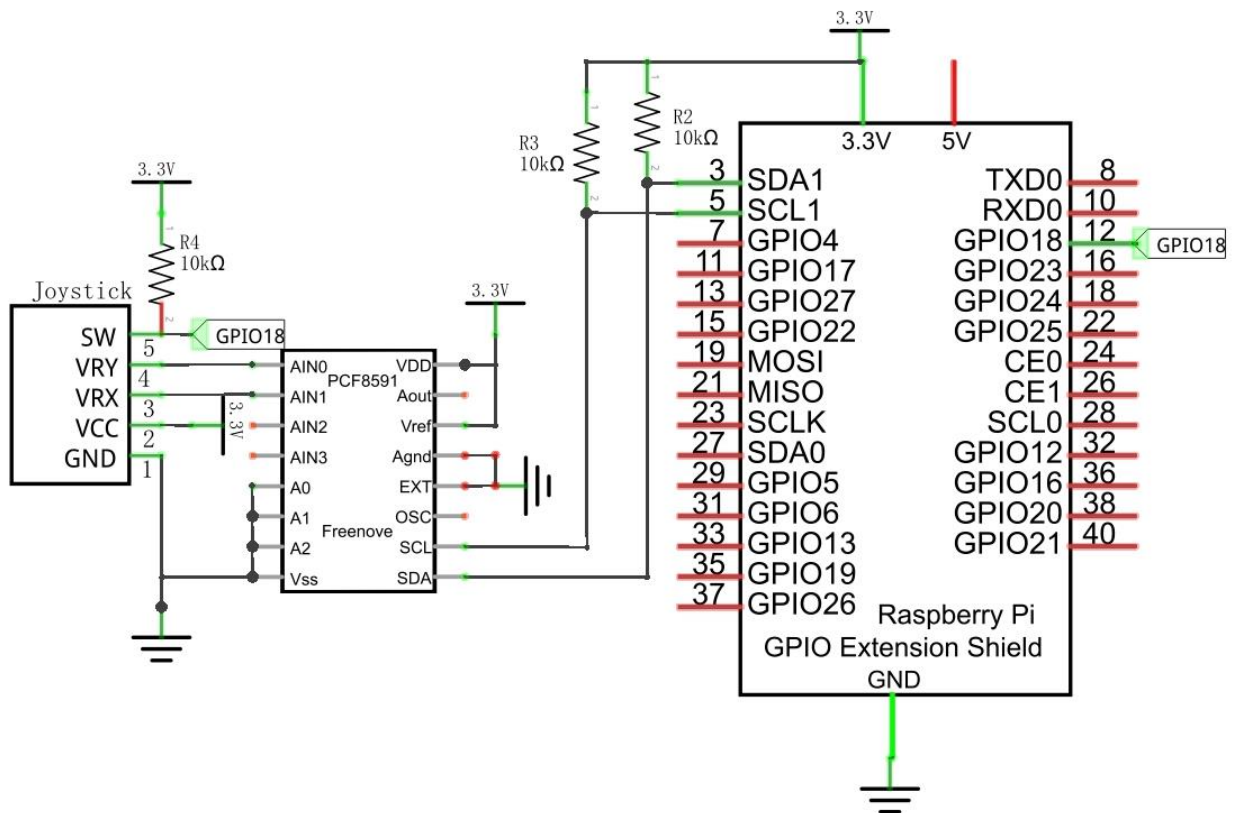
In this project, we will read the data of the joystick, and draw its coordinates position and Z axis state on the Display window.

Component List

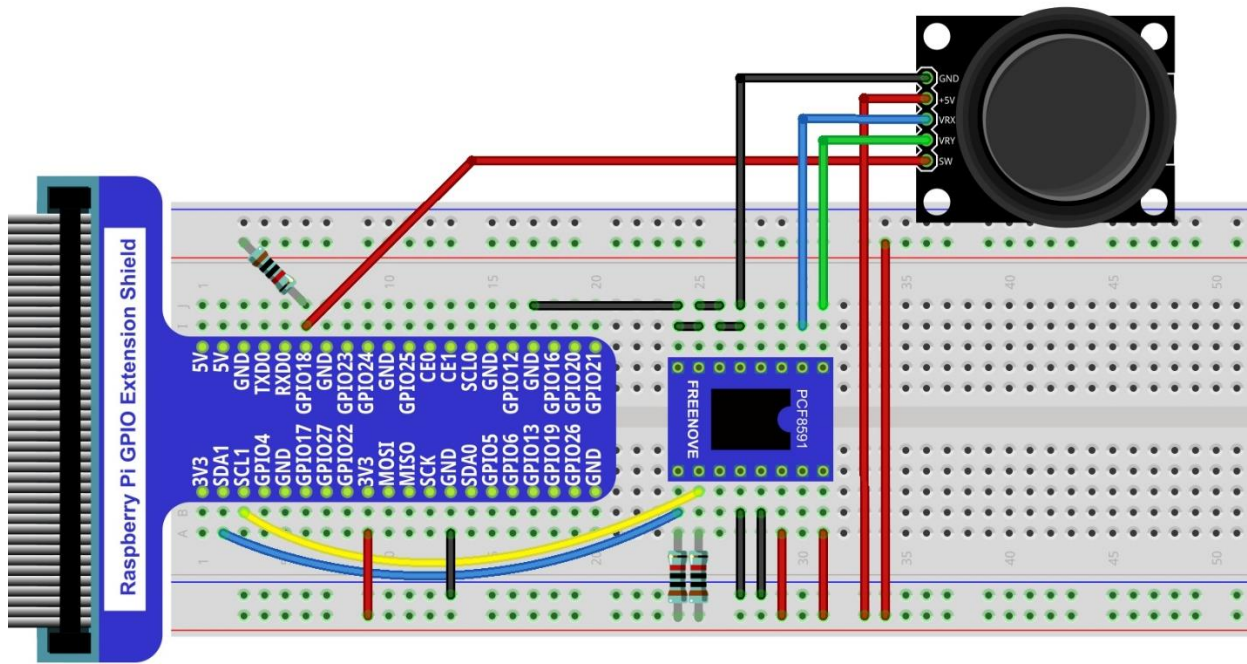
Raspberry Pi x1 GPIO Extension Board & Wire x1 Breadboard x1	Jumper 	
Joystick x1 	ADC module x1  or 	Resistor 10kΩ x3 

Circuit with PCF8591

Schematic diagram

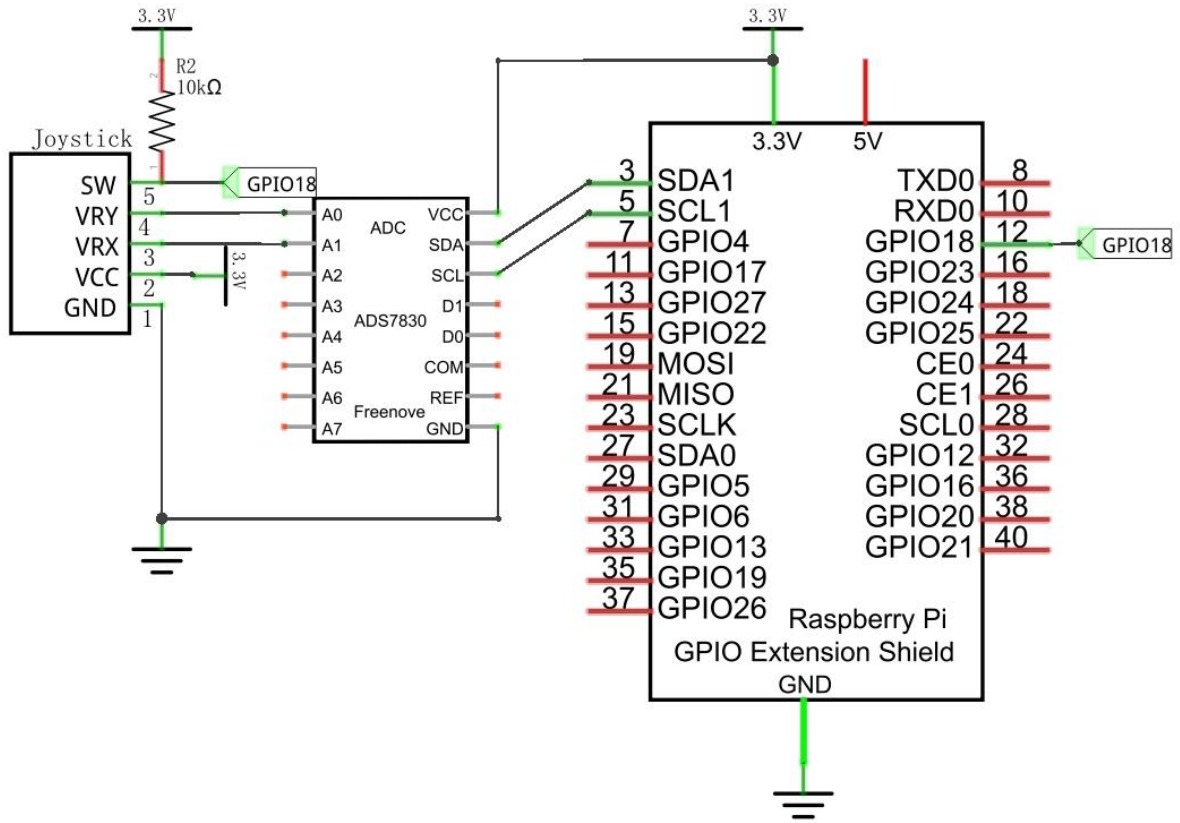


Hardware connection. If you need any support, please feel free to contact us via: support@freenove.com

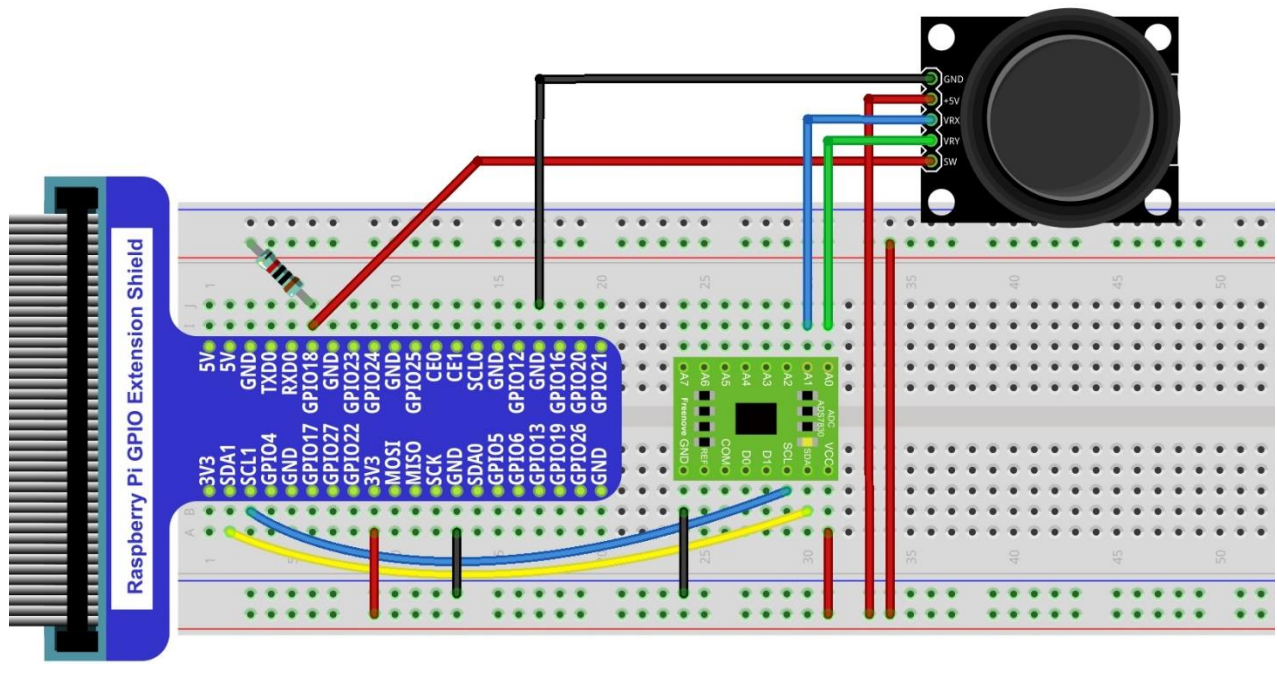


Circuit with ADS7830

Schematic diagram



Hardware connection. If you need any support, please feel free to contact us via: support@freenove.com



Sketch

Sketch 14.1.1 Joystick

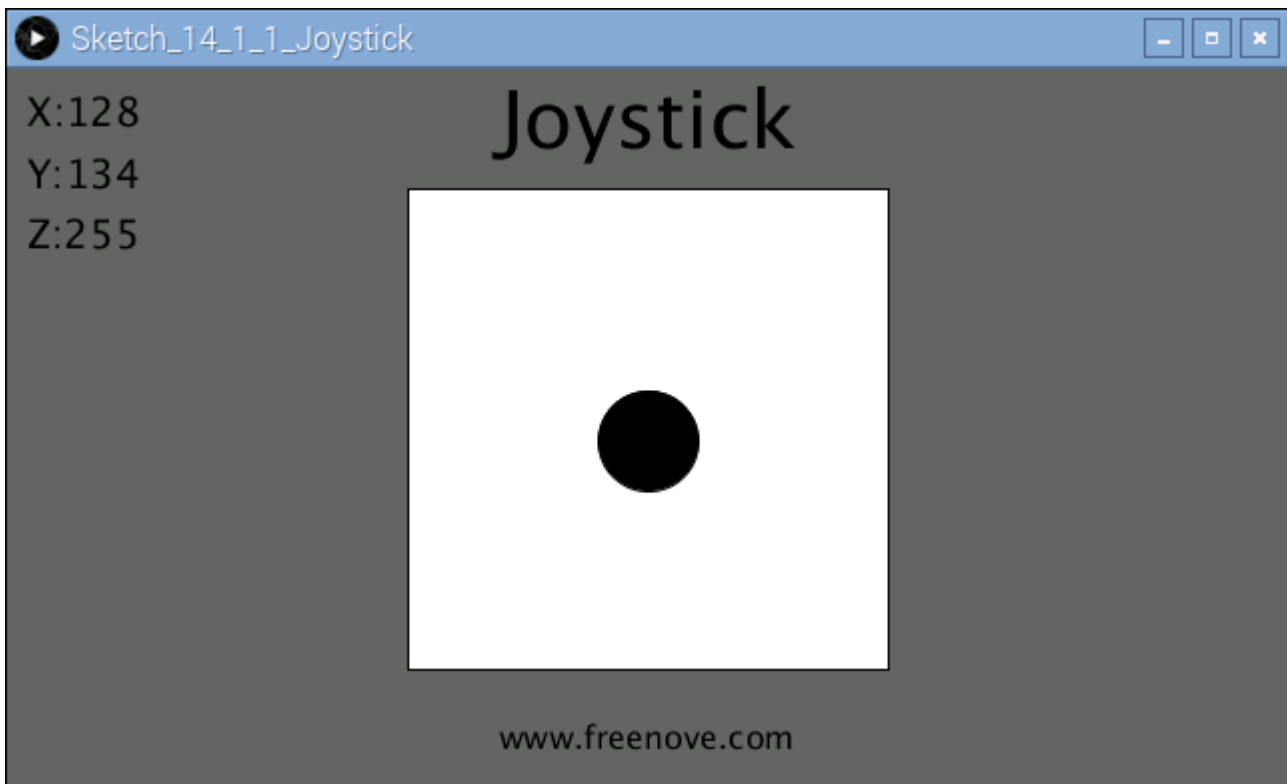
First observe the result after running the sketch, and then learn about the code in detail.

1. Use Processing to open the file Sketch_14_1_1_Joystick.

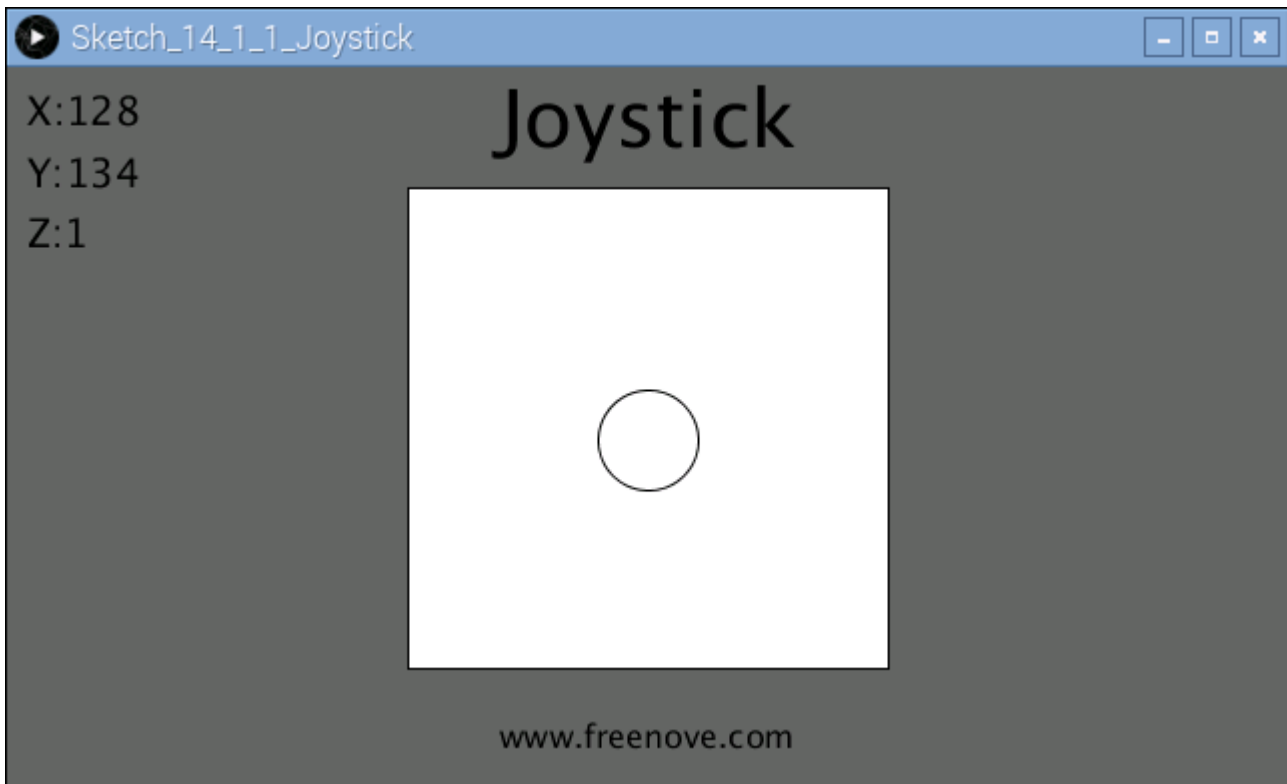
```
processing
~/Freenove_Kit/Processing/Sketches/Sketch_14_1_1_Joystick/Sketch_14_1_1_Joystic
k.pde
```

2. Click on "RUN" to run the code.

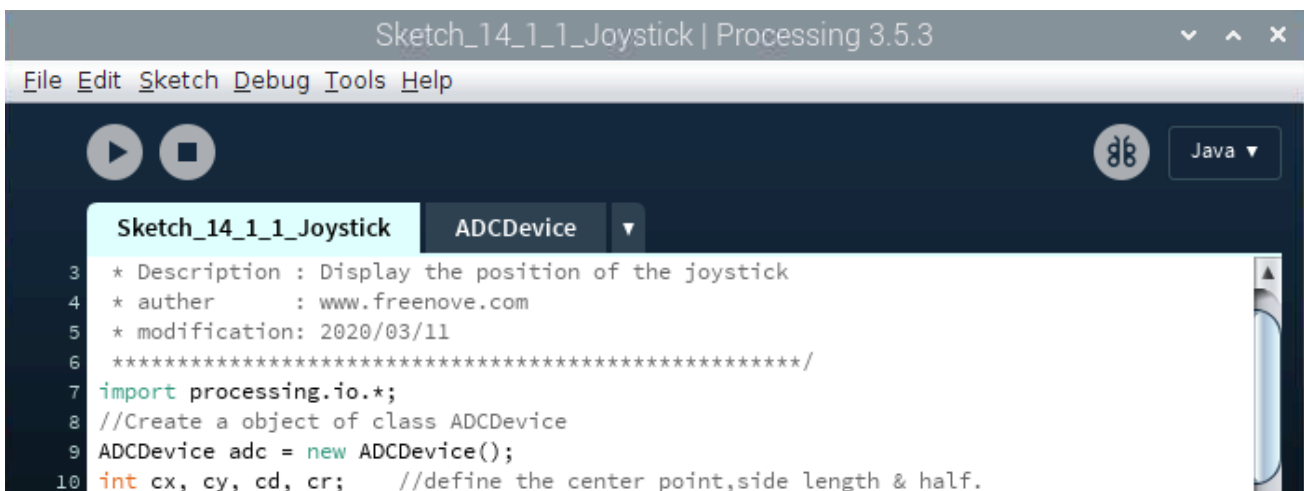
After the program is executed, Display Window shows the current relative position of Joystick. And the upper left corner shows ADC value of three axes of the Joystick.



When the button of Z axis is pressed, the circle will change its filled color.



This project contains several code files, as shown below:



The following is program code:

```

1  import processing.io.*;
2  //Create an object of class ADCDevice
3  ADCDevice adc = new ADCDevice();
4  int cx, cy, cd, cr; //define the center point, side length & half.
5
6  void setup() {
7    size(640, 360);
8    if (adc.detectI2C(0x48)) {
9      adc = new PCF8591(0x48);
10   } else if (adc.detectI2C(0x4b)) {

```

```

11     adc = new ADS7830(0x4b);
12 } else {
13     println("Not found ADC Module!");
14     System.exit(-1);
15 }
16 cx = width/2;    //center of the display window
17 cy = height/2;  //
18 cd = (int)(height/1.5);
19 cr = cd /2;
20 }
21 void draw() {
22     int x=0, y=0, z=0;
23     x = adc.analogRead(0); //read the ADC of joystick
24     y = adc.analogRead(1); //
25     z = adc.analogRead(2);
26     background(102);
27     titleAndSiteInfo();
28     fill(0);
29     textSize(20);
30     textAlign(LEFT, TOP);
31     text("X:"+x+"\nY:"+y+"\nZ:"+z, 10, 10);
32
33     fill(255);    //wall color
34     rect(cx-cr, cy-cr, cd, cd);
35     fill(constrain(z, 255, 0));    //joysitck color
36     ellipse(map(x, 0, 255, cx-cr, cx+cr), map(y, 0, 255, cy-cr, cy+cr), 50, 50);
37 }
38 void titleAndSiteInfo() {
39     fill(0);
40     textAlign(CENTER);    //set the text centered
41     textSize(40);        //set text size
42     text("Joystick", width / 2, 40);    //title
43     textSize(16);
44     text("www.freenove.com", width / 2, height - 20);    //site
45 }

```

In function draw(), the ADC value of three axes Joystick is read. And the ADC value of X and Y directions are mapped into the position of the circle, and the ADC value of Z axis is mapped into the filled color of the circle.

```

void draw() {
    int x=0, y=0, z=0;
    x = pcf.analogRead(2); //read the ADC of joystick
    y = pcf.analogRead(1); //
    z = pcf.analogRead(0);
    background(102);

```

```
titleAndSiteInfo();
fill(0);
textSize(20);
textAlign(LEFT, TOP);
text("X:"+x+"\nY:"+y+"\nZ:"+z, 10, 10);

fill(255);    //wall color
rect(cx-cr, cy-cr, cd, cd);
fill(constrain(z, 255, 0));    //joysitck color
ellipse(map(x, 0, 255, cx-cr, cx+cr), map(y, 0, 255, cy-cr, cy+cr), 50, 50);
}
```


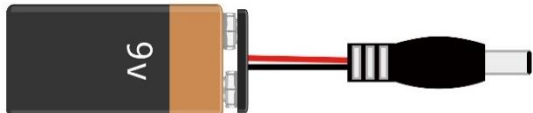
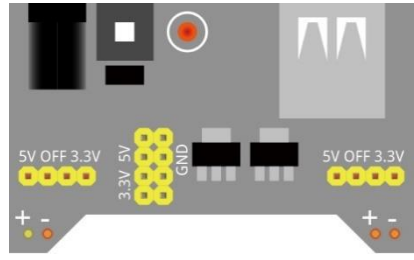



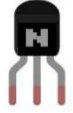


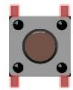


Chapter 15 Relay & Motor

In this chapter, we will learn how to use a relay.

Project 15.1 Relay & Motor

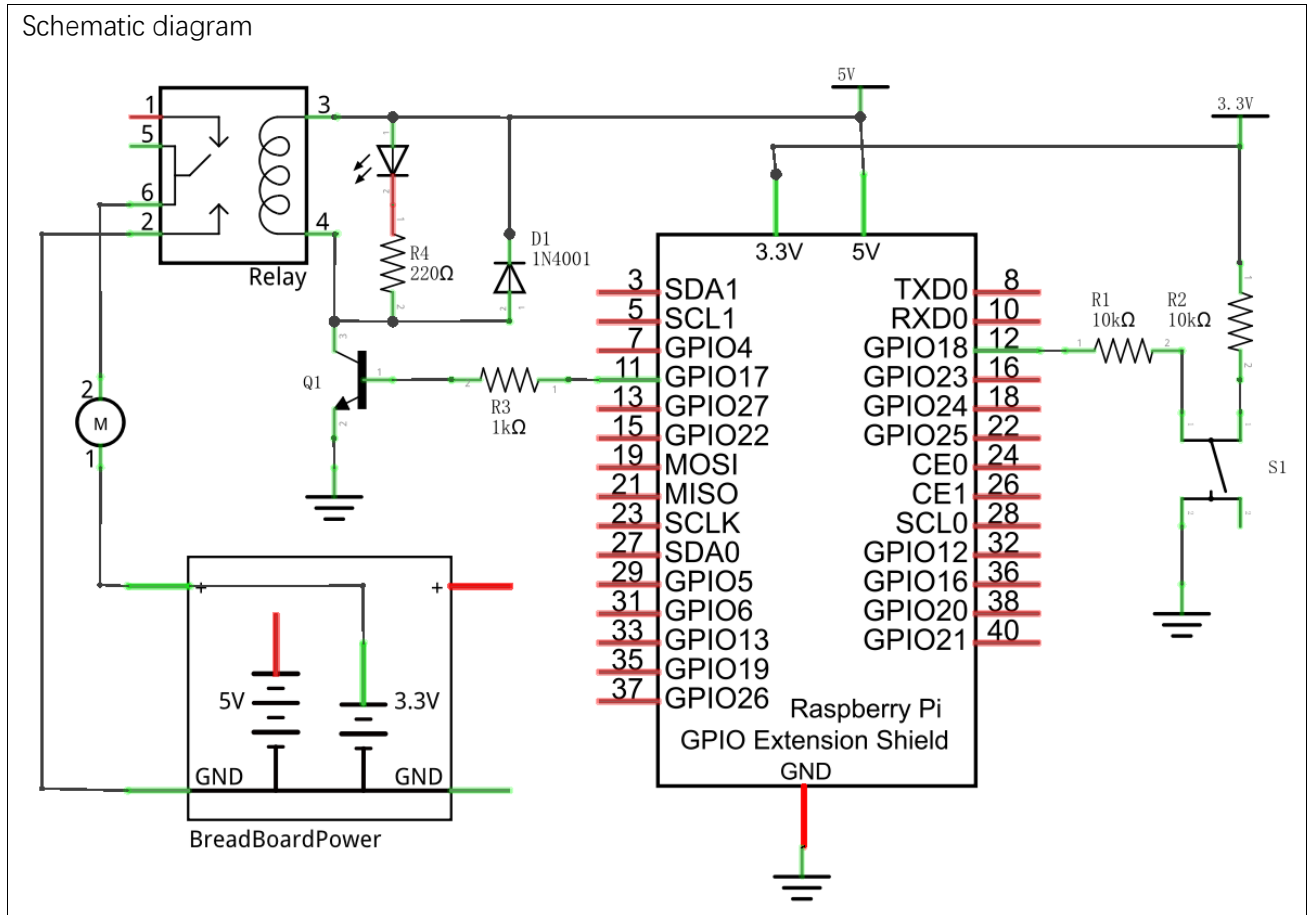
In the project, the relay is used to control the DC motor.

Component List

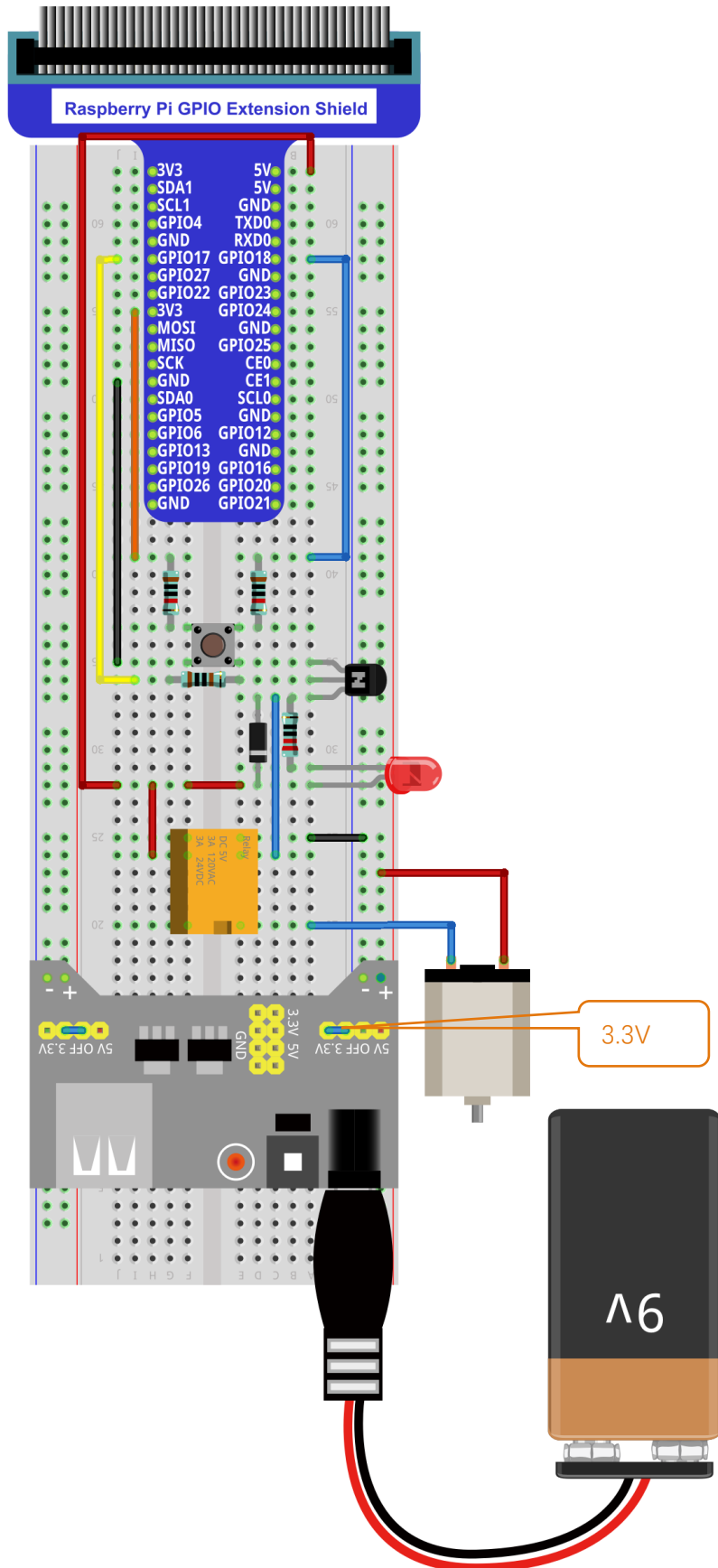
Raspberry Pi x1 GPIO Expansion Board & Wire x1 Breadboard x1		Jumper M/M x8 			
9V battery (prepared by yourself) & battery line 					
Breadboard extension x1 		Resistor 10kΩ x2 	Resistor 1kΩ x1 	Resistor 220Ω x1 	
NPN transistor x1 	Relay x1 	Motor x1 	Push button x1 	LED x1 	Diode x1 

Circuit

Use caution with the power supply voltage needed for the components in this circuit. The Relay requires a power supply voltage of 5V, and the DC Motor only requires 3.3V. Additionally, there is an LED present, which acts as an indicator (ON or OFF) for the status of the Relay's active status.



Hardware connection



Sketch

Sketch 15.1.1 Relay

First observe the result after running the sketch, and then learn about the code in detail.

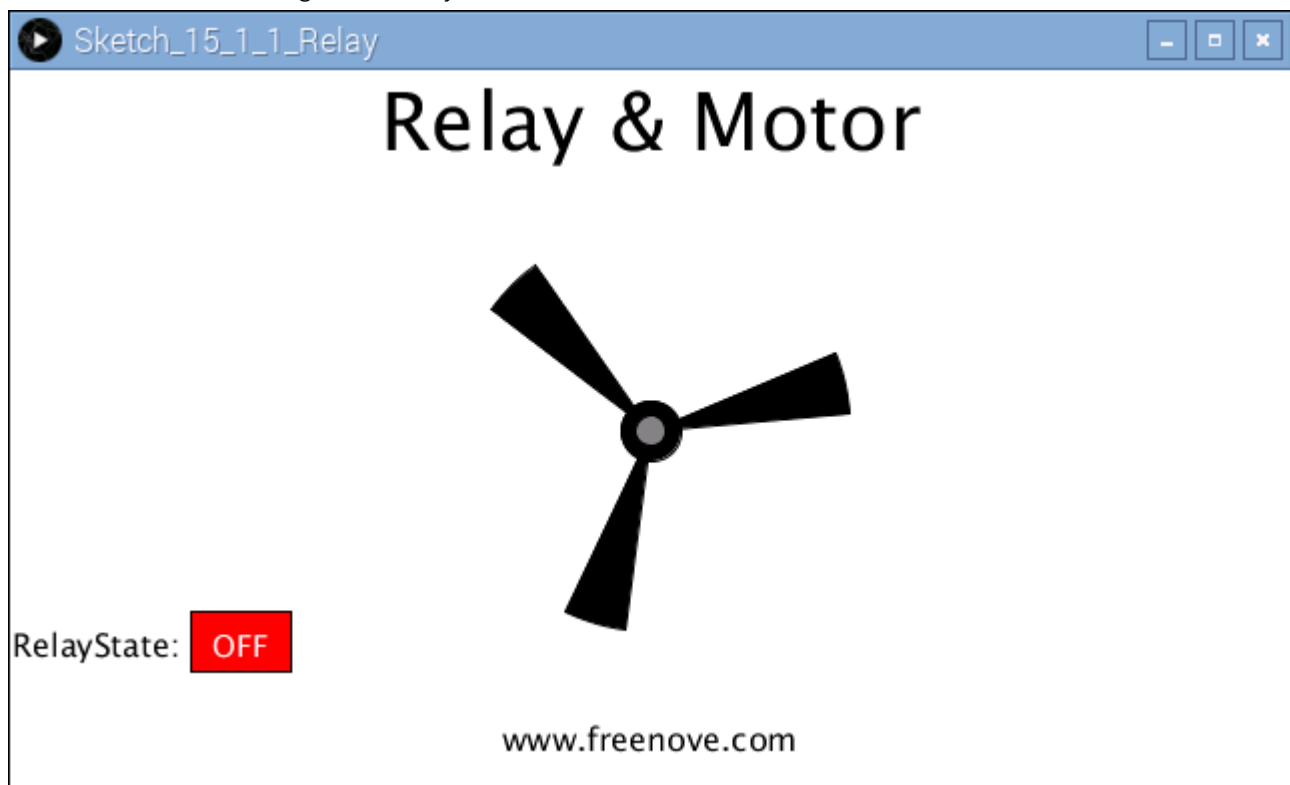
1. Use Processing to open the file Sketch_15_1_1_Relay.

```
processing
```

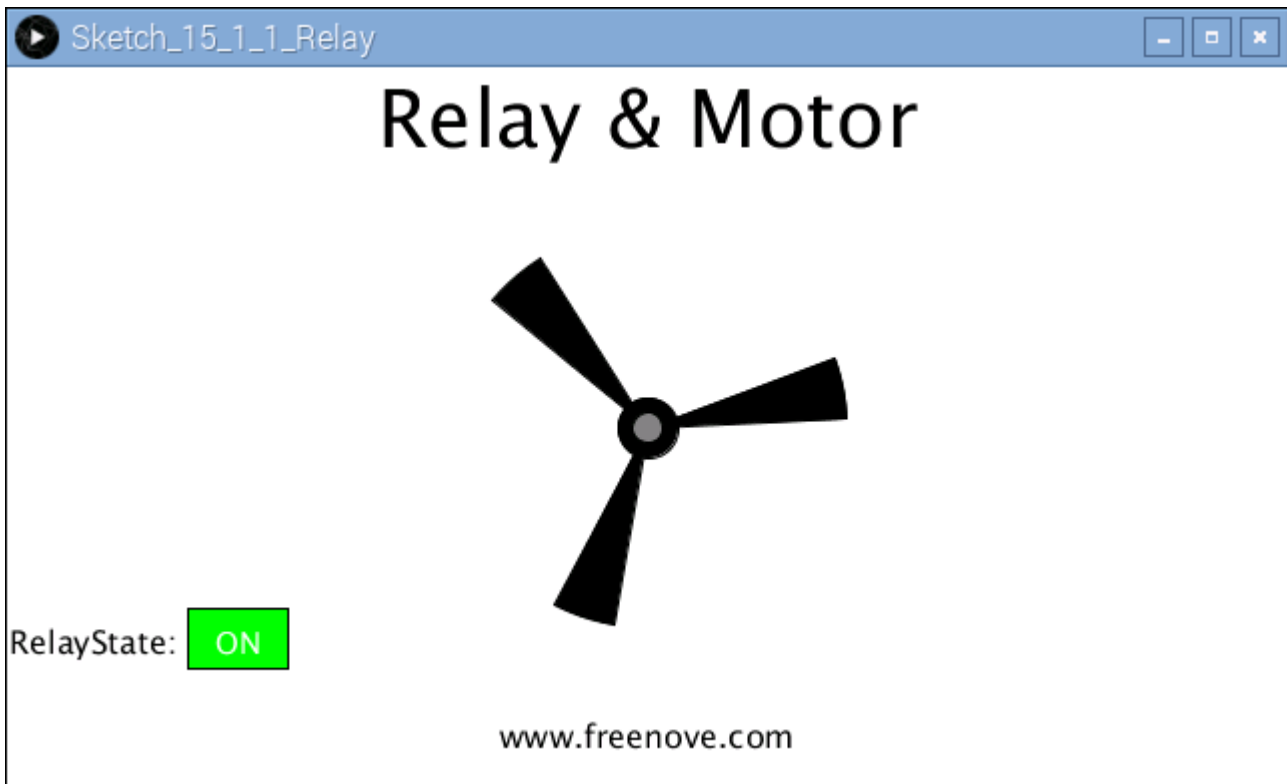
```
~/Freenove_Kit/Processing/Sketches/Sketch_15_1_1_Relay/Sketch_15_1_1_Relay.pde
```

2. Click on "RUN" to run the code.

After the program is executed, Display Window shows the fan pattern used to simulate the motor and a Button for the controlling of the relay.



Click on the button on Display Window or press the button in the circuit, the relay is opened and the motor is driven. Press the Button again, then the reverse is the case.



This project contains several code files, as shown below:



The following is program code:

```

1  import processing.io.*;
2
3  int relayPin = 17;
4  int buttonPin = 18;
5  SingleKey key = new SingleKey(buttonPin);
6  boolean relayState = false;
7  BUTTON btn;
8  float rotaSpeed = 0.02 * PI; //virtual fan's rotating speed,
9  float rotaPosition = 0; //motor position

```



```
10 void setup() {
11     size(640, 360);
12     GPIO.pinMode(relayPin, GPIO.OUTPUT);
13     btn = new BUTTON(90, height - 90, 50, 30); //define the button
14     btn.setBgColor(0, 255, 0); //set button color
15     btn.setText("OFF"); //set button text
16 }
17
18 void draw() {
19     background(255);
20     titleAndSiteInfo(); //title and site information
21
22     skey.keyScan(); //key scan
23     if (skey.isPressed) { //key is pressed?
24         relayAction();
25     }
26     textAlign(RIGHT, CENTER);
27     text("RelayState: ", btn.x, btn.y+btn.h/2);
28     btn.create(); //create the button
29     if (relayState) {
30         rotaPosition += rotaSpeed;
31     }
32     if (rotaPosition >= 2*PI) {
33         rotaPosition = 0;
34     }
35     drawFan(rotaPosition); //show the virtual fan in Display window
36 }
37 //Draw a clover fan according to the stating angle
38 void drawFan(float angle) {
39     constrain(angle, 0, 2*PI);
40     fill(0);
41     for (int i=0; i<3; i++) {
42         arc(width/2, height/2, 200, 200, 2*i*PI/3+angle, (2*i+0.3)*PI/3+angle, PIE);
43     }
44     fill(0);
45     ellipse(width/2, height/2, 30, 30);
46     fill(128);
47     ellipse(width/2, height/2, 15, 15);
48 }
49 void relayAction() {
50     if (relayState) {
51         GPIO.digitalWrite(relayPin, GPIO.LOW);
52         relayState = false;
53         btn.setBgColor(255, 0, 0);
```

```

54     btn.setText("OFF");
55   } else {
56     GPIO.digitalWrite(relayPin, GPIO.HIGH);
57     relayState = true;
58     btn.setBackgroundColor(0, 255, 0);
59     btn.setText("ON");
60   }
61 }
62 void mousePressed() {
63   if ((mouseY < btn.y+btn.h) && (mouseY > btn.y)
64       && (mouseX < btn.x+btn.w) && (mouseX > btn.x)) { // the mouse clicks the button
65     relayAction();
66   }
67 }
68 void titleAndSiteInfo() {
69   fill(0);
70   textAlign(CENTER); //set the text centered
71   textSize(40); //set text size
72   text("Relay & Motor", width / 2, 40); //title
73   textSize(16);
74   text("www.freenove.com", width / 2, height - 20); //site
75 }

```

First define pins corresponding to the key and relay.

```

int relayPin = 17;
int buttonPin = 18;
SingleKey key = new SingleKey(buttonPin);
boolean relayState = false;
BUTTON btn;

```

In the function setup(), Display Window and virtual button are initialized.

```

void setup() {
  size(640, 360);
  GPIO.pinMode(relayPin, GPIO.OUTPUT);
  btn = new BUTTON(90, height - 90, 50, 30); //define the button
  btn.setBackgroundColor(0, 255, 0); //set button color
  btn.setText("OFF"); //set button text
}

```

In the function draw(), scan entity buttons. If the button is pressed, then execute the subfunction relayAction(), in which the state of Relay and virtual buttons will be changed. And then draw the virtual buttons and fan blades.

```

void draw() {
  background(255);

```

```
titleAndSiteInfo(); //title and site information

skey.keyScan(); //key scan
if (skey.isPressed) { //key is pressed?
    relayAction();
}
textAlign(RIGHT, CENTER);
text("RelayState: ", btn.x, btn.y+btn.h/2);
btn.create(); //create the button
if (relayState) {
    rotaPosition += rotaSpeed;
}
if (rotaPosition >= 2*PI) {
    rotaPosition = 0;
}
drawFan(rotaPosition); //show the virtual fan in Display window
}
```

Reference

class SingleKey

This is a custom class that is used to control the state of an independent single key.

```
public SingleKey(int Pin)
```

Constructor, used to create a SingleKey class object. The parameter represents the GPIO pin number connected to the key.

```
void keyScan()
```

Used to detect key state. If the key is pressed, the member variable isPressed will be turned to true, and corresponding GPIO pin number will be assigned to the global variable keyValue. Otherwise, isPressed is false, keyValue is -1.


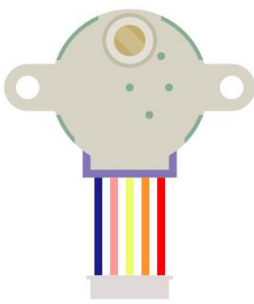
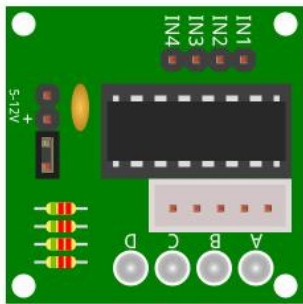
Chapter 16 Stepper Motor

In this chapter, we will learn how to use Stepper Motor.

Project 16.1 Stepper Motor

In this project, we will learn to control the speed, turning and step number of Stepper Motor.

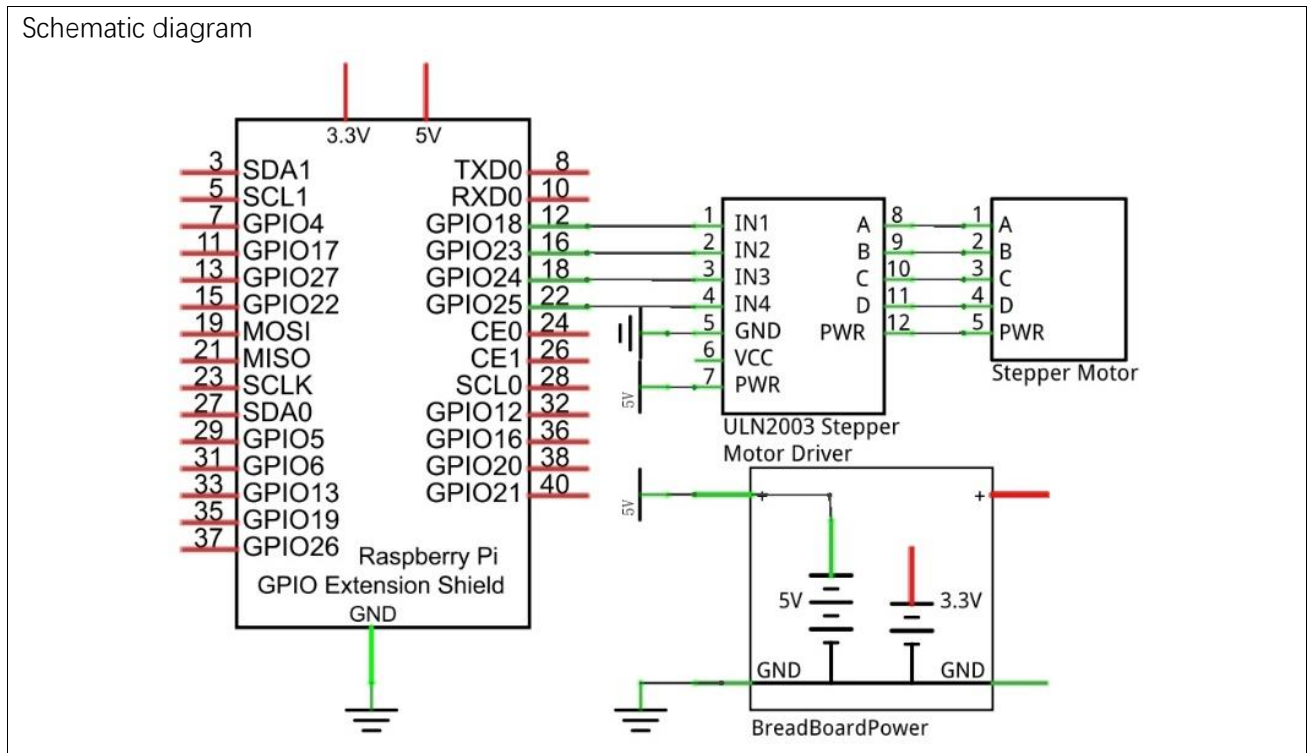
Component List

Raspberry Pi x1 GPIO Expansion Board & Wire x1 Breadboard x1	Jumper M/M x1 M/F x6 
Stepping Motor x1 	ULN2003 Stepper Motor Driver x1 

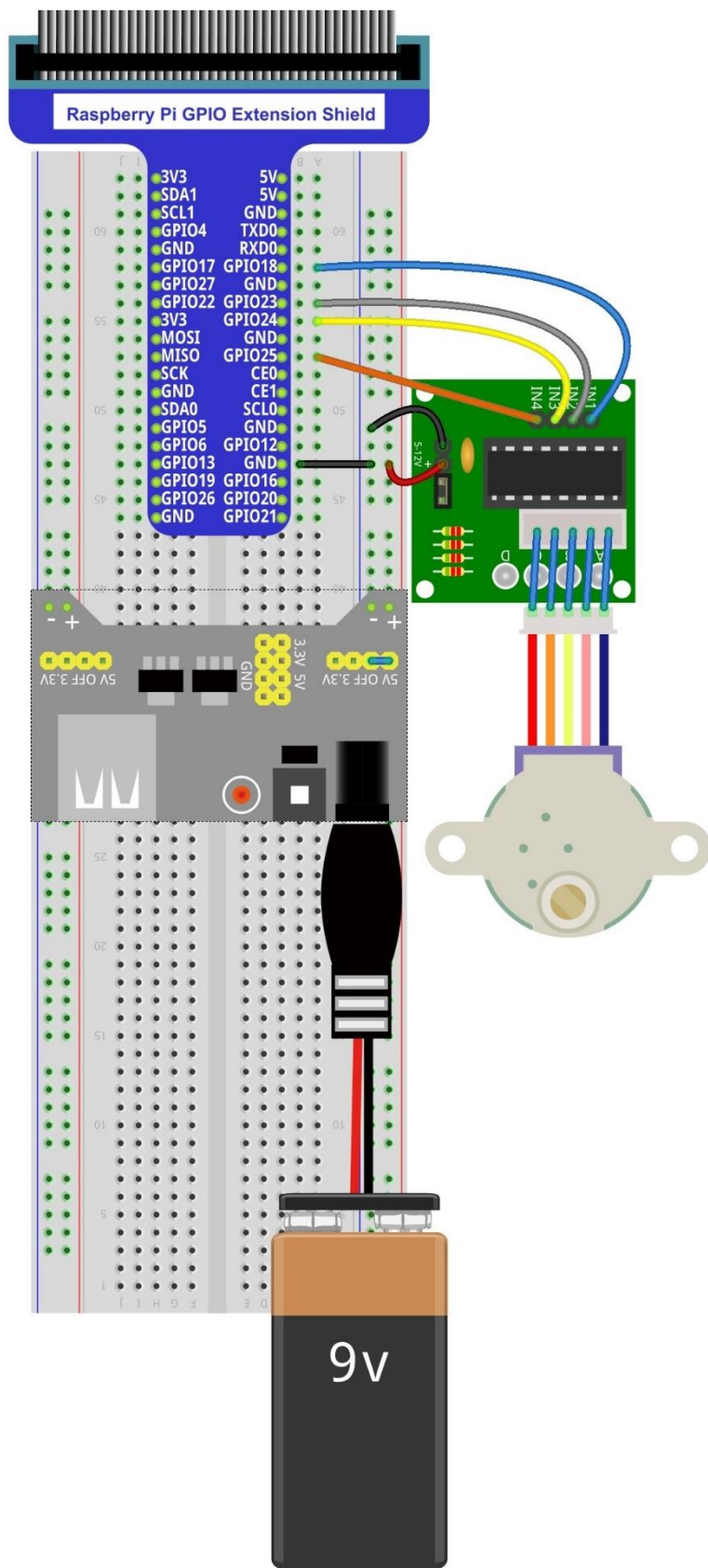
Circuit

When building the circuit, note that rated voltage of the Stepper Motor is 5V, and we need to use the breadboard power supply independently, (**Caution do not use the RPi power supply**). Additionally, the breadboard power supply needs to share Ground with RPi.

Schematic diagram



Hardware connection



Sketch

In this project, a separate thread is opened to control the stepper motor. The uncertainty of the system time slice allocation may lead to the running of the stepper motor not smooth, which is a normal phenomenon.

Sketch 16.1.1 SteppingMotor

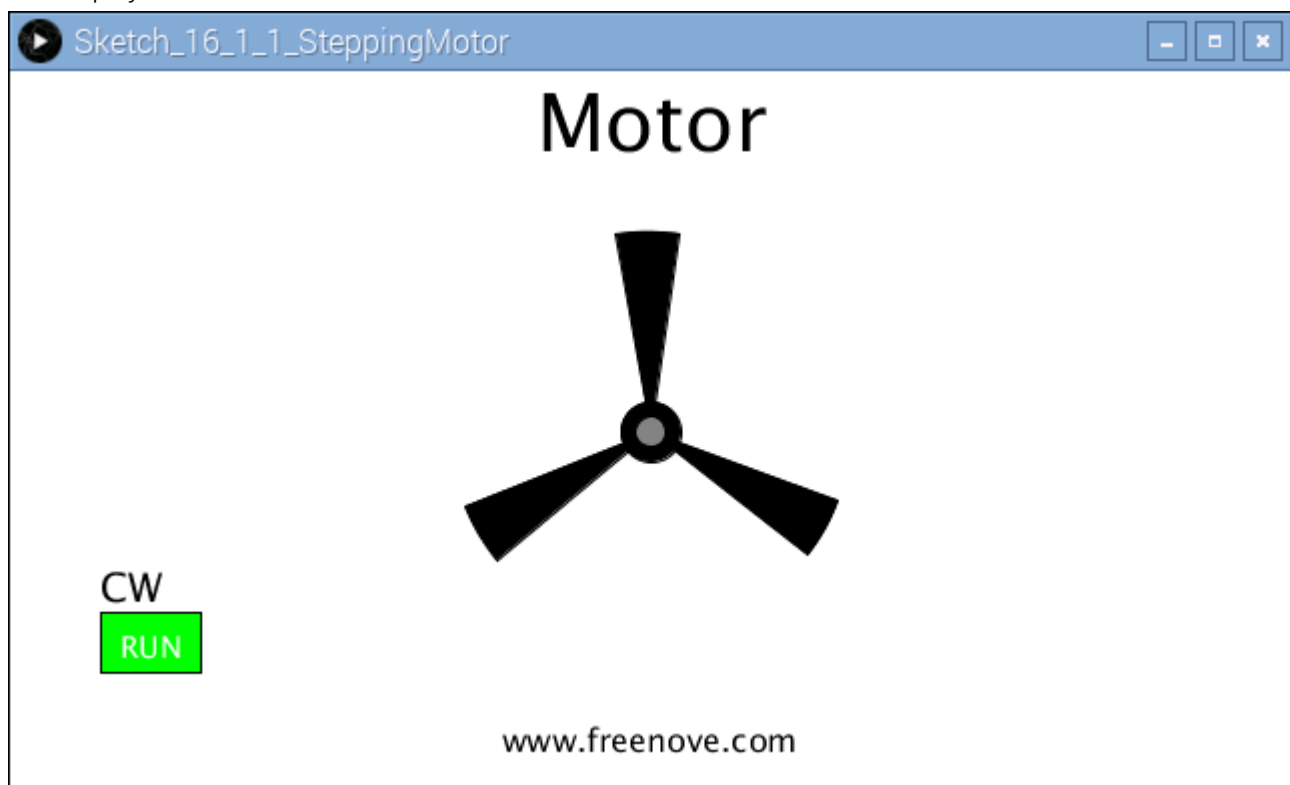
First observe the result after running the sketch, and then learn about the code in detail.

1. Use Processing to open the file Sketch_16_1_1_SteppingMotor.

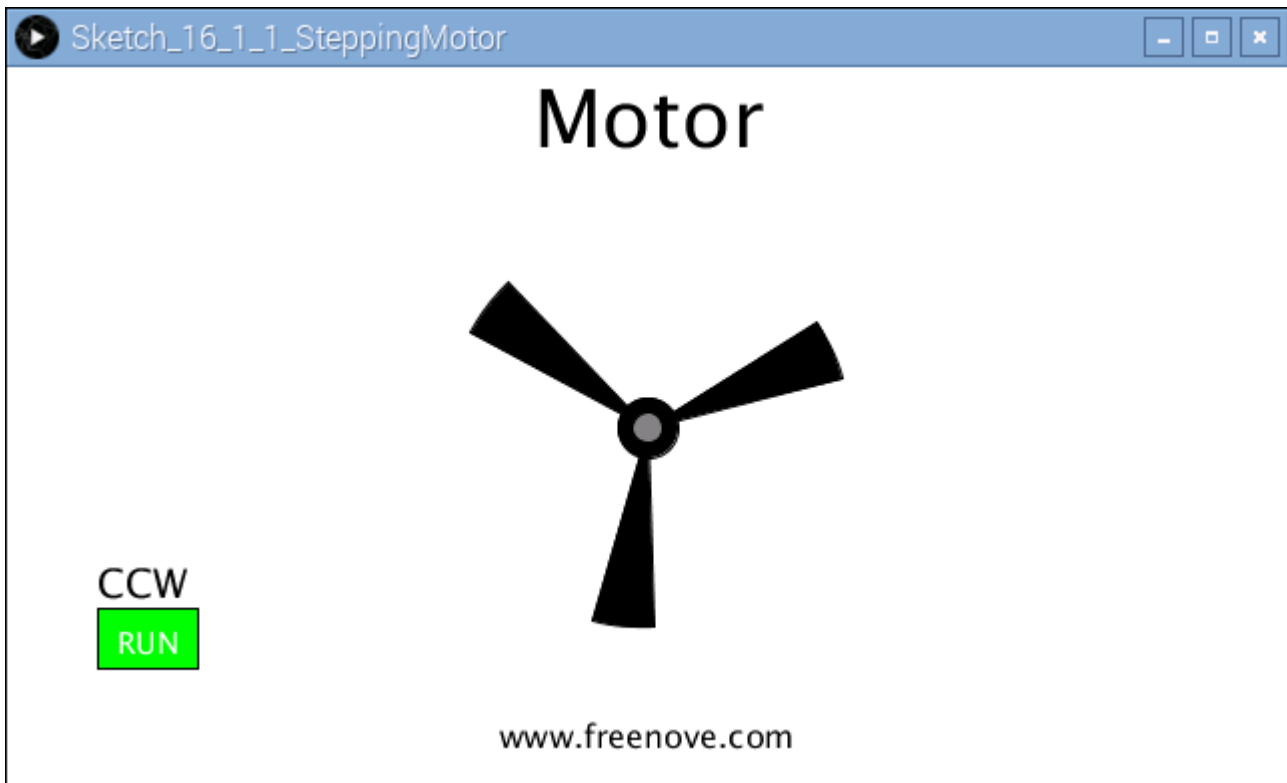
```
processing
~/Freenove_Kit/Processing/Sketches/Sketch_16_1_1_SteppingMotor/Sketch_16_1_1_SteppingMotor.pde
```

2. Click on "RUN" to run the code.

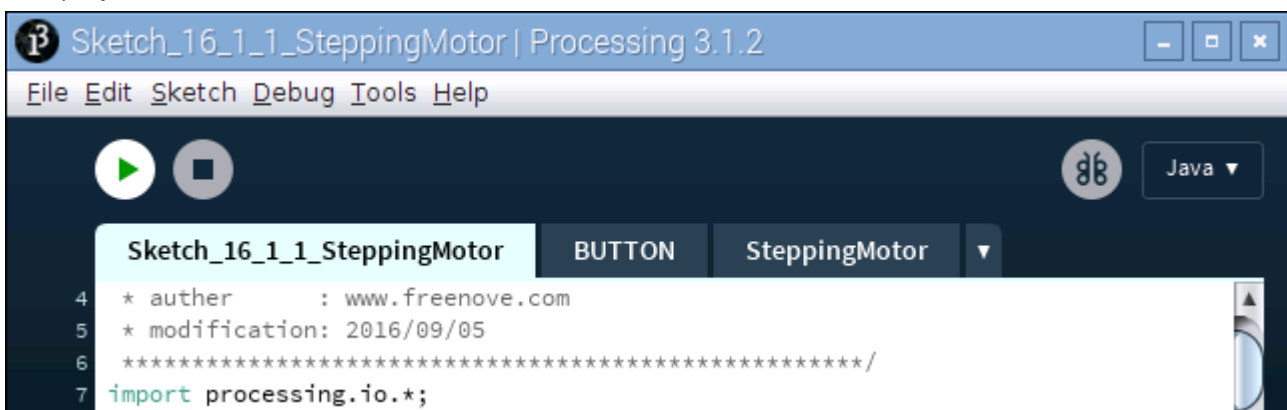
After the program is executed, Display Window shows a pattern used to simulate the motor, and a button used to control RUN/STOP state of stepper motor. The stepper motor in the circuit and the virtual motor in the Display Window will start to rotate at the same time.



The stepper motor rotates clockwise at a fixed speed for a circle and then rotates counterclockwise for another circle, which repeats in an endless loop. Clicking on the Button can change the state (start or stop) of the stepper motor.



This project contains several code files, as shown below:



The following is program code:

```

1  import processing.io.*;
2
3  int[] pins = {18, 23, 24, 25}; //connect to motor phase A,B,C,D pins
4  BUTTON btn; //BUTTON Object, For controlling the direction of motor
5  SteppingMotor m = new SteppingMotor(pins);
6  float rotaSpeed = 0, rotaPosition = 0; //motor speed
7  boolean isMotorRun = true; //motor run/stop flag
8

```



```
9 void setup() {
10     size(640, 360);
11     btn = new BUTTON(45, height - 90, 50, 30); //define the button
12     btn.setBackgroundColor(0, 255, 0); //set button color
13     btn.setText("RUN"); //set button text
14     m.motorStart(); //start motor thread
15     rotaSpeed = 0.002 * PI; //virtual fan's rotating speed
16 }
17
18 void draw() {
19     background(255);
20     titleAndSiteInfo(); //title and site information
21     btn.create(); //create the button
22     if (isMotorRun) { //motor is running
23         fill(0);
24         textAlign(LEFT, BOTTOM);
25         textSize(20);
26         if (m.dir == m.CW) {
27             text("CW", btn.x, btn.y); //text "CW "
28             rotaPosition+=rotaSpeed;
29             if (rotaPosition>=TWO_PI) {
30                 rotaPosition = 0;
31             }
32         } else if (m.dir == m.CCW) {
33             text("CCW", btn.x, btn.y); //text "CCW"
34             rotaPosition-=rotaSpeed;
35             if (rotaPosition<=0) {
36                 rotaPosition = TWO_PI;
37             }
38         }
39     }
40     if (m.steps<=0) { //if motor has stopped,
41         if (m.dir == m.CCW) { //change the direction, restart.
42             m.moveSteps(m.CW, 1, 512);
43         } else if (m.dir == m.CW) {
44             m.moveSteps(m.CCW, 1, 512);
45         }
46     }
47     drawFan(rotaPosition); //show the virtual fan in Display window
48 }
49 //Draw a clover fan according to the stating angle
50 void drawFan(float angle) {
51     constrain(angle, 0, 2*PI);
52     fill(0);
```

```

53   for (int i=0; i<3; i++) {
54       arc(width/2, height/2, 200, 200, 2*i*PI/3+angle, (2*i+0.3)*PI/3+angle, PIE);
55   }
56   fill(0);
57   ellipse(width/2, height/2, 30, 30);
58   fill(128);
59   ellipse(width/2, height/2, 15, 15);
60 }
61
62 void exit() {
63     m.motorStop();
64     println("exit");
65     System.exit(0);
66 }
67 void mousePressed() {
68     if ((mouseY < btn.y+btn.h) && (mouseY > btn.y)
69         && (mouseX < btn.x+btn.w) && (mouseX > btn.x)) { // the mouse clicks the button
70         if (isMotorRun) {
71             isMotorRun = false;
72             btn.setBackgroundColor(255, 0, 0);
73             btn.setText("STOP");
74             m.motorStop();
75         } else {
76             isMotorRun = true;
77             btn.setBackgroundColor(0, 255, 0);
78             btn.setText("RUN");
79             m.motorRestart();
80         }
81     }
82 }
83 void titleAndSiteInfo() {
84     fill(0);
85     textAlign(CENTER); //set the text centered
86     textSize(40); //set text size
87     text("Motor", width / 2, 40); //title
88     textSize(16);
89     text("www.freenove.com", width / 2, height - 20); //site
90 }

```

First define 4 GPIOs connected to the motor, the BUTTON class object and SteppingMotor class object.

```

int[] pins = {18, 23, 24, 25}; //connect to motor phase A,B,C,D pins
BUTTON btn; //BUTTON Object, For controlling the direction of motor
SteppingMotor m = new SteppingMotor(pins);

```

In the function `setup()`, initialize the Button, start thread of stepping motor, and set the rotating speed of the virtual motor.

```
void setup() {
  size(640, 360);
  btn = new BUTTON(45, height - 90, 50, 30); //define the button
  btn.setBackgroundColor(0, 255, 0); //set button color
  btn.setText("RUN"); //set button text
  m.motorStart(); //start motor thread
  rotaSpeed = 0.002 * PI; //virtual fan's rotating speed
}
```

In the function `draw()`, first draw the button, and calculate the position of the virtual motor and show the current rotating direction.

```
background(255);
titleAndSiteInfo(); //title and site information
btn.create(); //create the button
if (isMotorRun) { //motor is running
  fill(0);
  textAlign(LEFT, BOTTOM);
  textSize(20);
  if (m.dir == m.CW) {
    text("CW", btn.x, btn.y); //text "CW"
    rotaPosition+=rotaSpeed;
    if (rotaPosition>=TWO_PI) {
      rotaPosition = 0;
    }
  } else if (m.dir == m.CCW) {
    text("CCW", btn.x, btn.y); //text "CCW"
    rotaPosition-=rotaSpeed;
    if (rotaPosition<=0) {
      rotaPosition = TWO_PI;
    }
  }
}
```

And then determine whether the stepper motor is in stopping state according to the value of "m.steps". If it is true, change the rotating direction of motor, and drive the motor to rotate a circle.

```
if (m.steps<=0) { //if motor has stopped,
  if (m.dir == m.CCW) { //change the direction ,restart.
    m.moveSteps(m.CW, 1, 512);
  } else if (m.dir == m.CW) {
    m.moveSteps(m.CCW, 1, 512);
  }
}
```

```
}
```

Finally draws the virtual fan.

```
drawFan(rotaPosition);
```

Reference

class SteppinMotor

This is a custom class that defines some methods to drive the four-phase stepper motor.

```
public SteppingMotor(int[] mPins)
```

Constructor. The parameter represents the GPIO pin connected to the stepper motor.

```
public void motorStart()
```

Start a stepper motor thread, then the thread is in the state of waiting, waiting for a notification to wake it up.

```
public void moveSteps(int idir, int ims, int isteps)
```

Used to drive stepper motor to rotate, the parameter "idir" indicates the direction that can be set as CW/CCW. The parameter "ims" is the delay (with unit ms) between each two steps of stepper motor. The higher the value of "ims", the lower the speed of stepper motor. Parameter "isteps" specifies the number of rotating steps of the stepper motor. As for four-phase stepper motor, four steps make a cycle, if set isteps=1, which means to specify the stepping motor to rotate four steps.

```
public void motorStop()
```

Stop stepper motor.

```
public void motorRestart()
```

Restart to drive stepper motor.

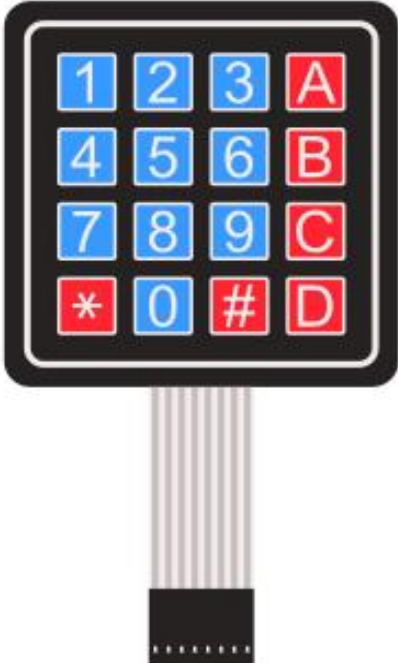

Chapter 17 Matrix Keypad

In this chapter, we will learn how to use matrix keyboard.

Project 17.1 Calculator

In this project, we will use a matrix keyboard to make a calculator.

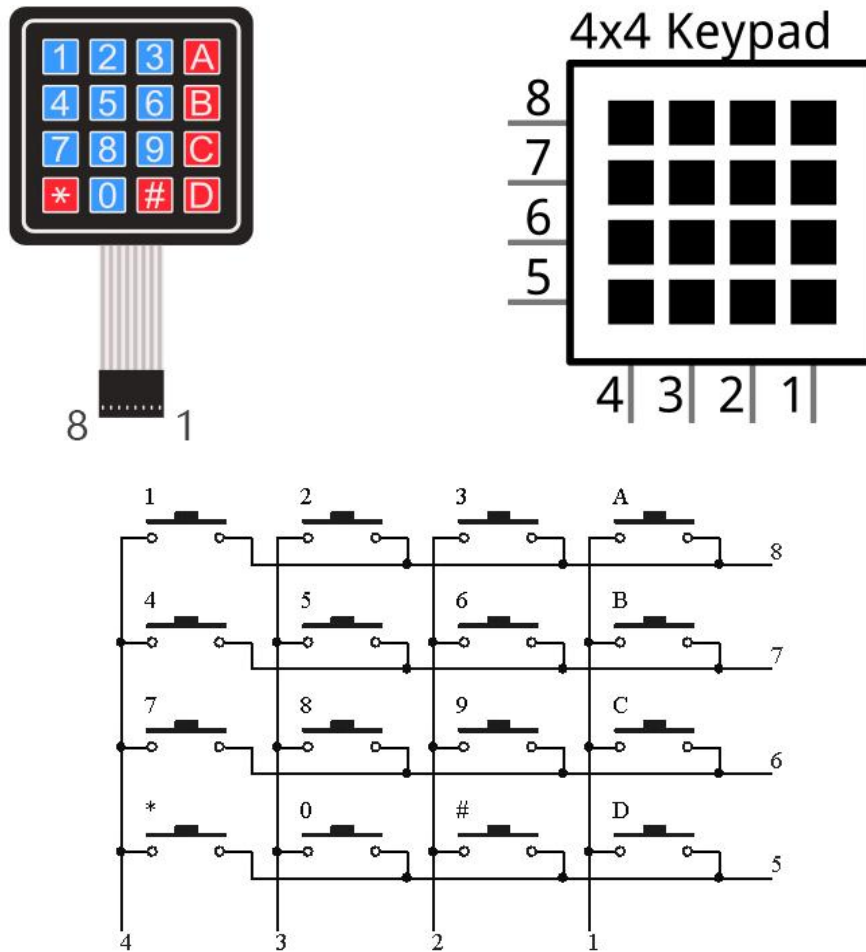
Component List

<p>Raspberry Pi x1 GPIO Expansion Board & Wire x1 Breadboard x1</p>	<p>4x4 Matrix Keypad x1</p> 
<p>Jumper M/M x8</p> 	

Component knowledge

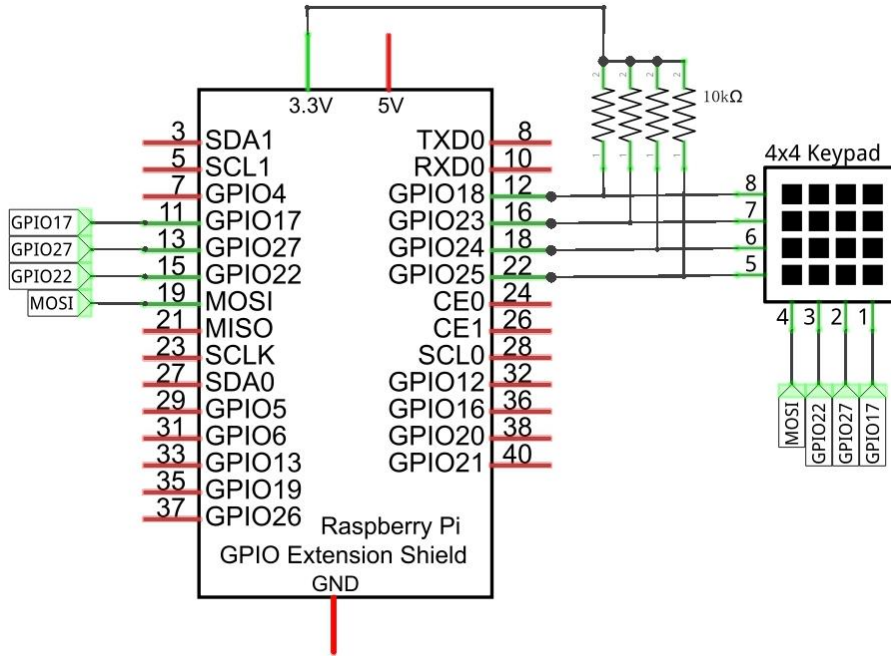
4x4 Matrix Keypad

First, review the matrix keyboard sequence to facilitate building circuit.

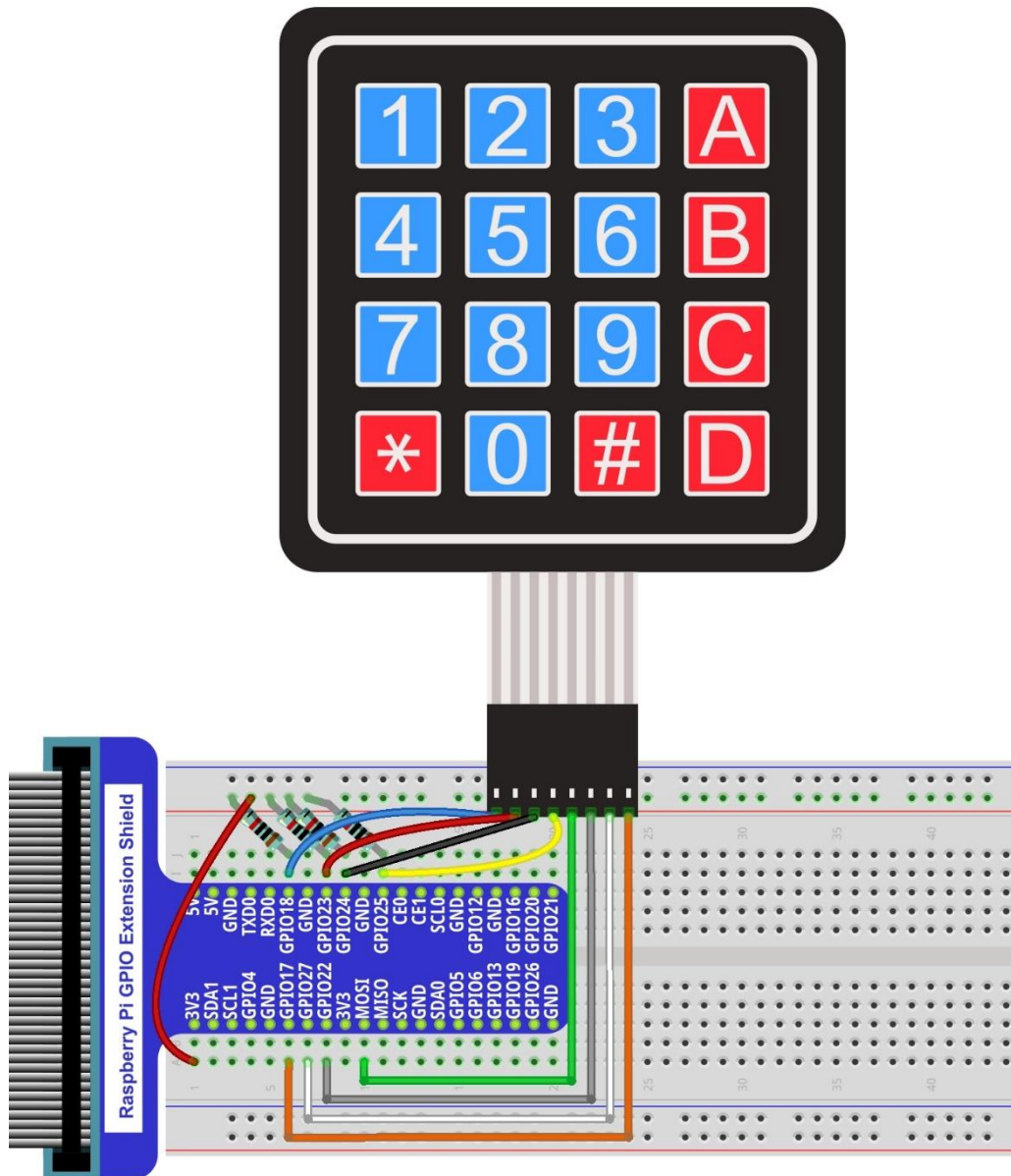


Circuit

Schematic diagram



Hardware connection



Sketch

Sketch 17.1.1 Calculator

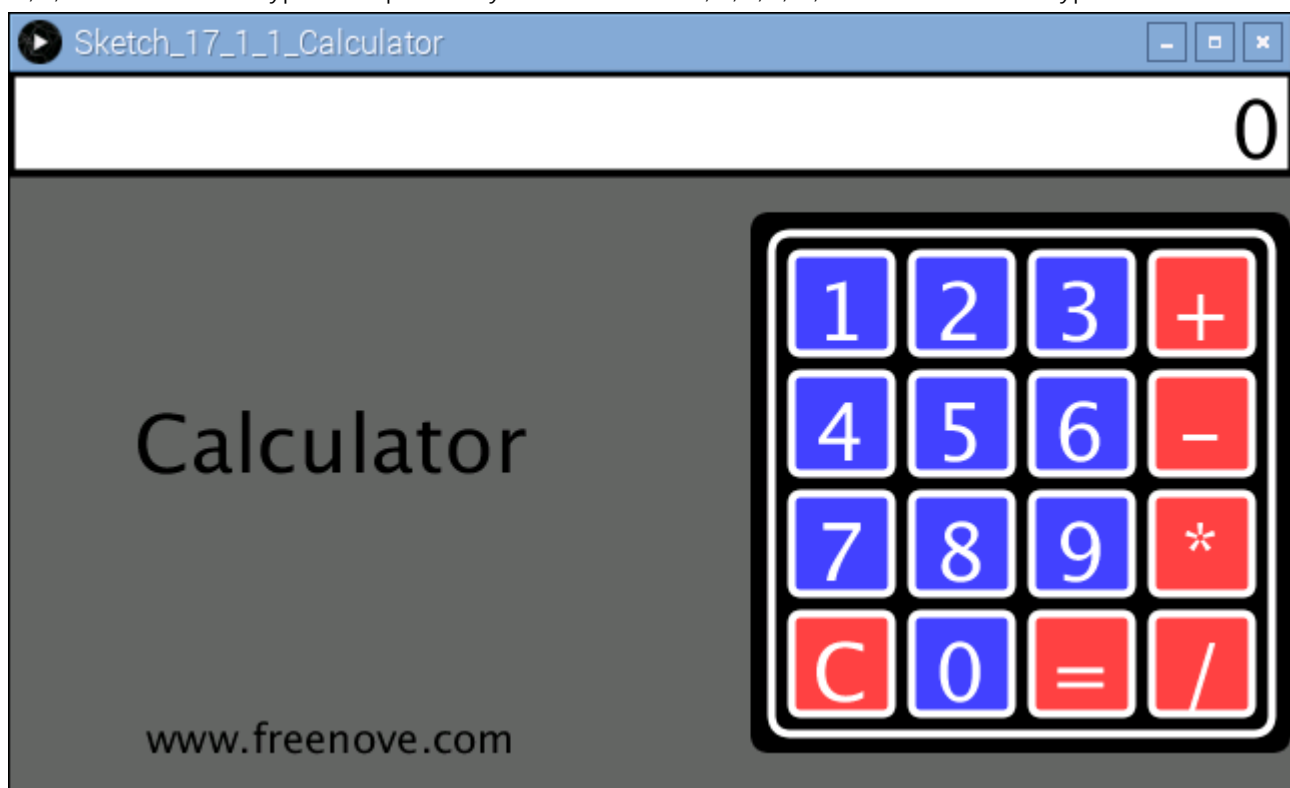
First observe the result after running the sketch, and then learn about the code in detail.

1. Use Processing to open the file Sketch_17_1_1_Calculator.

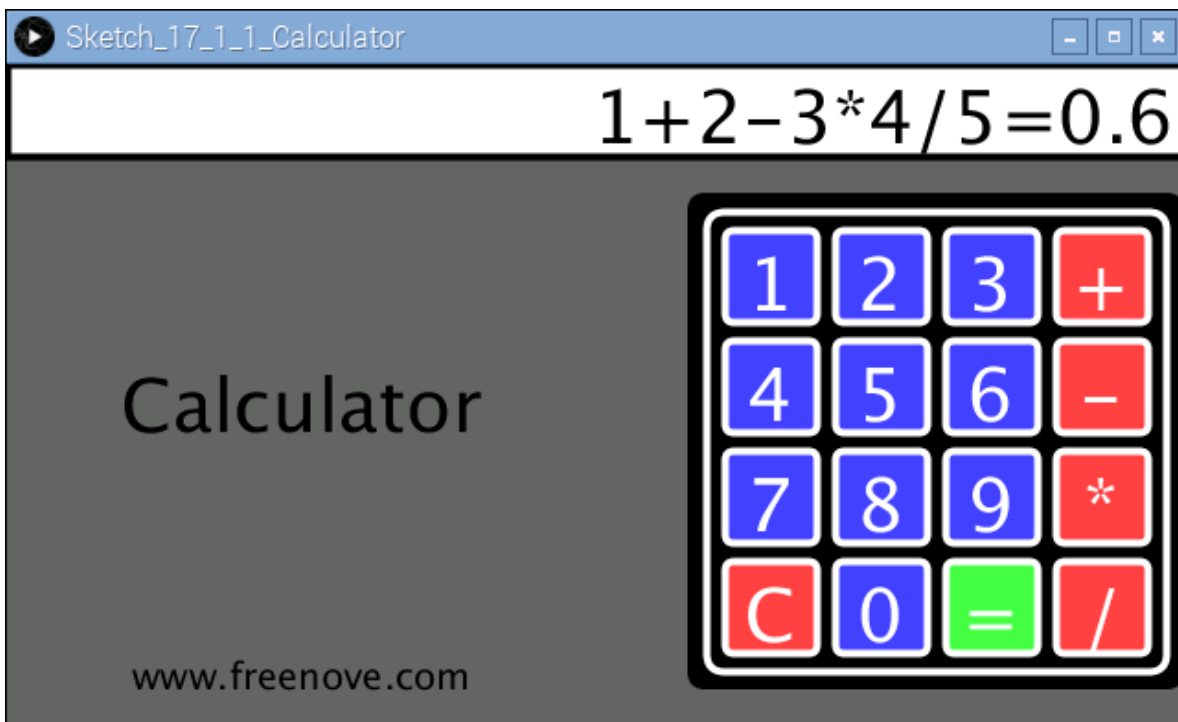
```
processing
~/Freenove_Kit/Processing/Sketches/Sketch_17_1_1_Calculator/Sketch_17_1_1_Calculator.pde
```

2. Click on "RUN" to run the code.

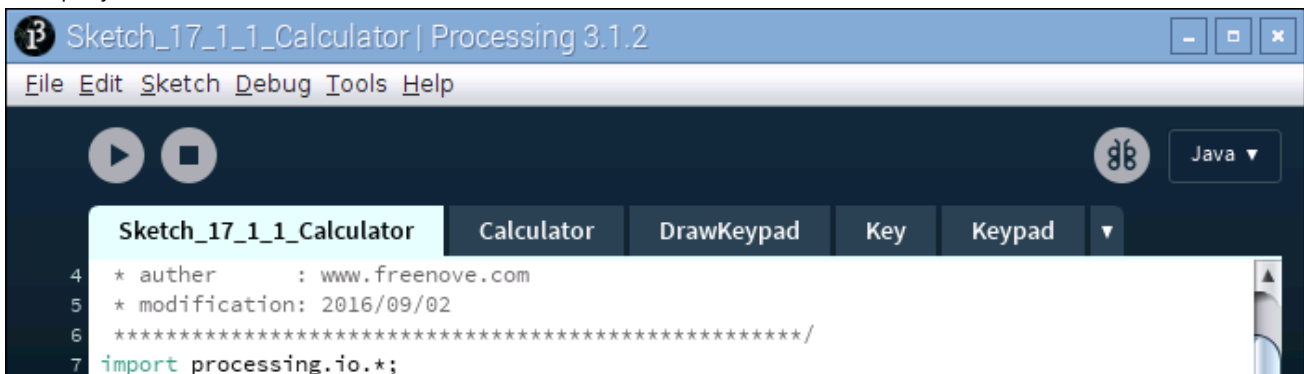
After the program is executed, Display Window shows the following interface, where the character "A, B, C, D, *, #" on the real Keypad is replaced by the character "+, -, *, /, C, =" on the virtual Keypad.



Calculator achieves the basic operation of add, subtract, multiply and divide. Button "C" means Clear, namely, clear the current content. When a button is pressed, the color of the corresponding button on the virtual keyboard will be turned into green, which indicates that the button is pressed.



This project contains several code files, as shown below:



The following is program code:

```

1  import processing.io.*;
2
3  final static char[] keys = { //key code
4    '1', '2', '3', '+',
5    '4', '5', '6', '-',
6    '7', '8', '9', '*',
7    'C', '0', '=', '/' };
8  final int[] rowsPins = {18, 23, 24, 25}; //Connect to the row pinouts of the keypad
9  final int[] colsPins = {10, 22, 27, 17}; //Connect to the column pinouts of the keypad
10 Keypad kp = new Keypad(keys, rowsPins, colsPins); //class object

```

```

11 Calculator cc = new Calculator(kp); //class Object
12 void setup() {
13     size(640, 360);
14 }
15 void draw() {
16     background(102);
17     titleAndSiteInfo(); //Tile and site information
18     cc.process(); //Get key and processing
19     drawDisplay(cc.contentStr); //Draw display area and content
20     drawKeypad(width-kpSize, 70); //draw virtual Keypad
21 }
22 void titleAndSiteInfo() {
23     fill(0);
24     textAlign(CENTER); //set the text centered
25     textSize(40); //set text size
26     text("Calculator", width / 4, 200); //title
27     textSize(20);
28     text("www.freenove.com", width / 4, height - 20); //site
29 }

```

In the code, first define key code of the Keypad, and the GPIO connected to the Keypad. Then create a Keypad class object based on the information, and finally create a Calculator class object according to the Keypad class object.

```

final static char[] keys = { //key code
    '1', '2', '3', '+',
    '4', '5', '6', '-',
    '7', '8', '9', '*',
    'C', '0', '=', '/' };
final int[] rowsPins = {18, 23, 24, 25}; //Connect to the row pinouts of the keypad
final int[] colsPins = {10, 22, 27, 17}; //Connect to the column pinouts of the keypad
Keypad kp = new Keypad(keys, rowsPins, colsPins); //class object
Calculator cc = new Calculator(kp); //class object

```

In draw(), use cc.process() to obtain the key code of Keypad and for processing. And then draw the display area and virtual Keypad.

```

void draw() {
    background(102);
    titleAndSiteInfo(); //Tile and site information
    cc.process(); //Get key and processing
    drawDisplay(cc.contentStr); //Draw display area and content
    drawKeypad(width-kpSize, 70); //draw virtual Keypad
}

```

Reference

void drawKeypad(int x, int y)

Used to draw a Keypad with (x, y) on the upper left corner.

void drawDisplay(String content)

The function at the top of the window to draw a calculator display area, and in the area of the right alignment display content.

class Key

This is a custom class that defines the associated attribute owned by a key. There are only some member variables and a constructor in this class.

class Keypad

This is a custom class that defines the methods to use keypad.

```
public Keypad(char[] usrKeyMap, int[] row_Pins, int[] col_Pins)
```

Constructor, the parameters are: key code of keyboard, row pins, column pins.

```
public char getKey()
```

Get the key code of the pressed key. If no key is pressed, the return value is '\0'.

```
public void setDebounceTime(int ms)
```

Set the debounce time. And the default time is 10ms.

```
public void setHoldTime(int ms)
```

Set the time when the key holds stable state after pressed.

```
public boolean isPressed(char keyChar)
```

Judge whether the key with code "keyChar" is pressed.

```
public char waitForKey()
```

Wait for a key to be pressed, and return key code of the pressed key.

```
public int getState()
```

Get state of the keys.

```
boolean keyStateChanged()
```

Judge whether there is a change of key state, then return True or False.

class Calculator

This is a custom class that defines the rules and calculating methods of the calculator.

```
String contentStr = "";
```

Member variable that saves the current processing results of the calculator, which will be directly displayed in the display area.

```
public Calculator(Keypad kp)
```

Constructor. the parameter is for the Keypad class object.

```
public void process()
```

Gets the key code of the key, and makes the corresponding judgment and processing. The Processing results are stored in the member variable "contentStr".

```
public double parse(String content)
```

This is the core of the calculator. It is to parse a string of four fundamental operations and return its double-precision floating-point number equivalent.. For example, enter a string "1+2-3*4/5", then return value of 0.6.


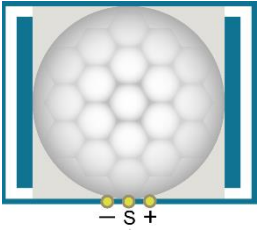


Chapter 18 Infrared Motion Sensor

In this chapter, we will learn a widely used sensor, Infrared Motion Sensor.

Project 18.1 Sense LED

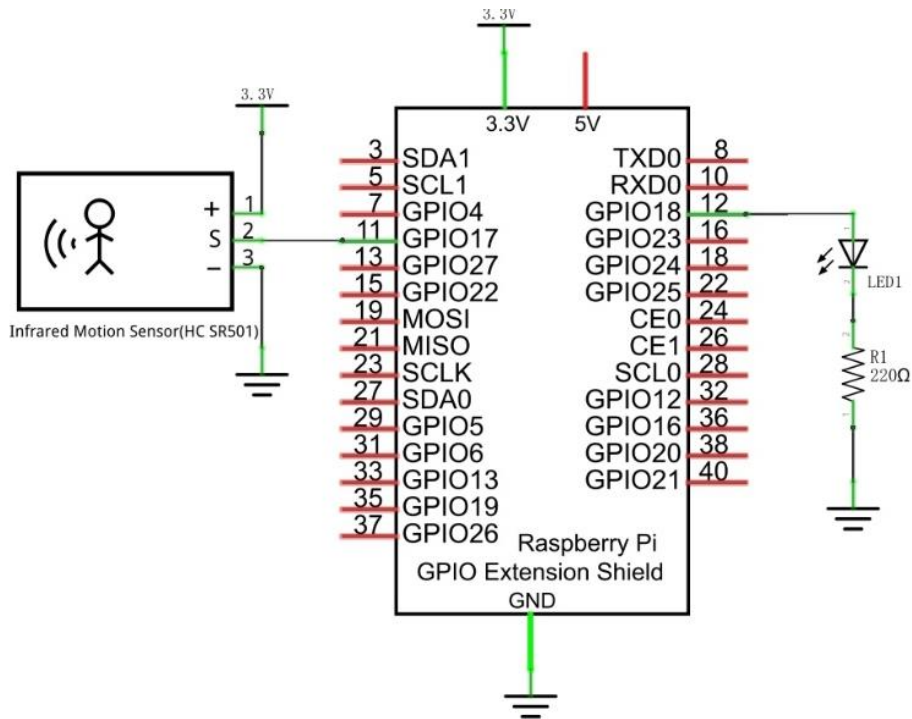
In this project, we will make a sense LED.

Component List

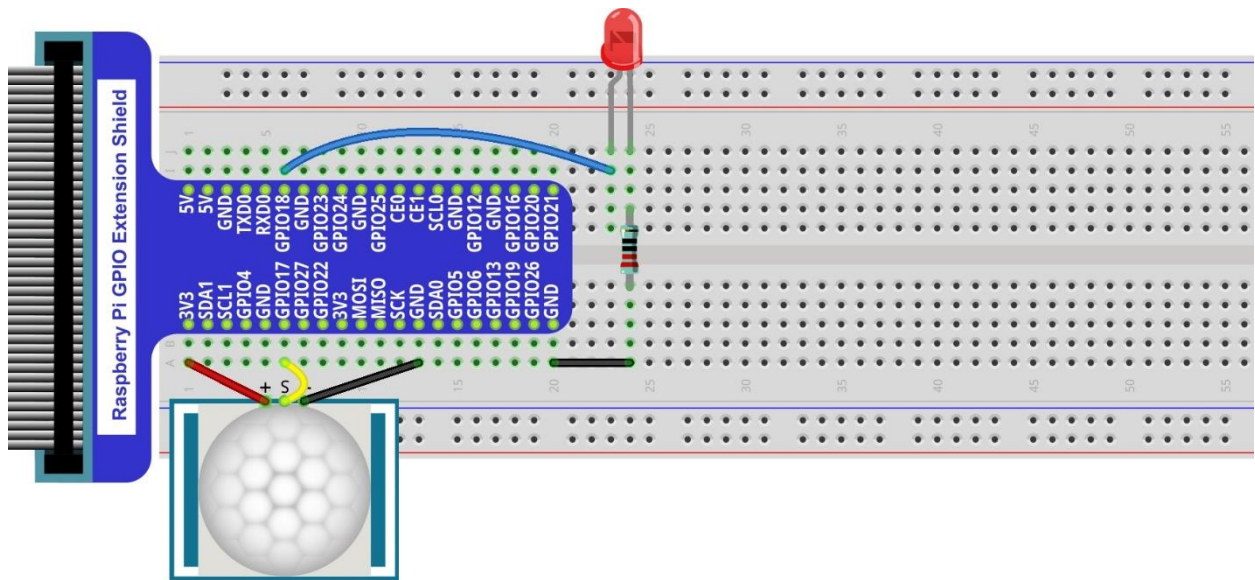
Raspberry Pi x1 GPIO Expansion Board & Wire x1 Breadboard x1	Jumper M/M x2 M/F x3 	
HC SR501 x1 	LED x1 	Resistor 220Ω x1 

Circuit

Schematic diagram



Hardware connection



Sketch

Sketch 18.1.1 SenseLED

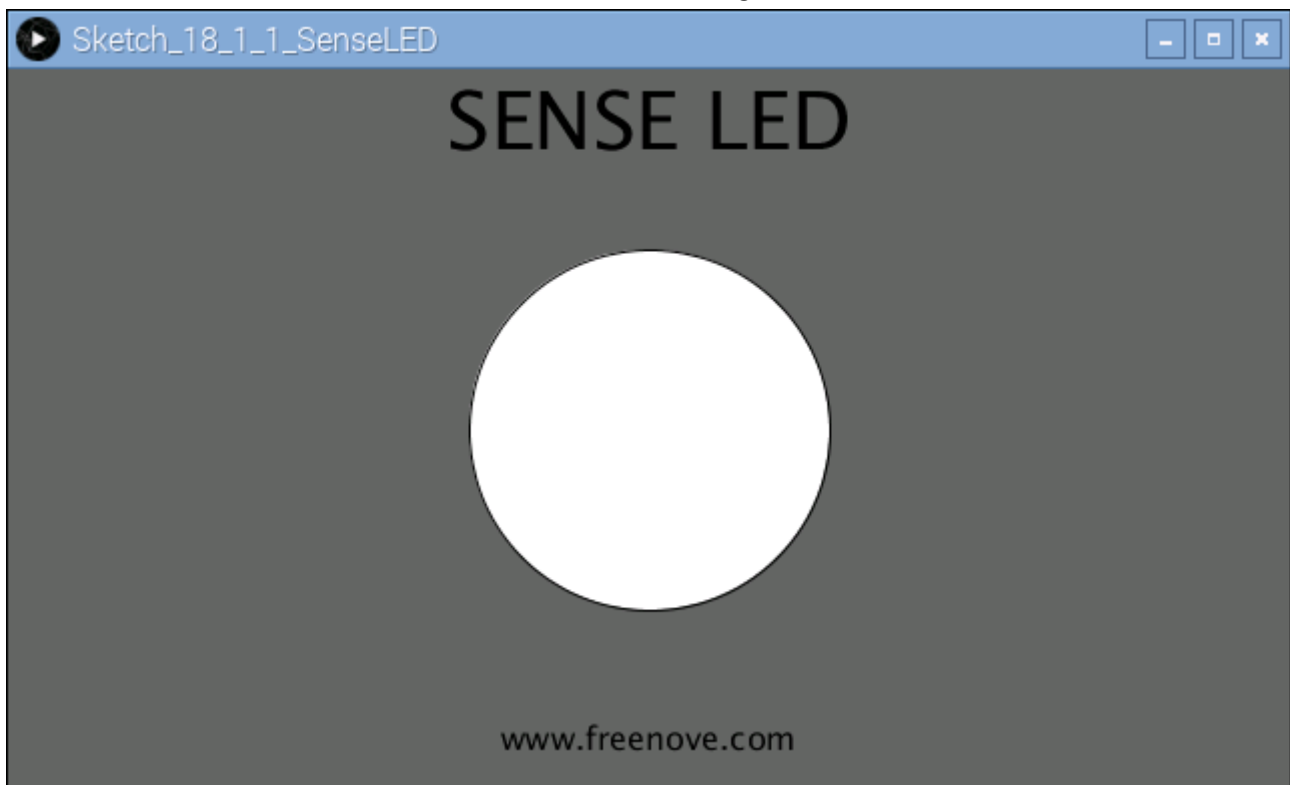
First, observe the result after running the sketch, and then learn about the code in detail.

1. Use Processing to open the file Sketch_18_1_1_SenseLED.

```
processing
~/Freenove_Kit/Processing/Sketches/Sketch_18_1_1_SenseLED/Sketch_18_1_1_SenseLED.pde
```

2. Click on "RUN" to run the code.

After the program is executed, Display Window shows the following interface, where the middle circle indicates the LED. Color of the circle is white when LED is off, green when LED is on.



The following is program code:

```
1  import processing.io.*;
2
3  final int sensorPin = 17; //connect to sensor pin
4  final int ledPin = 18;   //connect to led pin
5  void setup() {
6      size(640, 360);     //window size
7      GPIO.pinMode(sensorPin, GPIO.INPUT);
8      GPIO.pinMode(ledPin, GPIO.OUTPUT);
9  }
10
```

```
11 void draw() {
12     background(102);
13     titleAndSiteInfo();
14     //if read sensor for high level
15     if (GPIO.digitalRead(sensorPin) == GPIO.HIGH) {
16         GPIO.digitalWrite(ledPin, GPIO.HIGH); //led on
17         fill(64, 255, 64); //fill in green
18     } else {
19         GPIO.digitalWrite(ledPin, GPIO.LOW); //led off
20         fill(255); //fill in white
21     }
22     ellipse(width/2, height/2, height/2, height/2);
23 }
24
25 void titleAndSiteInfo() {
26     fill(0);
27     textAlign(CENTER); //set the text centered
28     textSize(40); //set text size
29     text("SENSE LED", width / 2, 40); //title
30     textSize(16);
31     text("www.freenove.com", width / 2, height - 20); //site
32 }
```

In this project, the code is relatively simple. In the function draw(), read level of sensor pin. When it is a high level, LED is turned on. At the same time the filled color will be changed to green. When the level is low, LED turns off and the filled color turns white. Finally, it draws a circle.

```
void draw() {
    background(102);
    titleAndSiteInfo();
    //if read sensor for high level
    if (GPIO.digitalRead(sensorPin) == GPIO.HIGH) {
        GPIO.digitalWrite(ledPin, GPIO.HIGH); //led on
        fill(64, 255, 64); //fill in green
    } else {
        GPIO.digitalWrite(ledPin, GPIO.LOW); //led off
        fill(255); //fill in white
    }
    ellipse(width/2, height/2, height/2, height/2);
}
```


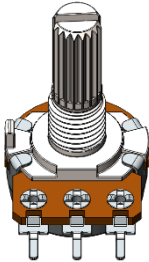
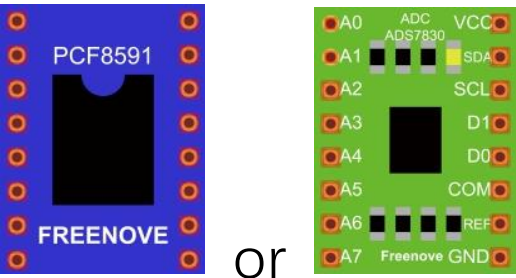


App 1 Oscilloscope

We have used the ADC module to read the voltage of potentiometer to achieve the function of a voltmeter before. In this chapter, we will make a more complex virtual instrument, oscilloscope. Oscilloscope is a widely used electronic measuring instrument. It can get the electrical signals that cannot be observed directly into visible images to facilitate the analysis and study of various electrical signals changing process.

App 1.1 Oscilloscope

Now, let's make an oscilloscope.

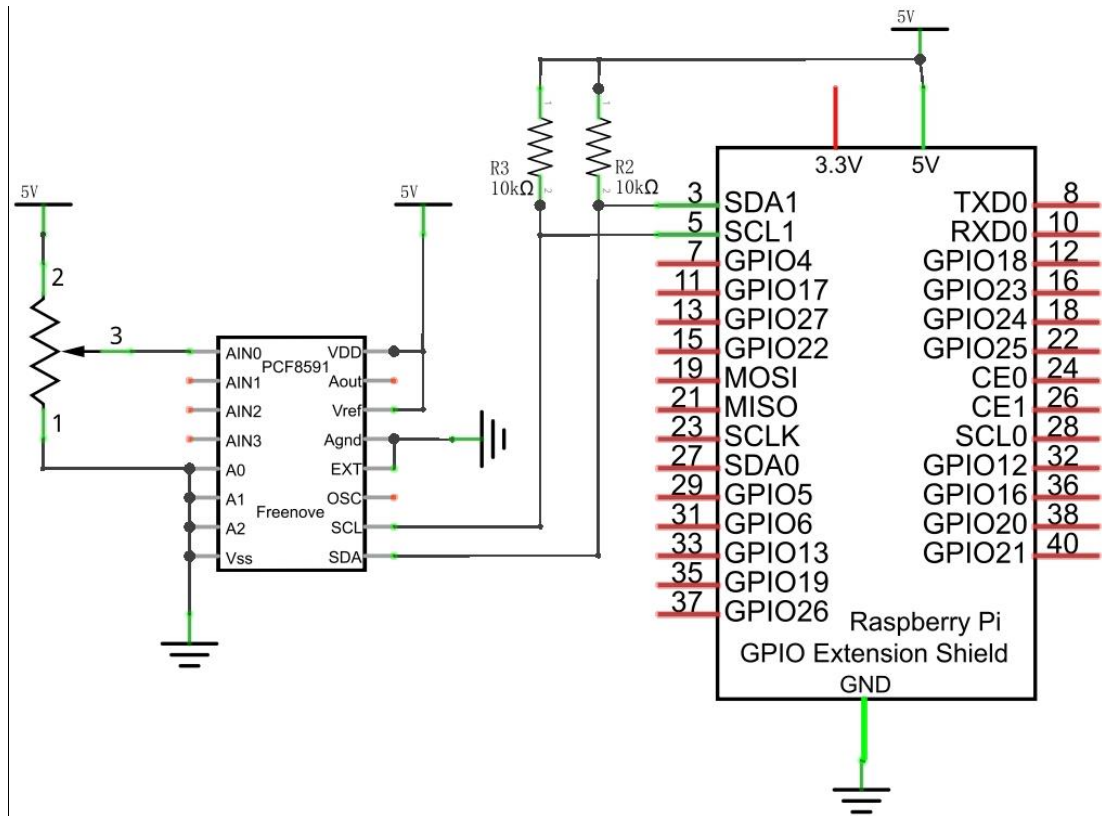
Component List

Raspberry Pi x1 GPIO Extension Board & Wire x1 Breadboard x1	Jumper M/M 	
Rotary potentiometer x1 	ADC module x1  or	Resistor 10kΩ x2 

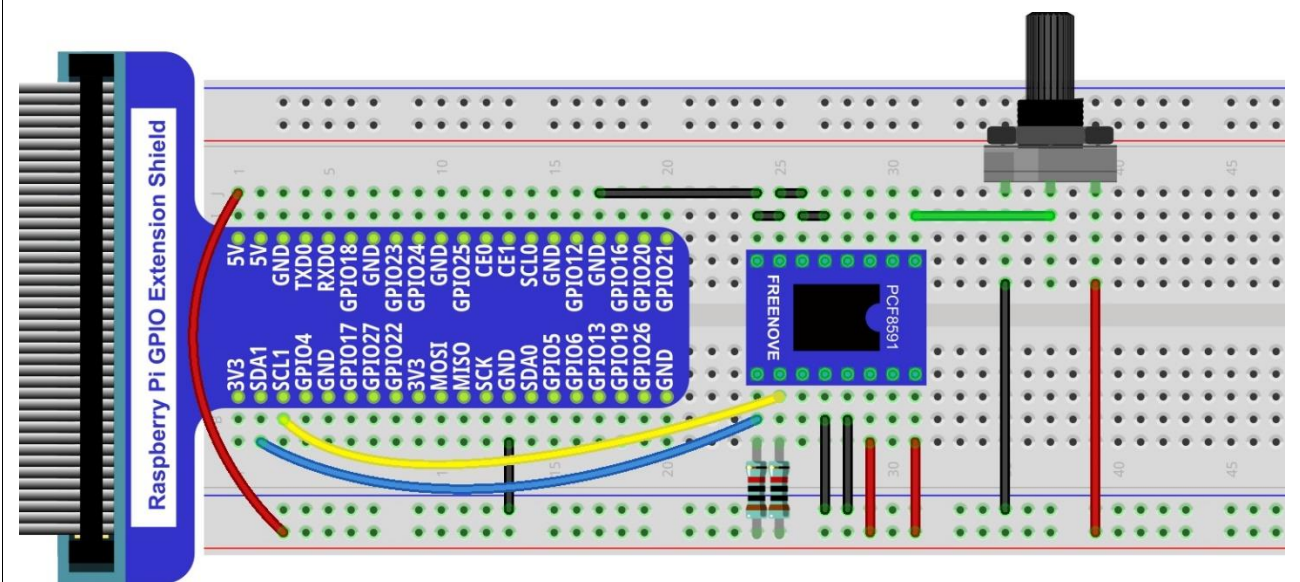
Circuit with PCF8591

Note that the power supply voltage of ADC module in this circuit is 5V.

Schematic diagram



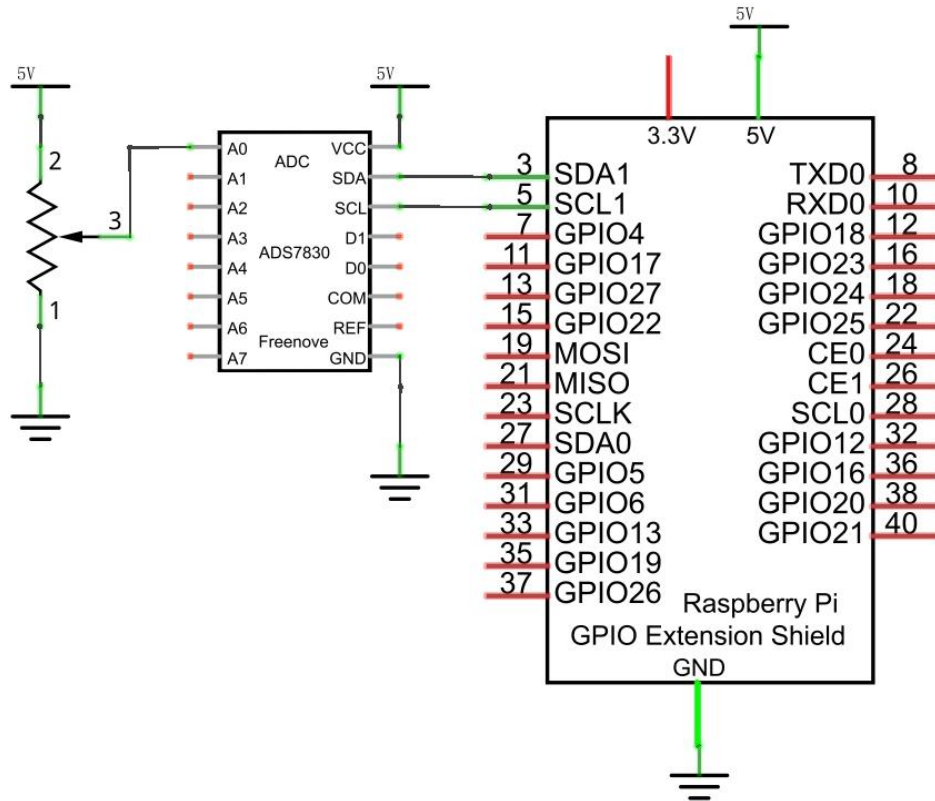
Hardware connection



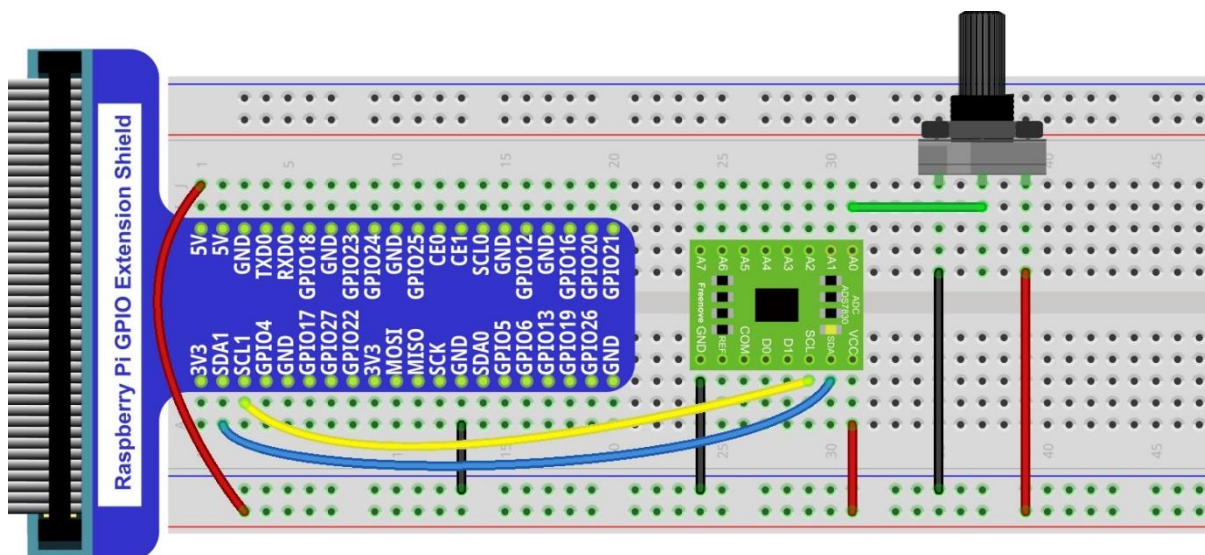
Circuit with ADS7830

Note that the power supply voltage of ADC module in this circuit is 5V.

Schematic diagram



Hardware connection



Sketch

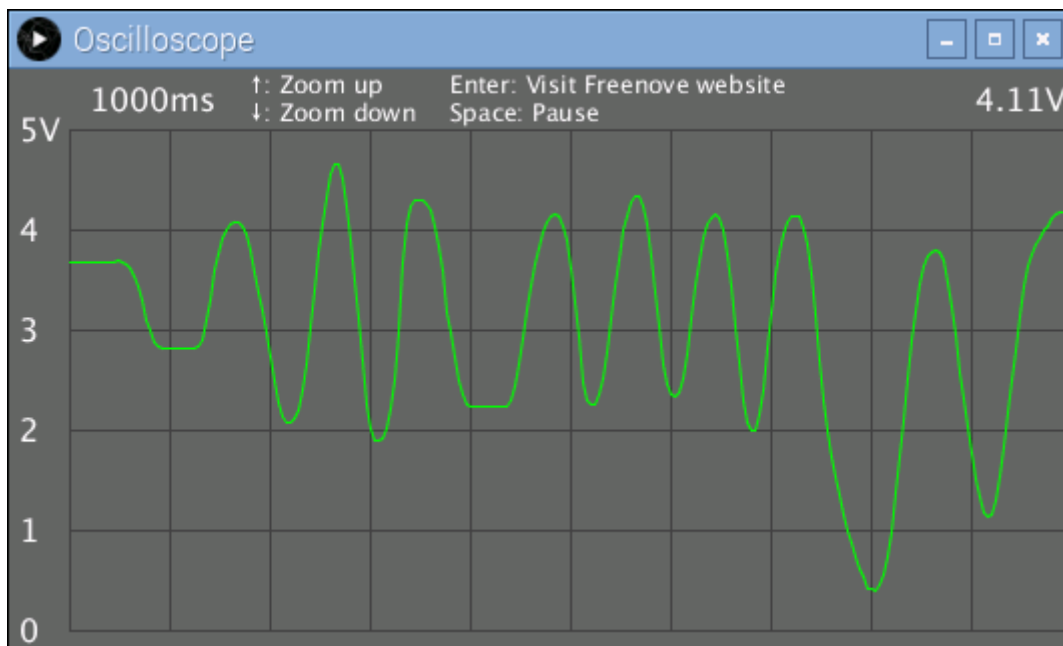
Sketch 1.1.1 Oscilloscope

1. Use Processing to open the file Sketch_01_1_1_ Oscilloscope.

```
processing
~/Freenove_Kit/Processing/Apps/App_01_1_1_Oscilloscope/App_01_1_1_Oscilloscope.pde
```

2. Click on "RUN" to run the code.

After the program is executed, Display Window displays as follows. Rotating potentiometer can make the following waveform.



The left side of the software interface is a voltage scale, which is used to indicate the voltage of the waveform. The "1000ms" on top left corner is the time of a square, and you can press "↑" and "↓" key on keyboard to adjust it.

The "0.00V" on top right corner is the voltage value of current signal.

You can press the space bar on keyboard to pause the display of waveform, which is easy to view and analysis.

We believe that with the help of this oscilloscope, you can have a more intuitive understanding of the actual work of some electronic circuits. It will help you complete the project and facilitate troubleshooting.. You can export this sketch to an application used as a tool.


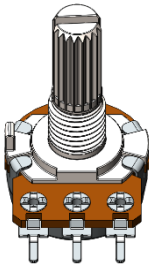
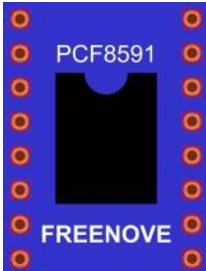
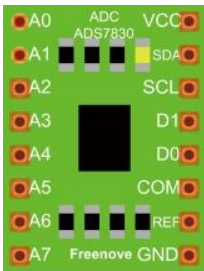

App 2 Control Graphics

In this chapter, we will use a potentiometer to make the graphics change in Processing.

App 2.1 Ellipse

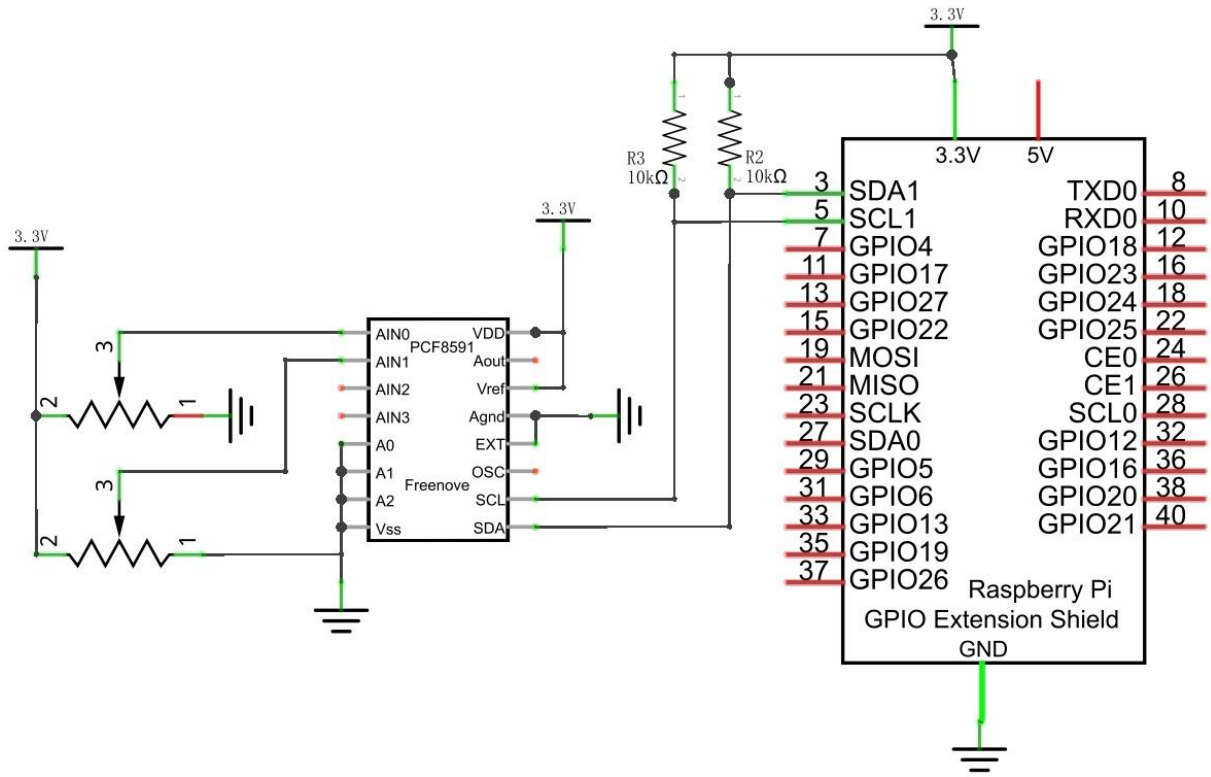
This project uses two potentiometers to control the size and shape of an ellipse respectively.

Component List

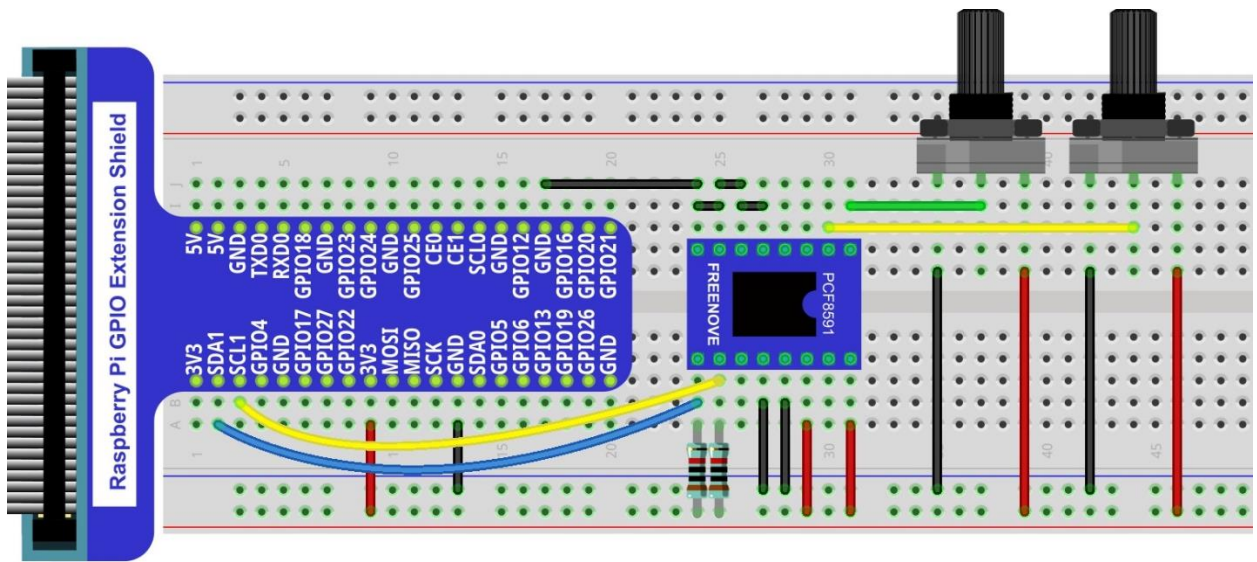
Raspberry Pi x1 GPIO Extension Board & Wire x1 Breadboard x1	Jumper M/M 	
Rotary potentiometer x2 	ADC module x1  or 	Resistor 10kΩ x2 

Circuit with PCF8591

Schematic diagram

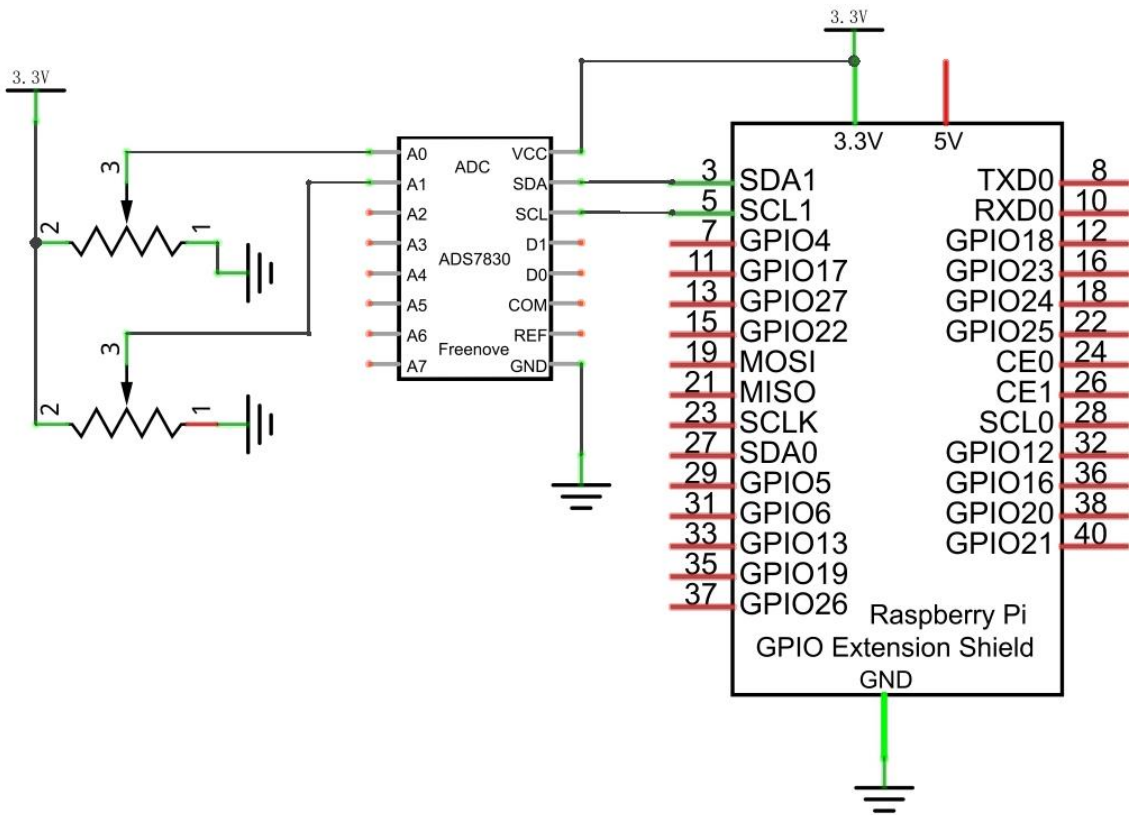


Hardware connection

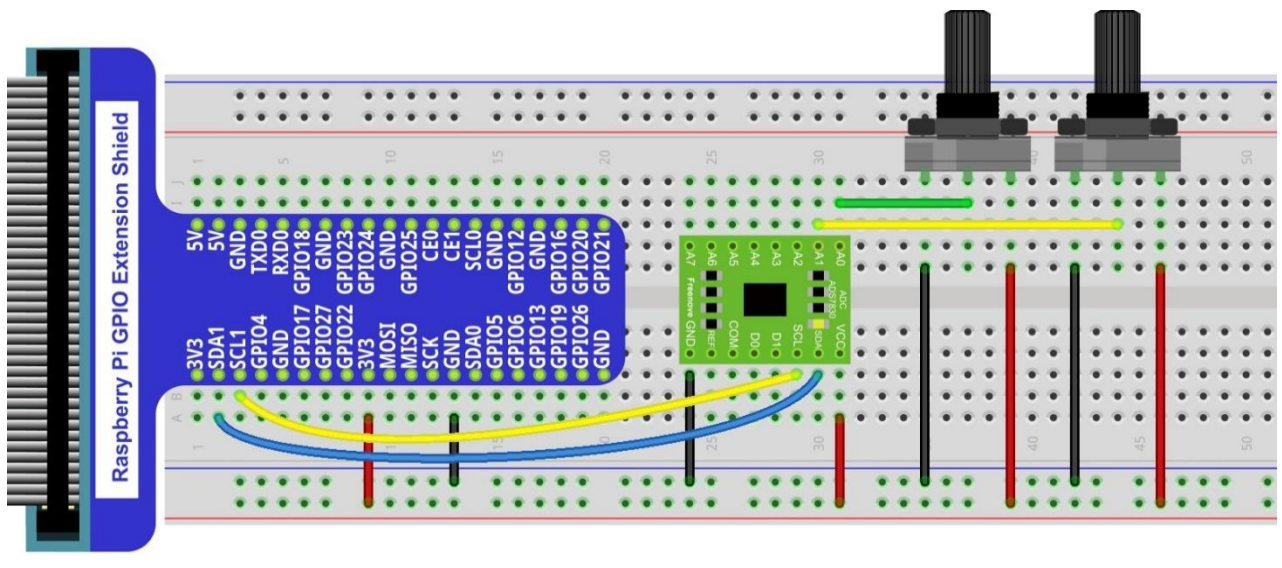


Circuit with ADS7830

Schematic diagram



Hardware connection



Sketch

Sketch 2.1.1 Ellipse

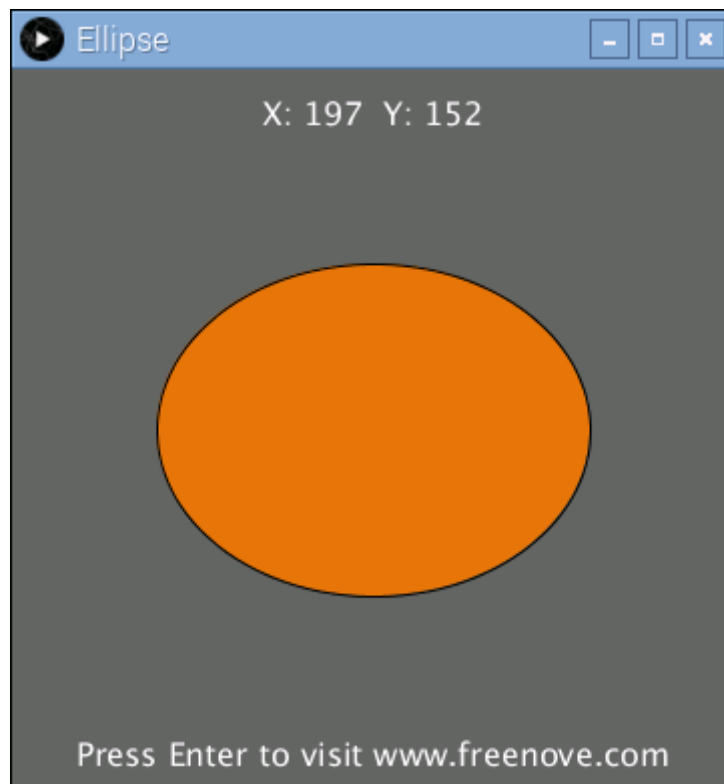
1. Use Processing to open the file Sketch_02_1_1_Ellipse.

processing

```
~/Freenove_Kit/Processing/Apps/App_02_1_1_Ellipse/App_02_1_1_Ellipse.pde
```

2. Click on "RUN" to run the code.

After the program is executed, Display Window displays as below. Rotating potentiometer can change the shape and size of the ellipse.




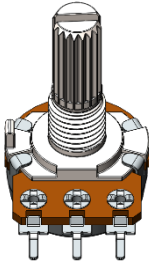
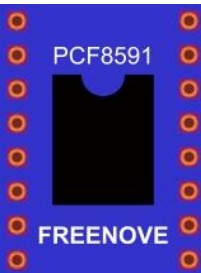
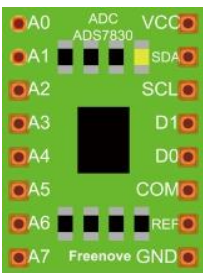

App 3 Pong Game

In this chapter, we will play a Pong Game.

App 3.1 Pong Game

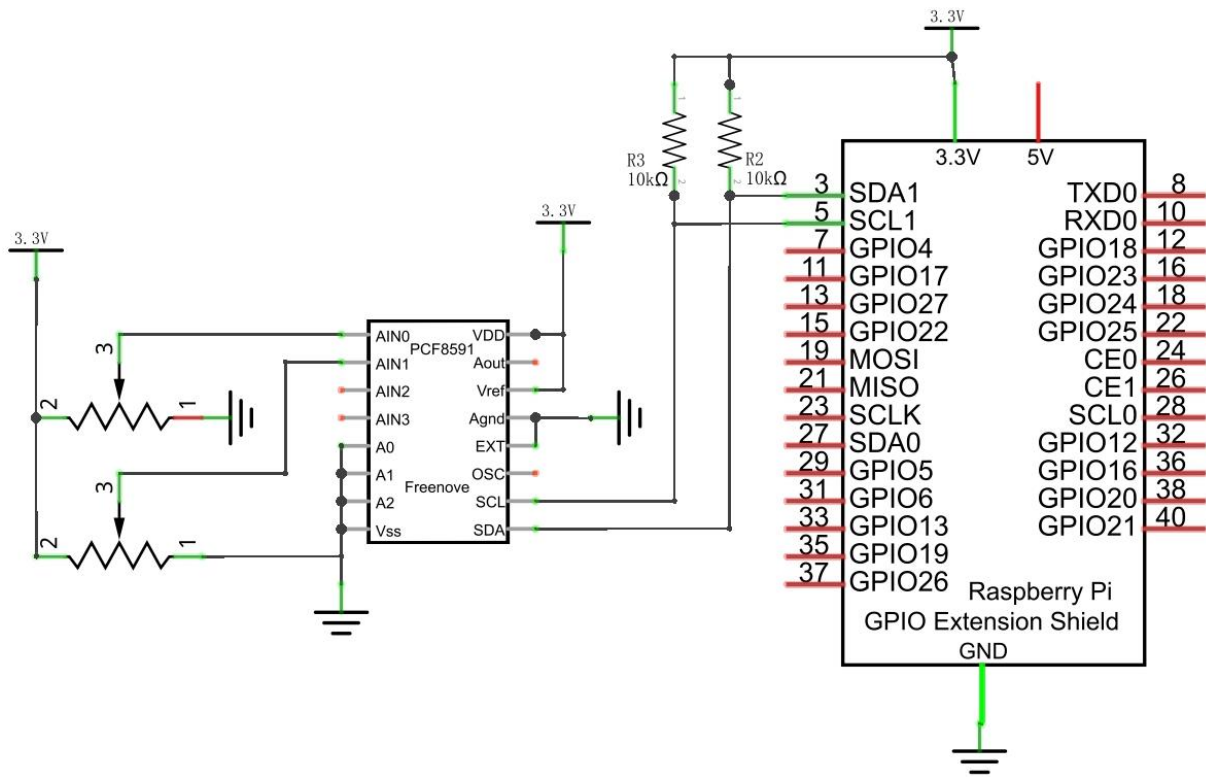
Now, let's create and experience our own game.

Component List

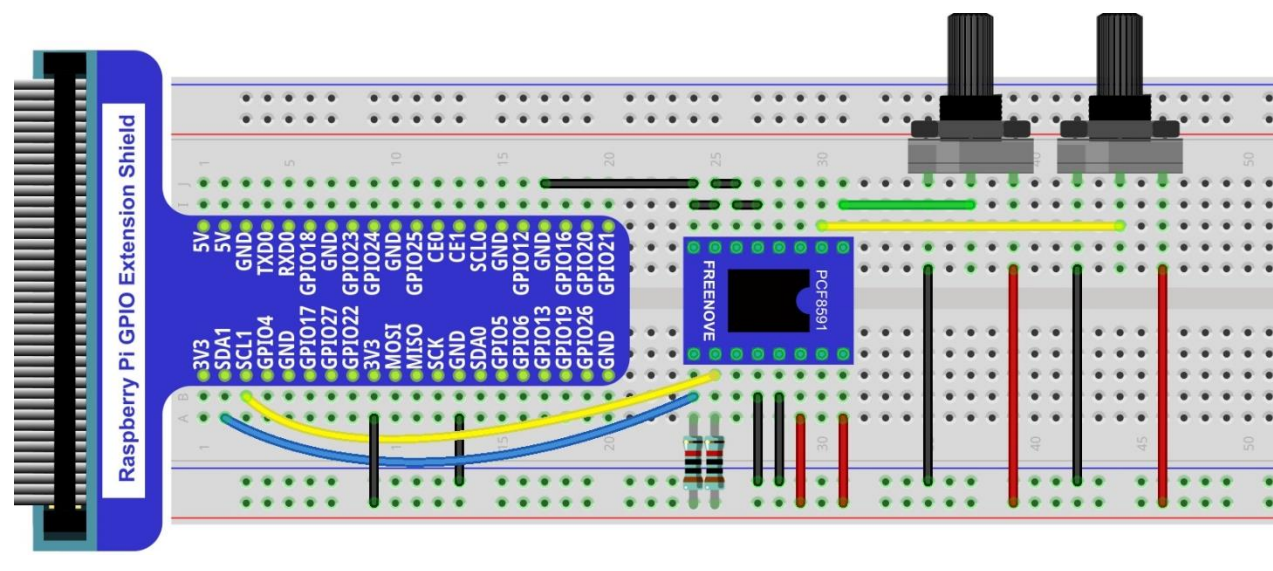
Raspberry Pi x1 GPIO Extension Board & Wire x1 Breadboard x1	Jumper M/M 	
Rotary potentiometer x2 	ADC module x1  or 	Resistor 10kΩ x2 

Circuit with PCF8591

Schematic diagram

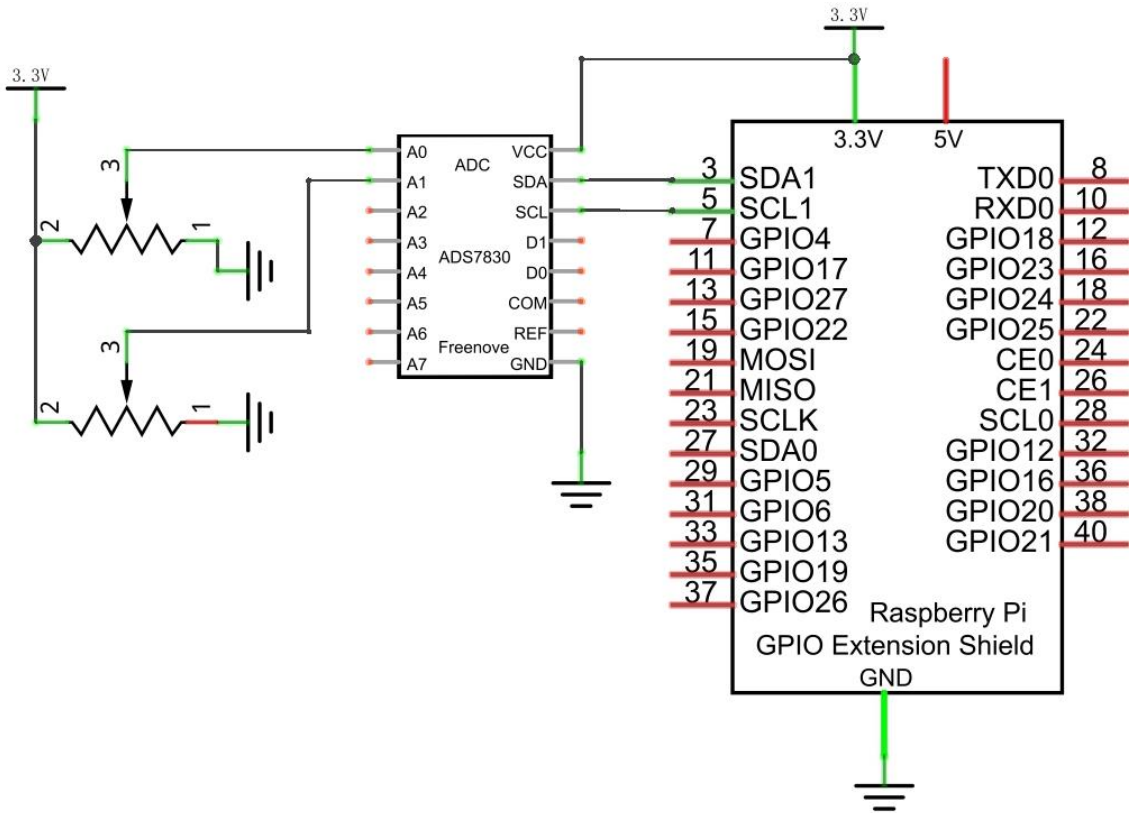


Hardware connection

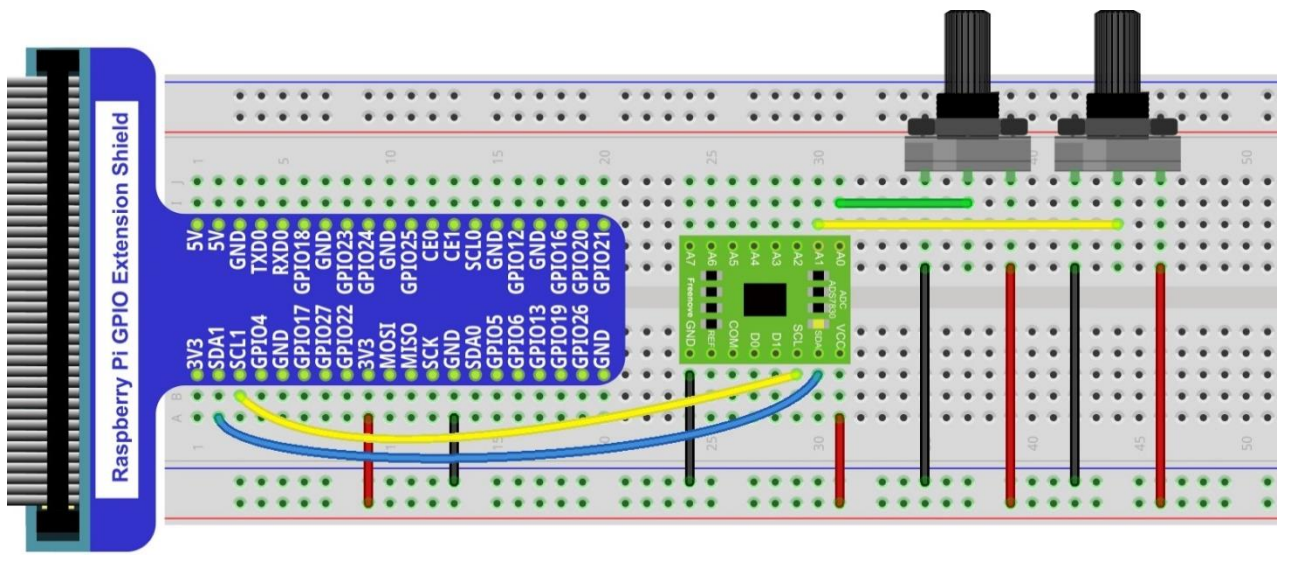


Circuit with ADS7830

Schematic diagram



Hardware connection



Sketch

Sketch 3.1.1 PongGame

1. Use Processing to open the file Sketch_03_1_1_PongGame.

```
processing
```

```
~/Freenove_Kit/Processing/Apps/App_03_1_1_PongGame/App_03_1_1_PongGame.pde
```

2. Click on "RUN" to run the code.

After the program is executed, Display Window displays as below.



Pressing the space bar keyboard can start the game. Then you can try to rotate the potentiometer to control the movement of paddles:



Use potentiometer to control the movement of paddle to hit back the ball. The rules are the same as the classic Pong game:



The game will be over when one side gets three points. Pressing the space can restart the game:



You can restart the game by pressing the space bar at any time during the game.




App 4 Snake Game

In this chapter, we will play a classic game, snake.

App 4.1 Snake Game

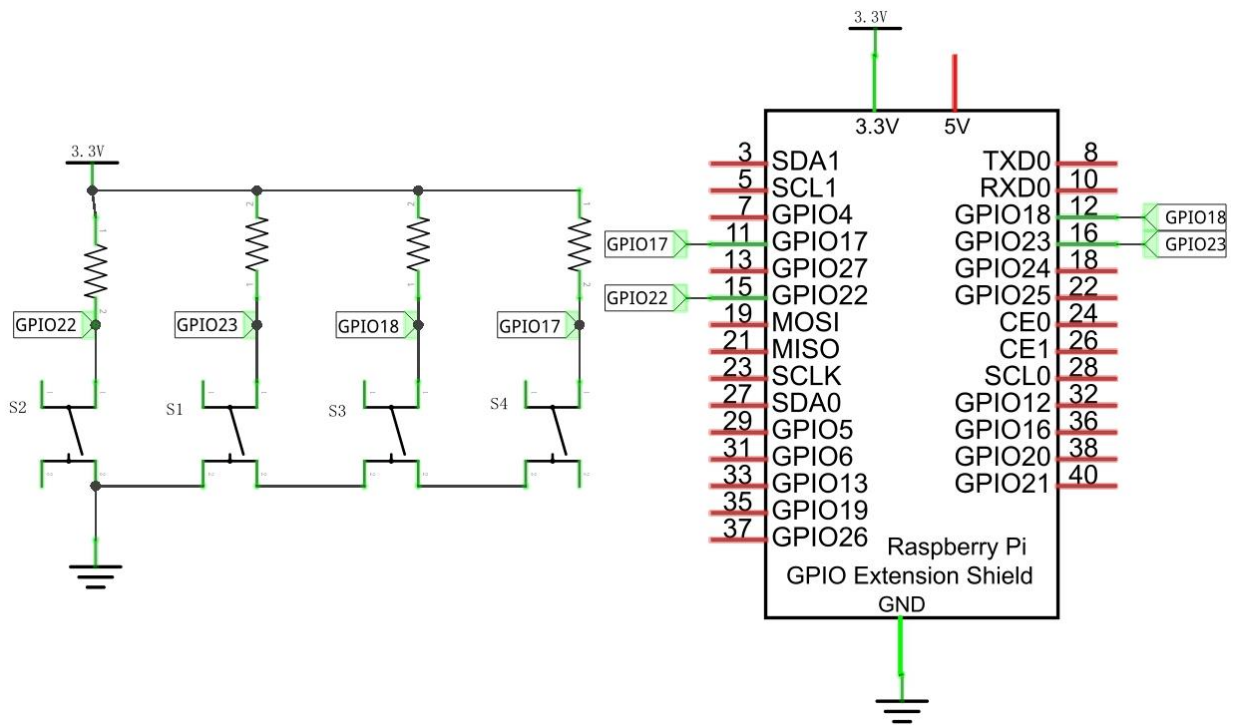
Now, let's create and experience our own game.

Component List

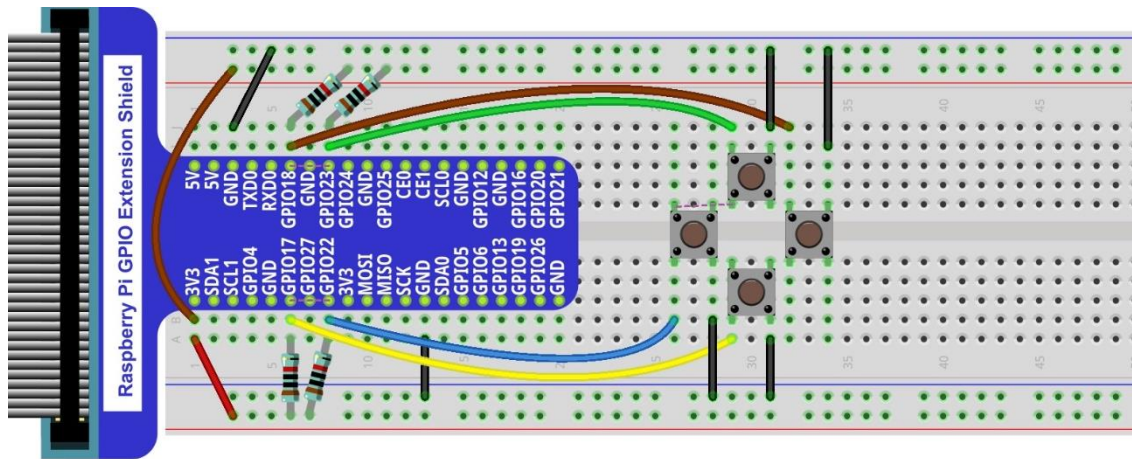
Raspberry Pi x1 GPIO Extension Board & Wire x1 Breadboard x1	Resistor 10K Ω x4 	Push button x4 
Jumper M/M x12 		

Circuit

Schematic diagram



Hardware connection



Sketch

Sketch 4.1.1 SnakeGame

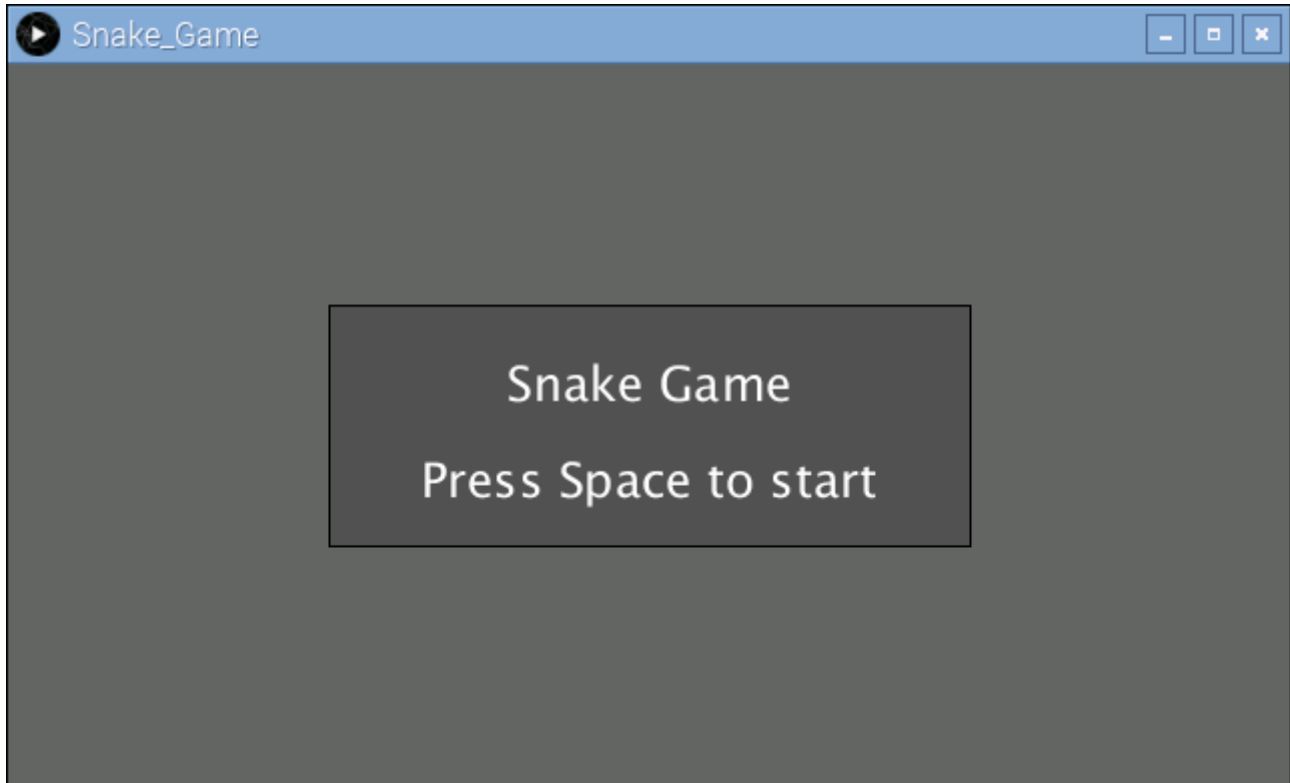
1. Use Processing to open the file Sketch_04_1_1_SnakeGame.

```
processing
```

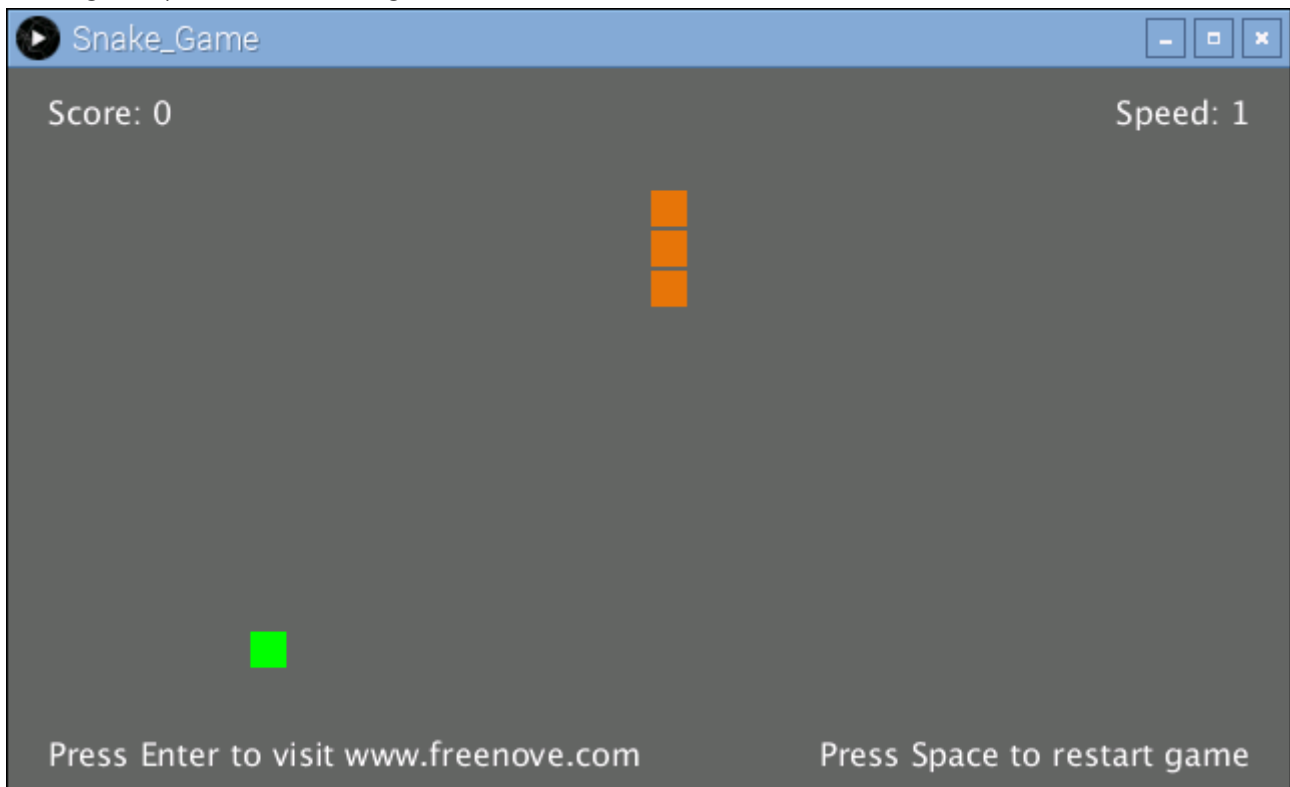
```
~/Freenove_Kit/Processing/Apps/App_04_1_1_SnakeGame/App_04_1_1_SnakeGame.pde
```

2. Click on "RUN" to run the code.

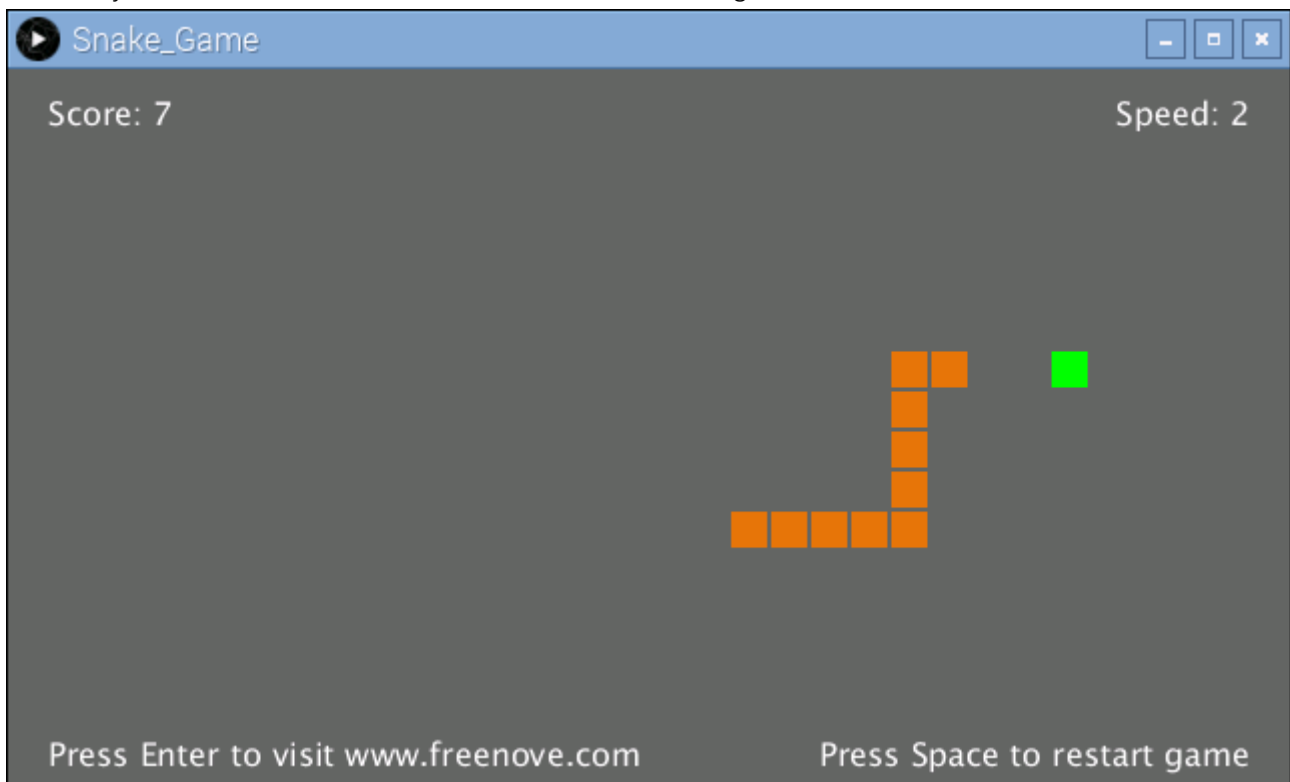
After the program is executed, Display Window displays as below.



Pressing the space can start the game:



You can control the movement direction of the snake through the four buttons in circuit or four arrow keys on the keyboard. The rules are the same as the classic Snake game:



When game is over, pressing the space can restart the game:



You can restart the game by pressing the space bar at any time during the game.




App 5 Tetris Game

In this chapter, we will play a game, Tetris game.

App 5.1 Tetris Game

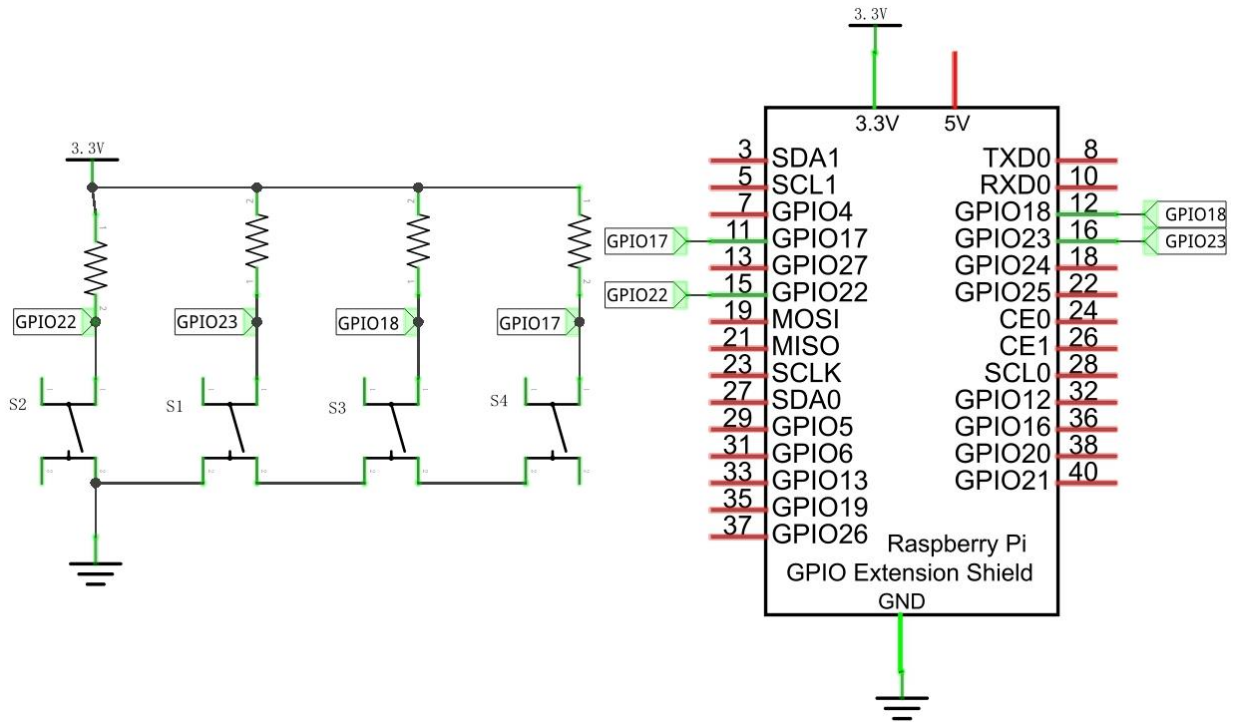
Now, let's create and experience our own game.

Component List

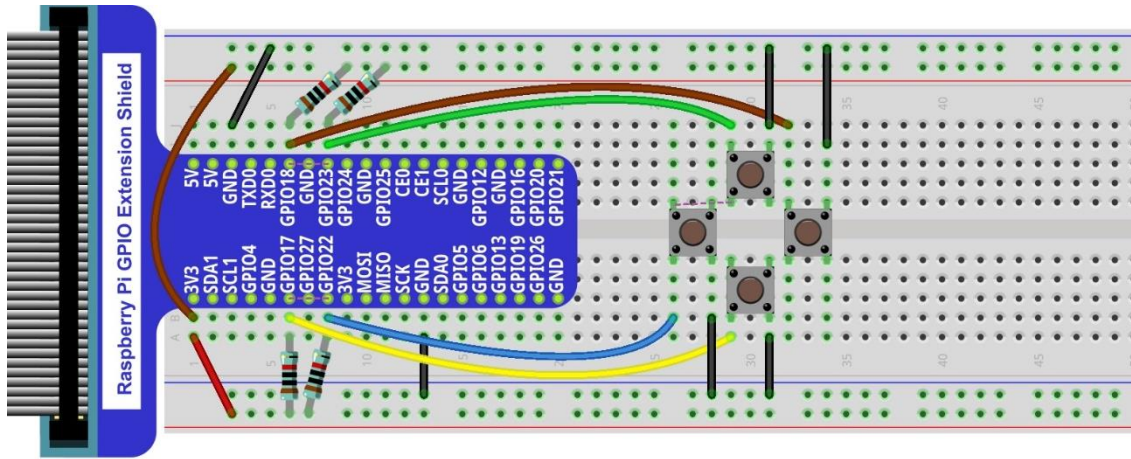
Raspberry Pi x1 GPIO Extension Board & Wire x1 Breadboard x1	Resistor 10K Ω x4 	Push button x4 
Jumper M/M x12 		

Circuit

Schematic diagram



Hardware connection



Sketch

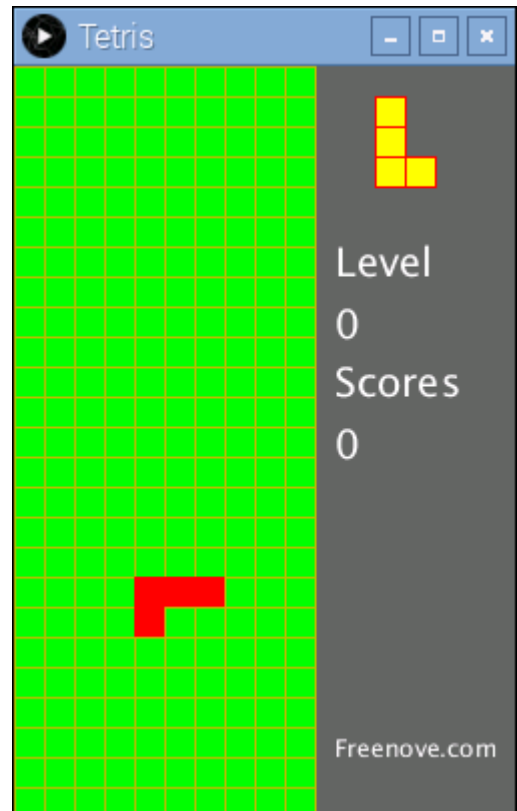
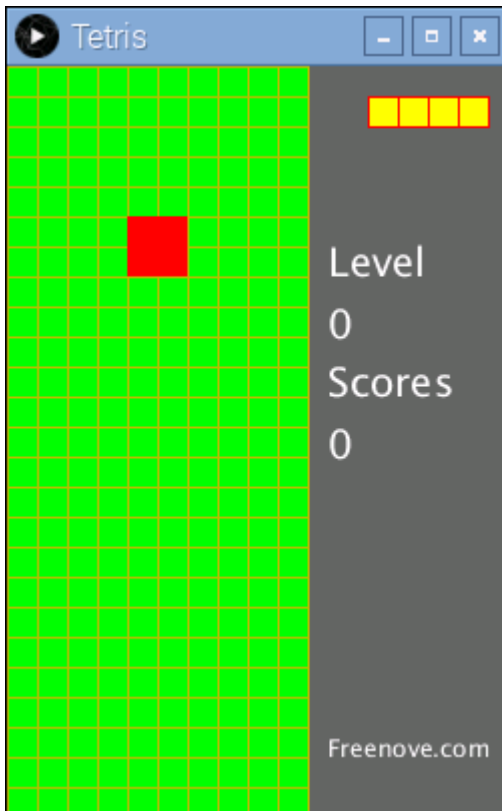
Sketch 5.1.1 TetrisGame

1. Use Processing to open the file Sketch_05_1_1_TetrisGame.

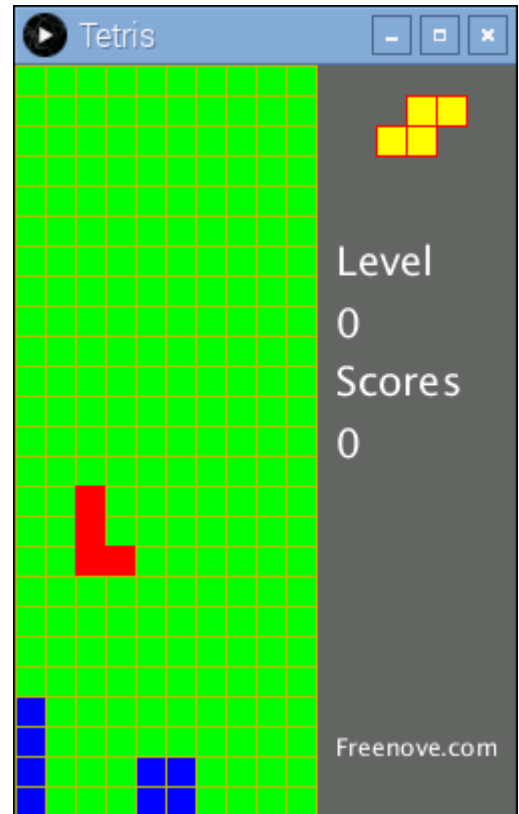
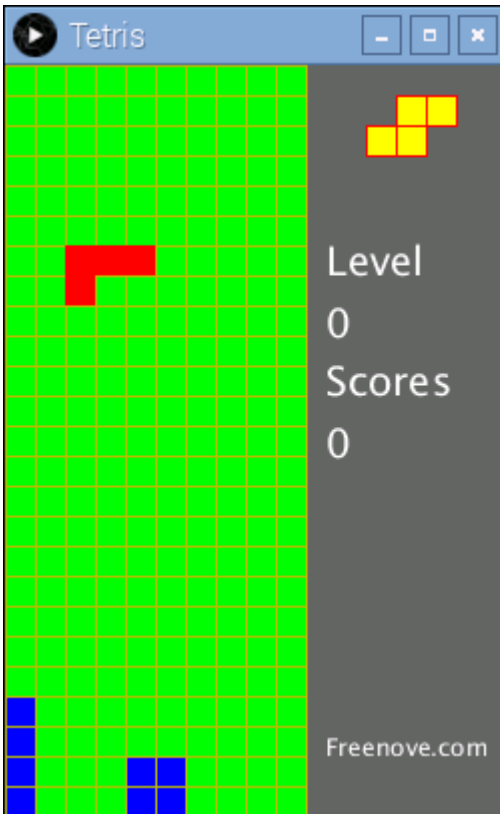
```
processing
~/Freenove_Kit/Processing/Apps/App_05_1_1_TetrisGame/App_05_1_1_TetrisGame.pde
```

2. Click on "RUN" to run the code.

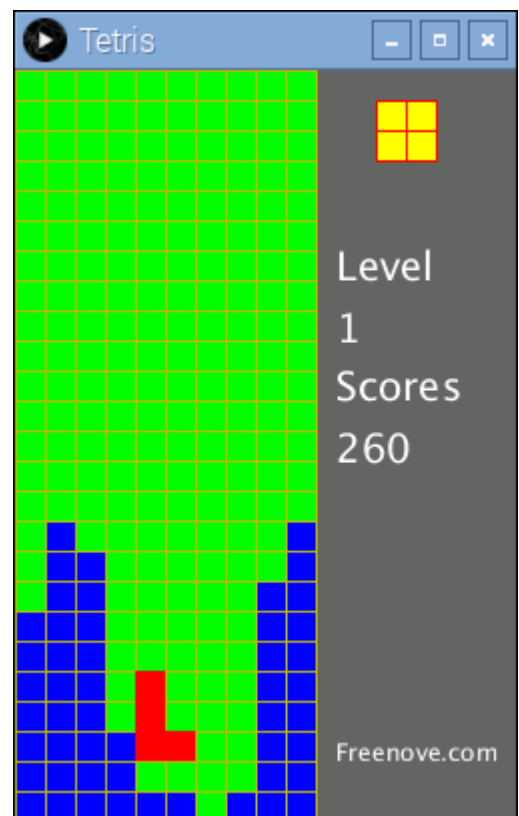
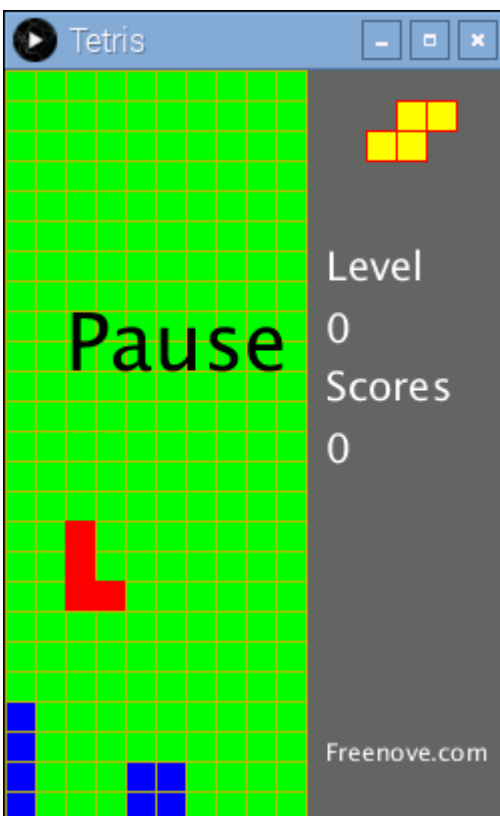
After the program is executed, Display Window displays as below.



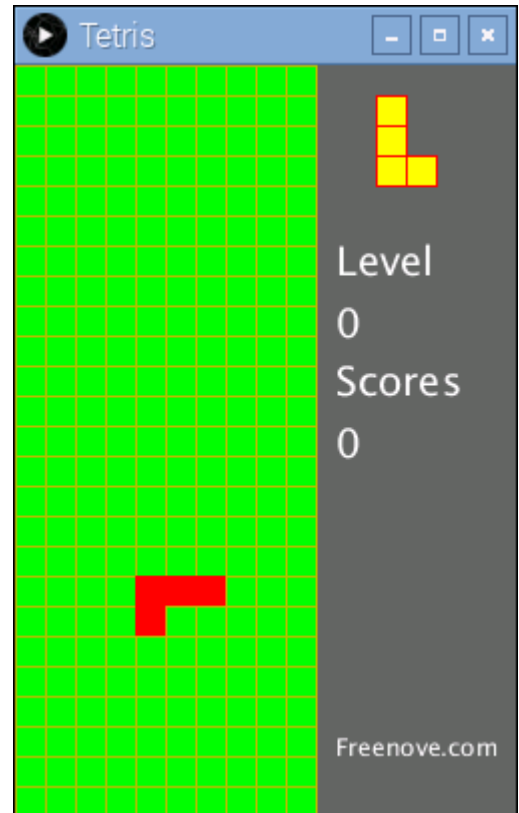
The left and right button in the circuit can control the movement of the falling block to left or right. And the button below can accelerate falling of the block. The button above is used for rotating of the block. Four direction keys on keyboard can also be used to play the game.



In the process of game, pressing the space bar on the keyboard can pause the game. The right side of the Display Window shows the upcoming block, the current game speed and the current score. The more lines you eliminate once, the higher the scores you will get. If you eliminate one line once, you will get 10 points. If you eliminate 4 lines once, you will get 70 points.



When the blocks are beyond the screen, the game is over. After the game is over, press the space bar to start a new game.



What's Next?

THANK YOU for participating in this learning experience!

We have reached the end of this Tutorial. If you find errors, omissions or you have suggestions and/or questions about the Tutorial or component contents of this Kit, please feel free to contact us: support@freenove.com

We will make every effort to make changes and correct errors as soon as feasibly possible and publish a revised version.

If you want to learn more about Arduino, Raspberry Pi, Smart Cars, Robotics and other interesting products in science and technology, please continue to visit our website. We will continue to launch fun, cost-effective, innovative and exciting products.

<http://www.freenove.com/>

Thank you again for choosing Freenove products.